



CII

TE Internal #: 1-1617004-0

Full-Size Relays, 2 Form C, DPDT, 2 C/O, Silver Cadmium Oxide, 26.5 VDC Input, 10 A, 26.5 VDC Coil Voltage, 300 Ω Coil Resistance

[View on TE.com >](#)

Relays, Contactors & Switches > Relays > Mil-Aero Relays > Full-Size Relays



Full-Size Relay Contact Arrangement: **2 Form C, DPDT, 2 C/O**

Contact Base Material: **Silver Cadmium Oxide**

Full-Size Relay Input Voltage: **26.5 VDC**

Full-Size Relay Contact Current Rating: **10 A**

Coil Voltage: **26.5 VDC**

Features

Product Type Features

Enclosure Type	Hermetically Sealed
Coil Latching	Without
Product Type	Relay
Relay Type	Military/Aerospace High Performance
MOSFET Driver	Without

Configuration Features

Transistor Driver	Without
-------------------	---------

Electrical Characteristics

Actuating System	DC
Vibration	20G's, 10 – 2000Hz
Coil Magnetic System	Non-Polarized, Monostable
Shock	100G's, 6ms
Coil Suppression Diode	Without
Coil Polarity Protection Diode	Without
Full-Size Relay Input Voltage	26.5 VDC
Coil Voltage	26.5 VDC
Full-Size Relay Coil Resistance	300 Ω
Full-Size Relay Coil Power Rating (DC)	2340 mW



Coil Power Measurement	Milliwatts
------------------------	------------

Full-Size Relay Contact Switching Voltage (Max)	28 VDC
---	--------

Contact Features

Full-Size Relay Contact Arrangement	2 Form C, DPDT, 2 C/O
-------------------------------------	-----------------------

Contact Base Material	Silver Cadmium Oxide
-----------------------	----------------------

Full-Size Relay Contact Current Rating	10 A
--	------

Termination Features

Termination Type	Socket Pins
------------------	-------------

Mechanical Attachment

Full-Size Relay Mounting Type	Plain Case
-------------------------------	------------

Usage Conditions

Operating Temperature Range	-65 – 125 °C
-----------------------------	--------------

Product Compliance

[For compliance documentation, visit the product page on TE.com>](#)

EU RoHS Directive 2011/65/EU	Not Compliant
------------------------------	---------------

EU ELV Directive 2000/53/EC	Not Compliant
-----------------------------	---------------

China RoHS 2 Directive MIIT Order No 32, 2016	Restricted Materials Above Threshold
---	--------------------------------------

EU REACH Regulation (EC) No. 1907/2006	Current ECHA Candidate List: JUNE 2022 (224) Candidate List Declared Against: JAN 2022 (223) Does not contain REACH SVHC
--	--

Halogen Content	Not Yet Reviewed for halogen content
-----------------	--------------------------------------

Solder Process Capability	Not applicable for solder process capability
---------------------------	--

Product Compliance Disclaimer

This information is provided based on reasonable inquiry of our suppliers and represents our current actual knowledge based on the information they provided. This information is subject to change. The part numbers that TE has identified as EU RoHS compliant have a maximum concentration of 0.1% by weight in homogenous materials for lead, hexavalent chromium, mercury, PBB, PBDE, DBP, BBP, DEHP, DIBP, and 0.01% for cadmium, or qualify for an exemption to these limits as defined in the Annexes of Directive 2011/65/EU (RoHS2). Finished electrical and electronic equipment products will be CE marked as required by Directive 2011/65/EU. Components may not be CE marked. Additionally, the part numbers that TE has identified as EU ELV compliant have a maximum concentration of 0.1% by weight in homogenous materials for lead, hexavalent chromium, and mercury, and 0.01% for cadmium, or qualify for an exemption to these limits as defined in the Annexes of Directive 2000/53/EC (ELV). Regarding the REACH Regulation, the information TE provides on SVHC in articles for this part number is based on the latest European Chemicals Agency (ECHA) 'Guidance on requirements for substances in articles' posted at this URL: <https://echa.europa.eu/guidance-documents/guidance-on-reach>

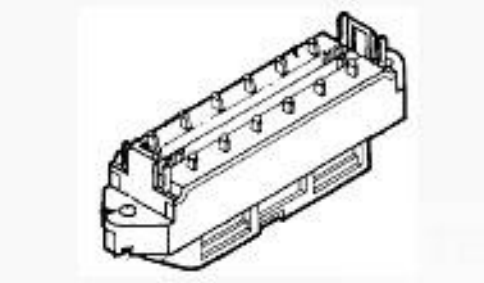


Compatible Parts



TE Part # 1617786-6
FCA-410-1620L=M83536/16-020L

Customers Also Bought



TE Part #553603-1
RCPT ASSY,50 POSN,SCR LK,L PF



TE Part #1419111-2
20C217=SPRING,HOLD-DOWN,KH,.03



TE Part #35184
TERMINAL,SOLIS R 2 3/8



TE Part #F01667-000
WP-191064-10-9




TE Part #601967-1
CRIMPING TOOL M22520/1-01




TE Part #1617030-2
HFW1201B00 = HFW 1/2 SIZE RELA



TE Part #CTJ-3D-05
RAIL ASSY



TE Part #5-1393159-0
20C419=SPRING,HOLD-DOWN,,.025



TE Part #7218310001
RPS-2.5K-18-12/2.0-S1-9

Documents

[CAD Files](#)

[3D PDF](#)

[3D](#)

[Customer View Model](#)

[ENG_CVM_CVM_1-1617004-0_T.2d_dxf.zip](#)

[English](#)

[Customer View Model](#)



[ENG_CVM_CVM_1-1617004-0_T.3d_igs.zip](#)

English

Customer View Model

[ENG_CVM_CVM_1-1617004-0_T.3d_stp.zip](#)

English

By downloading the CAD file I accept and agree to the [Terms and Conditions](#) of use.

Datasheets & Catalog Pages

[5-1773450-5_sec1_07](#)

English

RELAY

English

X-ON Electronics

Largest Supplier of Electrical and Electronic Components

Click to view similar products for [Industrial Relays](#) category:

Click to view products by [TE Connectivity](#) manufacturer:

Other Similar products are found below :

[6-1617801-8](#) [6-1618107-9](#) [7-1618273-3](#) [EV250-4A-02](#) [EV250-6A-01](#) [FCA-125-CX8](#) [FCA-325-159](#) [FCA-410-138](#) [GCA63A220VAC60HZ](#)
[GCA63A600VAC60HZ](#) [1-1672275-3](#) [1-1833005-4](#) [H-16/S1](#) [H-8C](#) [ACC530U20](#) [RF303ZM4-12](#) [DH18DA](#) [RM699BV-3011-85-1005](#) [AR4-](#)
[15F13-C01](#) [AR7-41F11](#) [AVR907](#) [15732A200](#) [B329](#) [B490A](#) [1618279-1](#) [BHR124Y](#) [N417](#) [2071229-4](#) [P30C42A12D1-120](#) [2-1618375-1](#) [2-](#)
[1618396-6](#) [2-1618398-1](#) [JMAPD-5XL](#) [JMGACD-5M](#) [JMGSCD-5L](#) [K8DSPH1200480VAC](#) [KA-3C-12A](#) [2307497](#) [RT334012WG](#) [SAH159](#)
[301-17SX](#) [SL6H3-26.5VDC](#) [1618105-2](#) [1618112-6](#) [1618113-5](#) [1618276-6](#) [A837D](#) [A862B1](#) [ACC530U10](#) [ACC730-8025B](#)