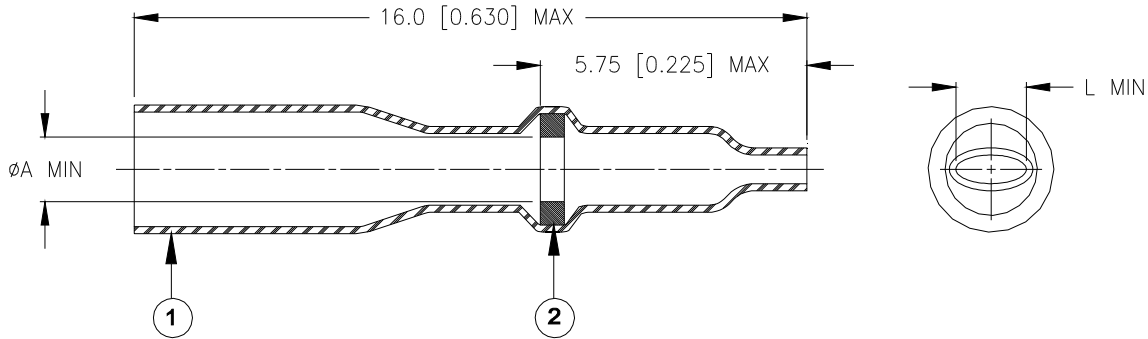


SPECIFICATION CONTROL DRAWING



Product Revision		Product Dimensions		Wire and Pin Dimensions			
Product Name		ϕA min	L min	ϕB max	ϕC		ϕD max
					min	max	
B-155-1501	A	1.5 [0.060]	1.5 [0.060]	2.0 [0.080]	0.9 [0.035]	1.5 [0.060]	0.6 [0.025]
B-155-1502	A	2.3 [0.090]	2.3 [0.090]	2.9 [0.115]	1.1 [0.045]	2.3 [0.090]	0.9 [0.035]
B-155-1503	A	2.8 [0.110]	2.8 [0.110]	3.2 [0.125]	1.6 [0.065]	2.8 [0.110]	1.2 [0.045]
B-155-1504	A	3.8 [0.150]	3.8 [0.150]	4.5 [0.180]	1.8 [0.070]	3.8 [0.150]	1.5 [0.060]

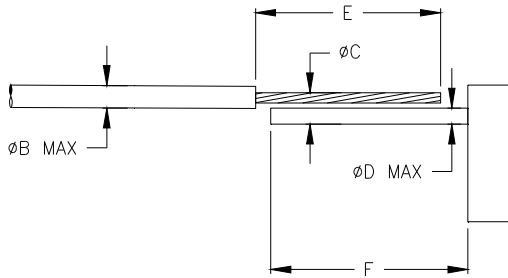
MATERIALS

- INSULATION SLEEVE: Heat-shrinkable, transparent clear, radiation cross-linked modified polyolefin.
- SOLDER PREFORM WITH FLUX:
 - SOLDER: TYPE Sn42Bi58 per ANSI / J-STD-006.
 - FLUX: TYPE ROM1 per ANSI / J-STD-004.

APPLICATION



- These controlled soldering devices are designed for termination of a wire to the lead of electrical component or to the terminal of a connector.
- Temperature range: -55°C to +125°C.
- For installation procedure and application equipment, consult RPIP-824-00

For best results, prepare the wire as shown:



Stripping Dimensions:

- Wires smaller than AWG 18:
 - E: 6.5 ± 0.5 [0.256 \pm 0.020]
 - F: 8.0 ± 0.5 [0.315 \pm 0.020]
- Wires AWG 18 and larger:
 - E: 9.5 ± 0.5 [0.374 \pm 0.020]
 - F: 11.0 ± 0.5 [0.433 \pm 0.020]

		TE Connectivity 300 Constitution Drive, Menlo Park, CA. 94025, U.S.A.				TITLE: SOLDERSLEEVE ONE-STEP WIRE TERMINATOR, LOW TEMPERATURE							
Unless otherwise specified dimensions are in millimeters. [Inches dimensions are shown in brackets]						DOCUMENT NO.: B-155-150X							
TOLERANCES: 0.00 N/A 0.0 N/A 0 N/A		ANGLES: N/A ROUGHNESS IN MICRON		TE Connectivity reserves the right to amend this drawing at any time. Users should evaluate the suitability of the product for their application.		PROD. REV.: SEE TABLE		DOC. ISSUE: 2		DATE: 16-Apr-11			
PREPARED BY: mforonda		DCR NUMBER: D050256				REPLACES: ---		CAGE CODE: 06090		SCALE: ---		SIZE: A	

Print Date: 9-May-11

© 2011 Tyco Electronics Corporation, a TE Connectivity Ltd. Company. All Rights Reserved.

If this document is printed it becomes uncontrolled. Check for the latest revision.

X-ON Electronics

Largest Supplier of Electrical and Electronic Components

Click to view similar products for [Solder Sleeves & Shield Tubing](#) category:

Click to view products by [TE Connectivity](#) manufacturer:

Other Similar products are found below :

[899170-000](#) [620040N001](#) [620069N003](#) [CTA-0050-01](#) [629624-000](#) [6500750004](#) [6501390002](#) [CX0781-000](#) [696396-000](#) [697080-000](#) [D-150-0331CS2902](#) [D-181-1222-90/9CS2800](#) [D-300-01CS1108](#) [715325N001](#) [908357N001](#) [982127-1](#) [D-436-0182CS246](#) [D-436-37CS2651](#) [D-436-61CS246](#) [D-436-82-CS2621](#) [D-659-0087](#) [E53797N001](#) [CB0213-000](#) [CB0219-000](#) [S200-2-01](#) [S200-4-00CS2904](#) [LSS-81-16AA-CS5575](#) [ST18-2-00](#) [FLX40-020-04-CS8651](#) [325534-000](#) [CTA-0025](#) [D-108-07CS436](#) [D-128-0010](#) [D-141-0108CS404](#) [D-144-41CS1371](#) [D-150-0231-NRCS2896](#) [D-150-1011](#) [395947-000](#) [427243N001](#) [B-801-18-01](#) [C67137-000](#) [CB0220-000](#) [D-436-0185CS1102](#) [D-436-36CS2908](#) [D-436-37CS2908](#) [D-436-52CS246](#) [D-436-83CS2705](#) [D44133N001](#) [LSS-26-8A](#) [626168-000](#)