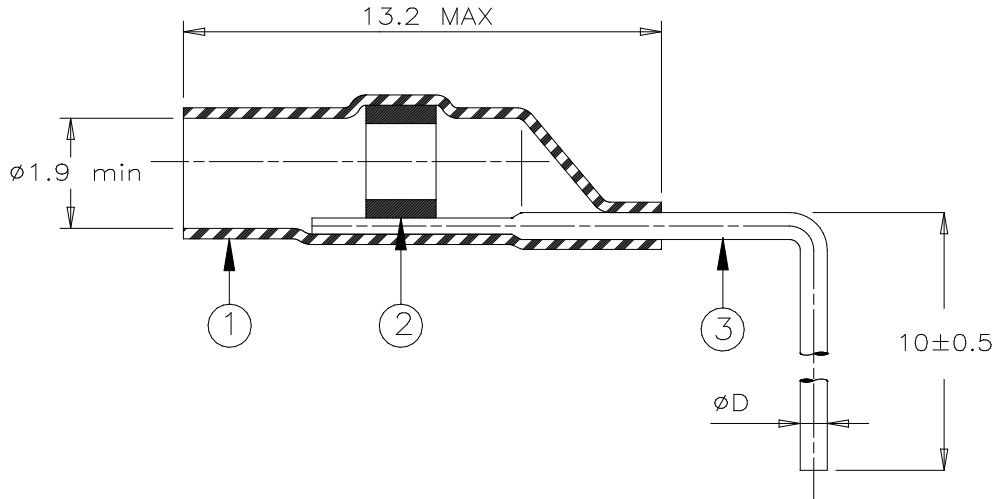


CUSTOMER DRAWING



Product Name	ϕD	ϕX
B-801-06	0.68	0.8
B-801-08	0.88	1

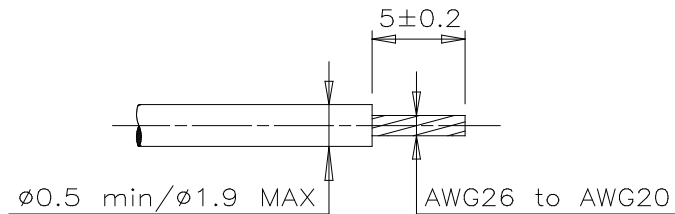
MATERIALS


1. INSULATION SLEEVE: Heat-shrinkable, transparent blue, radiation cross-linked modified polyvinylidene fluoride.
2. SOLDER PREFORM WITH FLUX:
 SOLDER: TYPE Sn62 Pb36 Ag2 per ANSI-J-STD-006.
 FLUX: TYPE ROL0 per ANSI-J-STD-004.
3. PIN: Phosphor bronze coated with Sn60 Pb40 solder alloy.

APPLICATION

1. These controlled soldering devices are designed for termination of a tin or silver plated stranded AWG26, AWG24 and AWG22 conductor having an insulation rated for at least +125°C on a PC board with ϕX diameter hole. If AWG20 wire is used, pre-tinning is recommended.
2. Temperature range: -55°C to +150°C. For application tooling, contact your local TE Connectivity technical service.

For best results, prepare the wire as shown:



		Raychem THERMOFIT DEVICES		TITLE: PINPAK* DEVICE FOR PCB TERMINATION		
Unless otherwise specified dimensions are in millimeters. [Inches dimensions are shown in brackets]				DOCUMENT NO.: B-801-0X		
TOLERANCES: 0.00 N/A 0.0 N/A 0 N/A		ANGLES: N/A ROUGHNESS IN MICRON		TE Connectivity reserves the right to amend this drawing at any time. Users should evaluate the suitability of the product for their application.		REV: 3
DATE: 22-Mar-1999		ECO: ECO-20-003687		DATE: 09-Mar-2020		SCALE: NTS
DRAWN BY: M. FORONDA		SHEET: 1 of 1		SIZE: A		

© 09-Mar-2020 Tyco Electronics Corporation. All rights reserved.

If this document is printed it becomes uncontrolled. Check for the latest revision.

*TE Connectivity, TE connectivity (logo), Raychem, THERMOFIT, SolderSleeve are trademarks

X-ON Electronics

Largest Supplier of Electrical and Electronic Components

Click to view similar products for [Solder Sleeves & Shield Tubing](#) category:

Click to view products by [TE Connectivity](#) manufacturer:

Other Similar products are found below :

[899170-000](#) [620040N001](#) [620069N003](#) [CTA-0050-01](#) [629624-000](#) [6500750004](#) [6501390002](#) [CX0781-000](#) [696396-000](#) [697080-000](#) [D-150-0331CS2902](#) [D-181-1222-90/9CS2800](#) [D-300-01CS1108](#) [715325N001](#) [908357N001](#) [982127-1](#) [D-436-0182CS246](#) [D-436-37CS2651](#) [D-436-61CS246](#) [D-436-82-CS2621](#) [D-659-0087](#) [E53797N001](#) [CB0213-000](#) [CB0219-000](#) [S200-2-01](#) [S200-4-00CS2904](#) [LSS-81-16AA-CS5575](#) [ST18-2-00](#) [FLX40-020-04-CS8651](#) [325534-000](#) [CTA-0025](#) [D-108-07CS436](#) [D-128-0010](#) [D-141-0108CS404](#) [D-144-41CS1371](#) [D-150-0231-NRCS2896](#) [D-150-1011](#) [395947-000](#) [427243N001](#) [B-801-18-01](#) [515-9](#) [C67137-000](#) [CB0220-000](#) [D-436-0185CS1102](#) [D-436-36CS2908](#) [D-436-37CS2908](#) [D-436-52CS246](#) [D-436-83CS2705](#) [D44133N001](#) [LSS-26-8A](#)