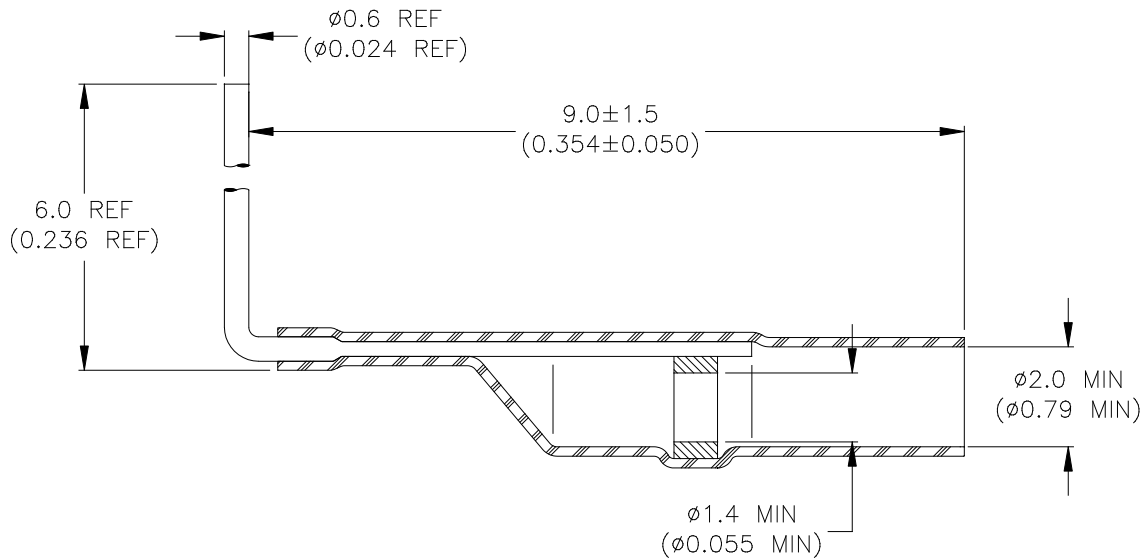


CUSTOMER DRAWING




MATERIALS

1. **INSULATION SLEEVE:** Heat shrinkable, transparent blue, radiation cross-linked modified polyvinylidene fluoride.
2. **SOLDER PREFORM WITH FLUX:**
 SOLDER: TYPE Sn62 Pb36 Ag2 per ANSI J-STD-006.
 FLUX: TYPE ROL0 per ANSI J-STD-004.
3. **PIN:** Phosphor bronze coated with Sn60 solder alloy.

APPLICATION

1. This controlled soldering device facilitates the strain-relieved termination of stranded wires to printed circuit boards with 0.8mm diameter holes.
2. It will terminate the tin-plated or silver-plated copper conductor of a wire whose insulation is rated at 125°C or higher. It will handle 26, 24, and 22 AWG stranded wires.
3. For all wires, the strip length shall be 4.0 ± 0.5 (0.157 ± 0.020)
4. The recommended application tool is the AA 400 with Soldersleeve reflector. After the PinPak device is applied to the wire, the pin is cut to the desired length and hand or wave soldered to the board.

		Raychem THERMOFIT DEVICES		TITLE: PCB TERMINATION PINPAK* DEVICE		
Unless otherwise specified dimensions are in millimeters. [Inches dimensions are shown in brackets]				DOCUMENT NO.: B-801-36		
TOLERANCES: 0.00 N/A 0.0 N/A 0 N/A		ANGLES: N/A ROUGHNESS IN MICRON		TE Connectivity reserves the right to amend this drawing at any time. Users should evaluate the suitability of the product for their application.		REV: 2
DATE: 05-Dec-2000		ECO: ECO-20-003687		DATE: 09-Mar-2020		SCALE: NTS
DRAWN BY: M. FORONDA				SIZE: A		SHEET: 1 of 1

© 09-Mar-2020 Tyco Electronics Corporation. All rights reserved.

If this document is printed it becomes uncontrolled. Check for the latest revision.

*TE Connectivity, TE connectivity (logo), Raychem, THERMOFIT, SolderSleeve are trademarks

X-ON Electronics

Largest Supplier of Electrical and Electronic Components

Click to view similar products for [Solder Sleeves & Shield Tubing](#) category:

Click to view products by [TE Connectivity](#) manufacturer:

Other Similar products are found below :

[899170-000](#) [620040N001](#) [620069N003](#) [CTA-0050-01](#) [629624-000](#) [6500750004](#) [6501390002](#) [CX0781-000](#) [696396-000](#) [697080-000](#) [D-150-0331CS2902](#) [D-181-1222-90/9CS2800](#) [D-300-01CS1108](#) [715325N001](#) [908357N001](#) [982127-1](#) [D-436-0182CS246](#) [D-436-37CS2651](#) [D-436-61CS246](#) [D-436-82-CS2621](#) [D-659-0087](#) [E53797N001](#) [CB0213-000](#) [CB0219-000](#) [S200-2-01](#) [S200-4-00CS2904](#) [LSS-81-16AA-CS5575](#) [ST18-2-00](#) [FLX40-020-04-CS8651](#) [325534-000](#) [CTA-0025](#) [D-108-07CS436](#) [D-128-0010](#) [D-141-0108CS404](#) [D-144-41CS1371](#) [D-150-0231-NRCS2896](#) [D-150-1011](#) [395947-000](#) [427243N001](#) [B-801-18-01](#) [515-9](#) [C67137-000](#) [CB0220-000](#) [D-436-0185CS1102](#) [D-436-36CS2908](#) [D-436-37CS2908](#) [D-436-52CS246](#) [D44133N001](#) [LSS-26-8A](#) [626168-000](#)