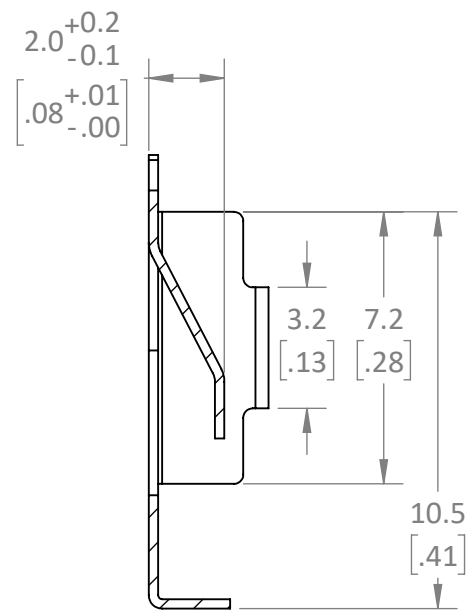
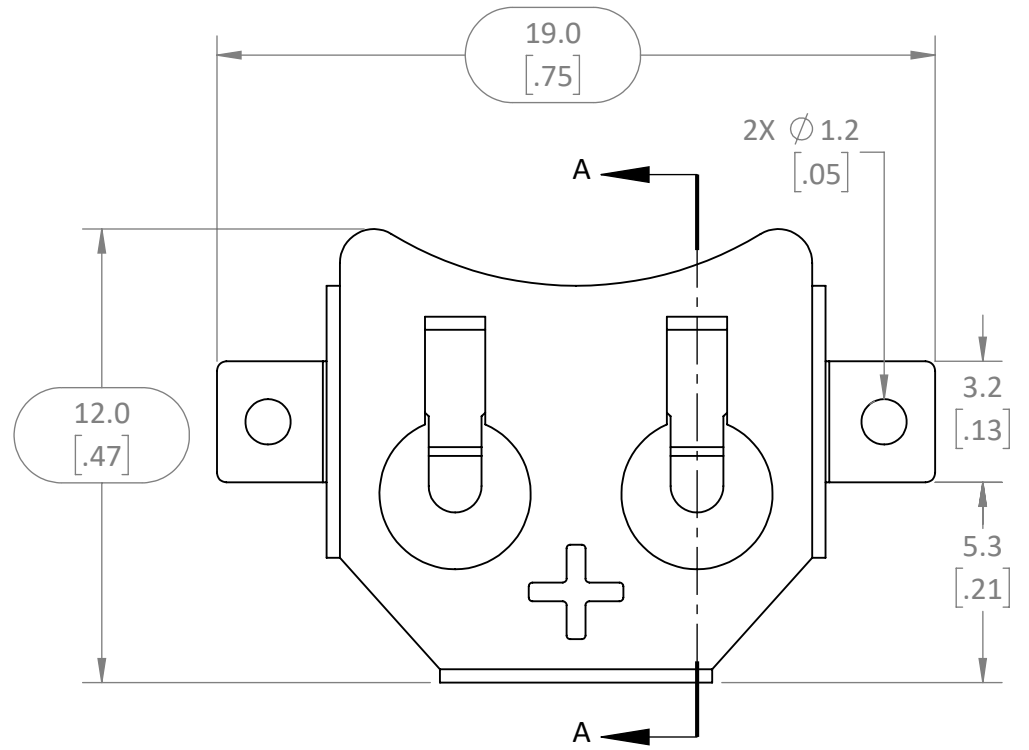
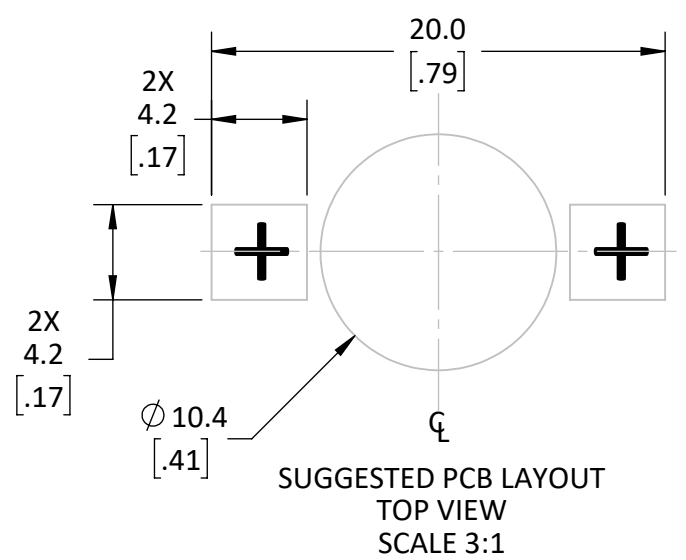
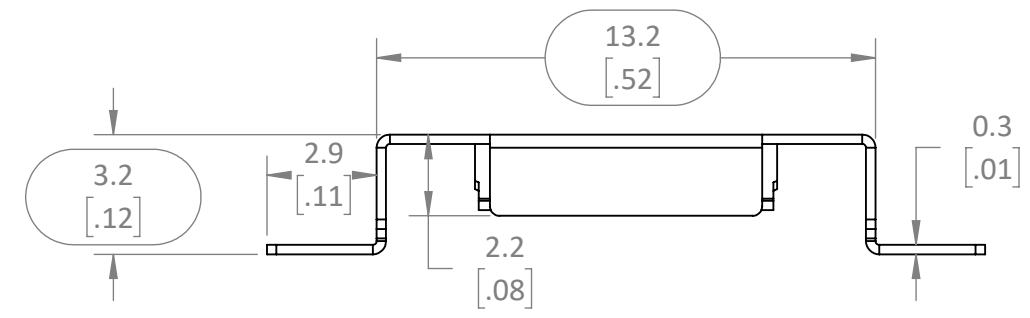
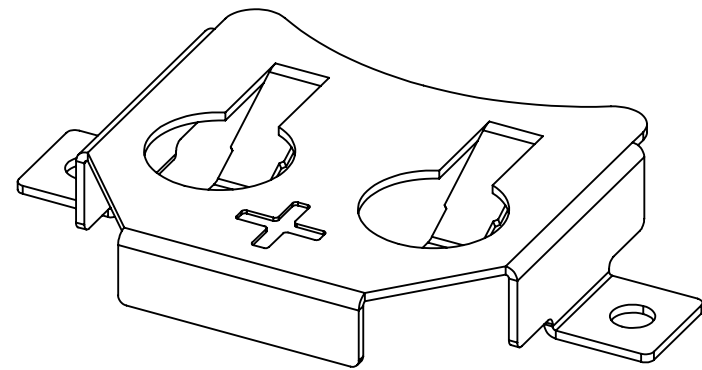


REVISIONS			
REV	DESCRIPTION	DATE	APPV
A	PRODUCTION RELEASE	JHAGER 5/25/22	DV 5/31/22



SECTION A-A

- NOTES: (UNLESS OTHERWISE SPECIFIED)
1. ALL DIMENSIONS ARE IN MILLIMETERS [IN].
 2. DIMENSIONS APPLY AFTER FINISHING.
 3. MANUFACTURE TO BE COMPLIANT WITH EU RoHS DIRECTIVE, USE MATERIALS THAT DO NOT CONTAIN REACH SUBSTANCES OF VERY HIGH CONCERN >1000ppm, AND USE DRC CONFLICT-FREE SOURCED MATERIALS.
 4. PRODUCT QUALIFIED IAW LINX TEST PLAN AT CURRENT REVISION.
 5. UNLISTED DIMENSIONS ARE CONTROLLED BY SOLID MODEL AT LATEST REVISION.
 6. FINISH BRIGHT NICKEL PLATED FREE OF CONTAMINANTS
 7. PACKAGE MATERIAL IN REEL IAW ASTM EIA-481F
 1. PITCH: 16mm
 2. TAPE SIZE: 32MM
 3. EMBOSSED CARRIER
 8. PACKAGE AND LABEL LOT BAG, REEL, TRAY OR BOX IAW SUPPLIED LABEL DRAWING ONLY.



WARNING: THIS DRAWING CONTAINS PROPRIETARY INFORMATION THAT IS THE SOLE PROPERTY OF LINX TECHNOLOGIES, AND SHALL BE TREATED AS SUCH. NO DISCLOSURE OR REPRODUCTION OF THIS DOCUMENT IS PERMITTED, IN WHOLE OR IN PART, WITHOUT THE EXPRESS WRITTEN PERMISSION OF LINX TECHNOLOGIES OR ITS DESIGNATED AGENTS.

STE 159 ORT LANE
connectivity MERLIN, OR 97532

MATERIAL: CuSnP	INTERPRET DIMENSIONS AND TOLERANCES PER ASME Y14.5.		PROJECTION:
WEIGHT:	.X ± 2.0 .XX ± 1.00 .XXX ± .500	ANGLES: ± 1° SURFACE:	
FINISH: Ni	DRAWN: JHAGER	DT: 5/24/22	
	ENGR: DASARATHAN	DT: 5/24/22	

TITLE: BATTERY HOLDER CR1220 CELL SURFACE MOUNT		
SIZE B	DWG. NO. C-BAT-HLD-007-SMT-TR	REV A
SCALE: 5:1	DO NOT SCALE DRAWING	SHEET 1 OF 1

X-ON Electronics

Largest Supplier of Electrical and Electronic Components

Click to view similar products for [Coin Cell Battery Holders](#) category:

Click to view products by [TE Connectivity](#) manufacturer:

Other Similar products are found below :

[1025-7](#) [103](#) [104](#) [1056TR](#) [1060TR](#) [1061TR](#) [1063](#) [107](#) [1081](#) [108-2](#) [1091](#) [1091TR](#) [122-2420-GR](#) [122-2582-GR](#) [122-2612-GR](#) [122-2616-GR](#)
[122-7520-GR](#) [1775485-1](#) [18650 S2](#) [2-1775485-1](#) [2998TR](#) [3000TR](#) [3001](#) [3002TR](#) [3003](#) [3005](#) [3007](#) [3008TR](#) [3012TR](#) [3026TR](#) [3034TR](#)
[3039](#) [3046](#) [3080](#) [46400000](#) [4856](#) [4891](#) [4988](#) [79573231](#) [799-2001](#) [799-2007](#) [AAA-BAT-046-K01](#) [BA2032](#) [BA2032SM](#) [BA2AAPC](#)
[BA3AAPC](#) [BA4AAPC](#) [BA4AAW](#) [BAT-HLD-002-SMT](#) [BAT-HLD-002-THM](#)