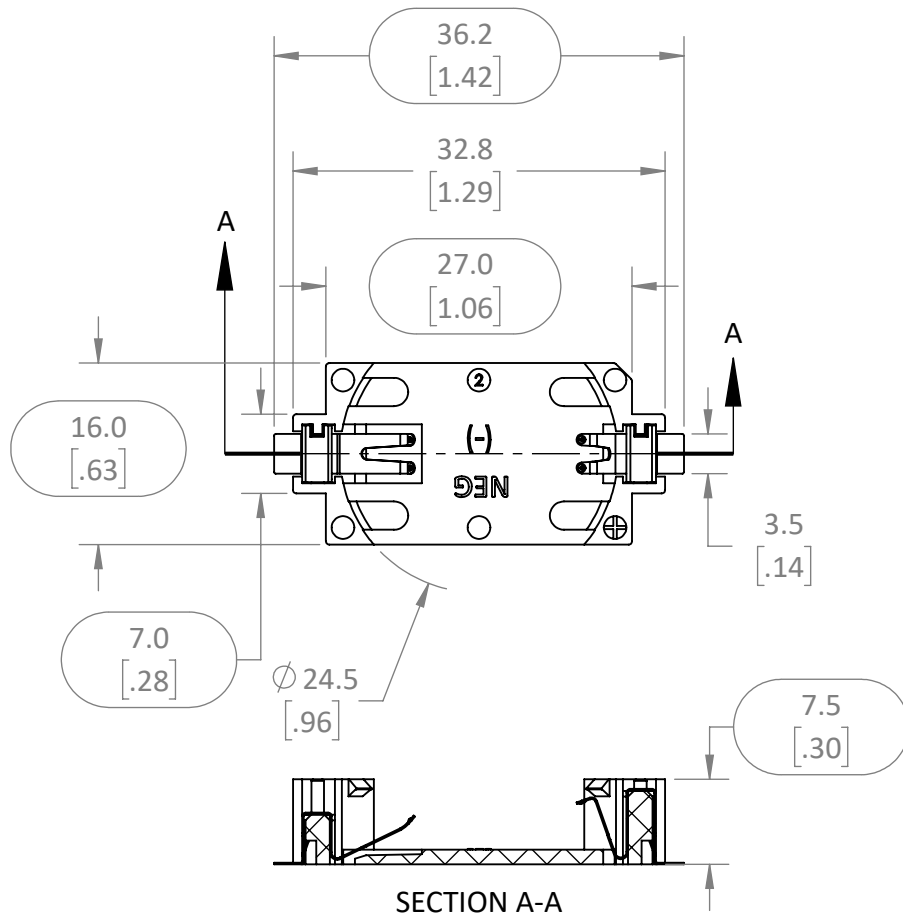
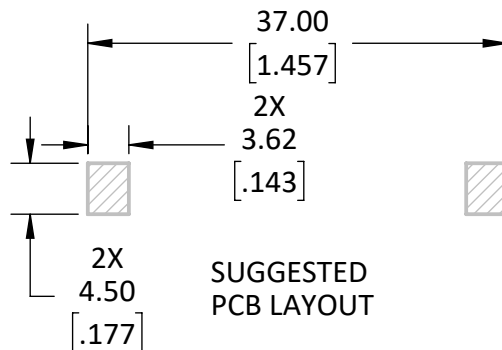


REVISIONS			
REV	DESCRIPTION	DATE	APPV
A	PRODUCTION RELEASE	JHAGER 5/27/22	DV 5/31/22



NOTES: (UNLESS OTHERWISE SPECIFIED)

- ALL DIMENSIONS ARE IN MILLIMETERS [IN].
- DIMENSIONS APPLY AFTER FINISHING.
- MANUFACTURE TO BE COMPLIANT WITH EU RoHS DIRECTIVE, USE MATERIALS THAT DO NOT CONTAIN REACH SUBSTANCES OF VERY HIGH CONCERN >1000ppm, AND USE DRC CONFLICT-FREE SOURCED MATERIALS.
- ELECTRICAL SPECIFICATIONS ARE FOR LISTED FOR REFERENCE ONLY. SEE LINX DATA SHEET FOR CURRENT PROPERTIES
 - CONTACT RESISTANCE: NTE 300mΩ
 - INSULATION RESISTANCE: 1MΩ MAX
 - DIELECTRIC RESISTANCE: 500VAC
- MECHANICAL PROPERTIES
 - MATERIAL: LCP UL94V-0, WHITE
 - OPERATING TEMPERATURE: -25° - +85°C
 - UNLISTED DIMENSIONS CONTROLLED BY SOLID MODEL AT LATEST REVISION.
- PACKAGE TAPE AND REEL IAW ASTM EIA-481F
 - PITCH: 20mm
 - TAPE SIZE: 56mm
 - EMBOSSED CARRIER
- LABEL PACKAGING (REEL, LOT-BAGS AND BOXES) IAW LABELS CONFORMING TO LINX DRAWING [MEC-LBL-4X2.5-PAPER-ID]



WARNING: THIS DRAWING CONTAINS PROPRIETARY INFORMATION THAT IS THE SOLE PROPERTY OF LINX TECHNOLOGIES, AND SHALL BE TREATED AS SUCH. NO DISCLOSURE OR REPRODUCTION OF THIS DOCUMENT IS PERMITTED, IN WHOLE OR IN PART, WITHOUT THE EXPRESS WRITTEN PERMISSION OF LINX TECHNOLOGIES OR ITS DESIGNATED AGENTS.

MATERIAL:	INTERPRET DIMENSIONS AND TOLERANCES PER ASME Y14.5.		PROJECTION:
LCP	.X ±2.0	ANGLES: ±1°	
CuSnP	.XX ±1.0	SURFACE: √	
	.XXX ±.500		
FINISH:	DRAWN: JHAGER	DT: 5/27/22	
Au/Ni	ENGR: SHAWN H	DT: 5/27/22	



159 ORT LANE
MERLIN, OR 97532

TITLE:		
BATTERY HOLDER SURFACE MNT CR2450 CELL		
SIZE	DWG. NO.	REV
A	C-BAT-HLD-008-SMT-TR	A
SCALE: 1.5:1	DO NOT SCALE DRAWING	SHEET 1 OF 1

X-ON Electronics

Largest Supplier of Electrical and Electronic Components

Click to view similar products for [Coin Cell Battery Holders](#) category:

Click to view products by [TE Connectivity](#) manufacturer:

Other Similar products are found below :

[1025-7](#) [103](#) [104](#) [1056TR](#) [1060TR](#) [1061TR](#) [1063](#) [107](#) [1081](#) [108-2](#) [1091](#) [1091TR](#) [122-2420-GR](#) [122-2582-GR](#) [122-2612-GR](#) [122-2616-GR](#)
[122-7520-GR](#) [1775485-1](#) [18650 S2](#) [2-1775485-1](#) [2998TR](#) [3000TR](#) [3001](#) [3002TR](#) [3003](#) [3005](#) [3007](#) [3008TR](#) [3012TR](#) [3026TR](#) [3034TR](#)
[3039](#) [3046](#) [3080](#) [46400000](#) [4856](#) [4891](#) [4988](#) [79573231](#) [799-2001](#) [799-2007](#) [AAA-BAT-046-K01](#) [BA2032](#) [BA2032SM](#) [BA2AAPC](#)
[BA3AAPC](#) [BA4AAPC](#) [BA4AAW](#) [BAT-HLD-002-SMT](#) [BAT-HLD-002-THM](#)