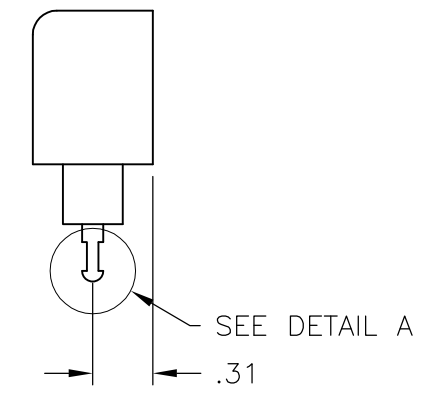
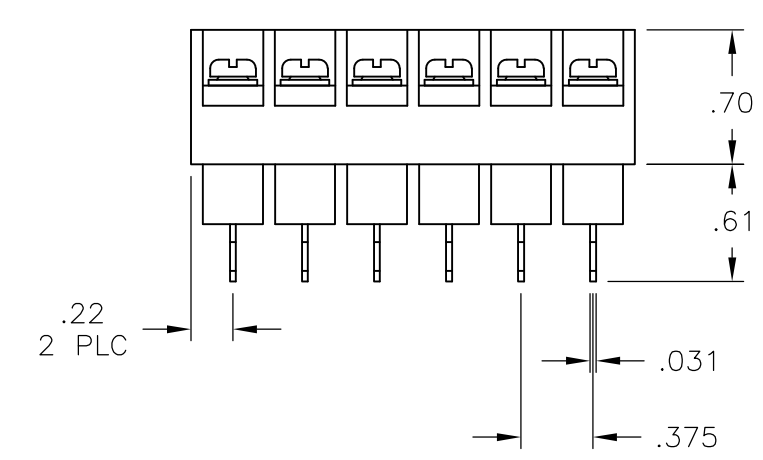
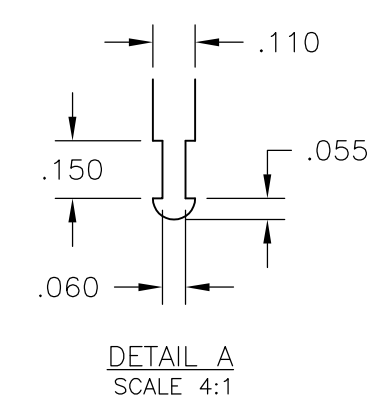
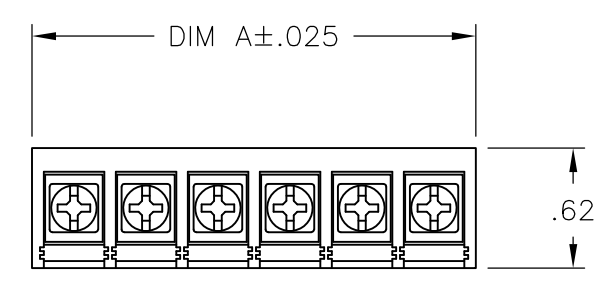


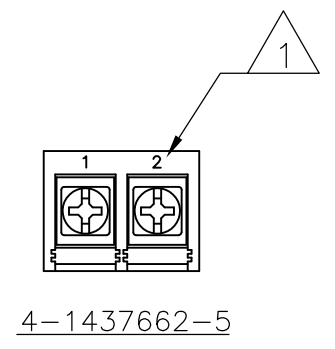
THIS DRAWING IS UNPUBLISHED. RELEASED FOR PUBLICATION  
 © COPYRIGHT BY TYCO ELECTRONICS CORPORATION. ALL INTERNATIONAL RIGHTS RESERVED.

LOC	DIST	REVISIONS					
FT	0	P	LTR	DESCRIPTION	DATE	DWN	APVD
			B	REVISED PER ECO-10-013203	25JUN10	HMR	CR

**NOTES:**  
**MATERIAL:**  
 HOUSING: THERMOPLASTIC, UL94V-0, BLACK.  
 TERMINALS: TIN PLATED COPPER ALLOY.  
 SCREWS: 6-32, STEEL, ZINC PLATED W/ CLR CHROMATE.  
**ELECTRICAL:**  
 MAX CURRENT: 20A  
 OPERATING VOLTAGE: 300V.  
 WIRE RANGE: 12-22 AWG.  
**ENVIRONMENTAL:**  
 OPERATING TEMP.: +105° MAX.  
 1 MARKED WITH WHITE INK.



DIM. A	NO. OF POS.	CATALOG NUMBER	TE PART NO.
7.561	20	BC6-T408-20	9-1437662-5
7.186	19	BC6-T408-19	9-1437662-4
6.811	18	BC6-T408-18	9-1438662-3
6.436	17	BC6-T408-17	9-1437662-2
6.061	16	BC6-T408-16	9-1437662-1
5.686	15	BC6-T408-15	9-1437662-0
5.311	14	BC6-T408-14	8-1437662-9
4.936	13	BC6-T408-13	8-1437662-8
4.561	12	BC6-T408-12	8-1437662-7
4.186	11	BC6-T408-11	8-1437662-6
3.811	10	BC6-T408-10	8-1437662-5
3.436	9	BC6-T408-09	8-1437662-4
3.061	8	BC6-T408-08	4-1437662-8
2.686	7	BC6-T408-07	8-1437662-3
2.311	6	BC6-T408-06	8-1437662-2
1.936	5	BC6-T408-05	8-1437662-1
1.561	4	BC6-T408-04	4-1437662-6
1.186	3	BC6-T408-03	8-1437662-0
.811	2	BC6-T408-02-278	4-1437662-5
.811	2	BC6-T408-02	9-1437662-6



THIS DRAWING IS A CONTROLLED DOCUMENT.		DWN S SCHLEGEL 8/4/04	Tyco Electronics Corporation Harrisburg, PA 17105-3608	
DIMENSIONS: INCHES	TOLERANCES UNLESS OTHERWISE SPECIFIED:	CHK S. YODER 8/4/04	NAME	
	0 PLC ± -	APVD S. YODER 8/4/04	BC6-T408-XX ASSEMBLY	
	1 PLC ± -	PRODUCT SPEC	SIZE	CAGE CODE
	2 PLC ± .02	APPLICATION SPEC	A3	00779
	3 PLC ± .010	WEIGHT	DRAWING NO C-4-1437662-6	
	4 PLC ± -		RESTRICTED TO	
	ANGLES ± -		-	
MATERIAL	FINISH	CUSTOMER DRAWING		SCALE NTS
-	-	SHEET 1 OF 1		REV B

## X-ON Electronics

Largest Supplier of Electrical and Electronic Components

*Click to view similar products for [Barrier Terminal Blocks](#) category:*

*Click to view products by [TE Connectivity](#) manufacturer:*

Other Similar products are found below :

[CR151D20104](#) [670A-RZ-15-KT20](#) [6C1N03](#) [6PCR-02](#) [6PCR-02-008](#) [6PCR-05-008](#) [6PCR-08-008](#) [6PCR-09-008](#) [6PCR-13-006](#) [6PCR-15-006](#) [6PCR-21-006](#) [6PCV-06-008](#) [6PCV-06-716](#) [6PCV-09-001](#) [6PCV-10-009](#) [6PCV-15-008](#) [6PCV-17-1206](#) [6PCV-20-323](#) [6PCV-30-006](#) [6STR-06-006](#) [6STR-08-006](#) [6STR-12-008](#) [6STR-13-006](#) [6STR-14-008](#) [6STR-16-008](#) [6STR-17-008](#) [6STR-21-008](#) [6STR-25-008](#) [6STR-27-008](#) [6STV-03-006](#) [6STV-03-008](#) [6STV-04-006](#) [6STV-09-006](#) [6STV-10-006](#) [6WWR-03-693](#) [6WWV-12-008](#) [6WWV-16-008](#) [72212603](#) [72504-C-50](#) [72506-C](#) [72507-C-50](#) [73203](#) [75505-C](#) [75505-C-50](#) [75510-C](#) [77010-50](#) [7C1N08](#) [812-GP-3/4ST-09](#) [8-1437402-5](#) [8-1437402-7](#)