

4

3

2

1

THIS DRAWING IS UNPUBLISHED.

RELEASED FOR PUBLICATION

20

© COPYRIGHT 20

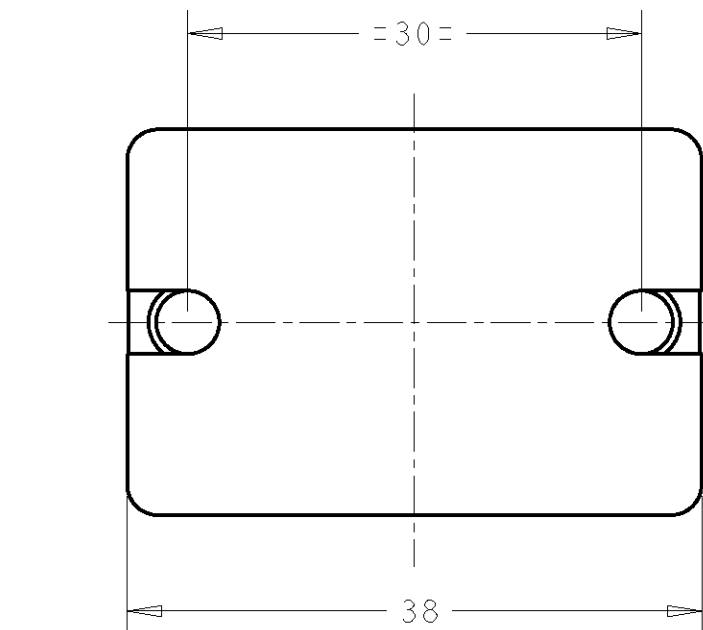
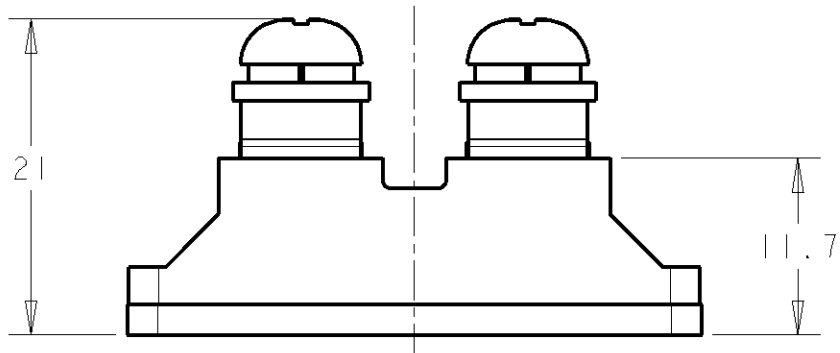
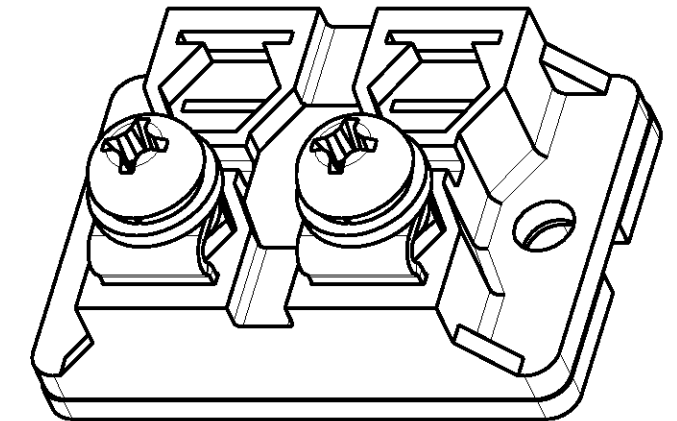
BY -

ALL RIGHTS RESERVED.

LOC	DIST	REVISIONS			
P	LTR	DESCRIPTION	DATE	DWN	APVD
-	-	B1	REVISED PER ECO-11-005150	28MAR11	RK HMR



TYPE	POWER RATING AT 60°C	RESISTANCE	TOLERANCE
BDS 2A	100 Watts	1R to 1MΩ	K = ±10% J = ±5%



LIMITING ELEMENT VOLTAGE: 500V dc/ac rms (100W or less)
 ISOLATION VOLTAGE (TERMINAL TO HEATSINK): 2.5kV
 SINGLE SHOT (1,5/50ms): 4kV
 MAXIMUM RATED POWER (HEATSINK TEMP @ 60°C): 100W
 SHORT TERM OVERLOAD: 3 x RATED POWER, 10 sec's
 PARTIAL DISCHARGE: <20pC/2kV



RoHS COMPLIANT

DIMENSIONS: mm 		TOLERANCES UNLESS OTHERWISE SPECIFIED: 0 PLC ±0.5 1 PLC ±0.2 2 PLC ±0.02 3 PLC ±0.005 4 PLC ±0.0005 ANGLES ±0.5		DWN T MOORE 15MAR2005 CHK J CATCHPOLE 5MAR2005 APVD J CATCHPOLE 5MAR2005 PRODUCT SPEC - APPLICATION SPEC - WEIGHT 35g		TE Connectivity NAME BDS2A100 SIZE A3 CAGE CODE 00779 DRAWING NO C-1614782		RESTRICTED TO	
MATERIAL -		FINISH -		CUSTOMER DRAWING		SCALE 2:1		SHEET 1 OF 1	REV B1

X-ON Electronics

Largest Supplier of Electrical and Electronic Components

Click to view similar products for [Planar Resistors - Chassis Mount](#) category:

Click to view products by [TE Connectivity](#) manufacturer:

Other Similar products are found below :

[20-100RP](#) [BAB326622R0KE](#) [BDS2A10033RK](#) [TAP800K68RE](#) [BB326610R0KE](#) [TL88J136C](#) [TL122KU221RE](#) [TGHDV100RJE](#)
[TL71F9K40C](#) [FPA100 47K J](#) [RCEC750HV6802JB](#) [TAP650J4R7E](#) [TGHHV100RJE](#) [TGHHV33R0JE](#) [TGHHV500RJE](#) [TGHHV5K00JE](#)
[TGHHV5R00JE](#) [TGHHV680RJE](#) [TGHLV100RJE](#) [TGHLV150RJE](#) [TGHLV1K00JE](#) [TGHLV1R00JE](#) [TGHLV500RJE](#) [TGHLV5K00JE](#)
[TGHLVR100JE](#) [HTS-14-12-40-3/4.8](#) [HTS-14-24-40-3/4.8](#) [HTS-15-230-100-1](#) [HTS-15-230-100-3/4.8](#) [HTS-15-230-100-3/6.3](#) [HTS-15-230-150-3/6.3](#) [FPA100 100R J](#) [FPA100 1K5 J](#) [FPA100 3R3 J](#) [LPS0600HR400KB](#) [LPS0800L1001KB](#) [GBR-605-230-20-1](#) [GBR-605-230-60-2](#)
[GBR-612-12-40-1](#) [GBR-612-24-40-1](#) [GBR-618-24-10-2](#) [GBR-618-24-5-2](#) [GBR-618-3-5-2](#) [GBR-618-9-5-2](#) [GBR-619-230-60-2](#) [FPA100-1RJ](#)
[FPA100 470R J](#) [HTS-14-230-100-3/4.8](#) [RCEC400GS2702KB](#) [RCEC400GS33R0JB](#)