

Type BMB-A Series

Key Features

Effective EMI Protection

Wide Frequency Characteristics

High soldering Heat Resistance

Various Package Sizes Available

Suited to a Variety of Applications

Terminal finish matte Sn over Cu/Ni underplate



The BMB A Series of beads cover a wide range of impedance characteristics. The chip beads have a monolithic inorganic material construction that minimises the effect of electromagnetic interference. These are high loss types for general use. This series is offered in 0402, 0603, 0805 and 1206 package sizes

Electrical Performance

Part Number	Impedance (Ω) at 100MHz	DC Resistance (Ω) maximum	Rated Current (mA) maximum
BMB-1E-0030A-N8	30 \pm 25%	0.15	500
BMB-1E-0060A-N8	60 \pm 25%		
BMB-1E-0120A-N8	120 \pm 25%	0.25	300
BMB-1E-0220A-N8	220 \pm 25%	0.35	
BMB-1E-0300A-N8	300 \pm 25%	0.45	
BMB-1E-0470A-N8	470 \pm 25%	0.55	
BMB-1E-0600A-N8	600 \pm 25%	0.65	200
BMB-1E-1000A-N8	1000 \pm 25%	1.00	150
BMB-1J-0030A-N8	30 \pm 25%	0.20	400
BMB-1J-0040A-N8	40 \pm 25%		300
BMB-1J-0060A-N8	60 \pm 25%		
BMB-1J-0080A-N8	80 \pm 25%	0.40	200
BMB-1J-0100A-N8	100 \pm 25%		
BMB-1J-0120A-N8	120 \pm 25%		
BMB-1J-0180A-N8	180 \pm 25%		
BMB-1J-0220A-N8	220 \pm 25%	0.50	200
BMB-1J-0240A-N8	240 \pm 25%		
BMB-1J-0300A-N8	300 \pm 25%		
BMB-1J-0450A-N8	450 \pm 25%	0.70	150
BMB-1J-0600A-N8	600 \pm 25%		
BMB-1J-1000A-N8	1000 \pm 25%	1.00	100
BMB-1J-1200A-N8	1200 \pm 25%		200
BMB-1J-1500A-N8	1500 \pm 25%		

Electrical Performance (continued)

Part Number	Impedance (Ω) at 100MHz * 50MHz * 30MHz	DC Resistance (Ω) maximum	Rated Current (mA) maximum
BMB-2A-0010A-N8	10 \pm 25%	0.10	600
BMB-2A-0017A-N8	17 \pm 25%		500
BMB-2A-0030A-N8	30 \pm 25%		
BMB-2A-0080A-N4	80 \pm 25%	0.30	400
BMB-2A-0120A-N4	120 \pm 25%		300
BMB-2A-0120A-N8			
BMB-2A-0150A-N8	150 \pm 25%	0.50	250
BMB-2A-0220A-N4	220 \pm 25%		
BMB-2A-0300A-N8	300 \pm 25%		
BMB-2A-0400A-N8	400 \pm 25%	0.60	200
BMB-2A-0600A-N4	600 \pm 25%		
BMB-2A-0600A-N8			
BMB-2A-1000A-N4	1000 \pm 25%	0.80	100
BMB-2A-1200A-N4	1200 \pm 25%		
BMB-2A-1500A-N4	1500 \pm 25%	1.00	
BMB-2A-2000A-N4	2000 \pm 25%		
BMB-2A-2200A-N4	2200 \pm 25%		
BMB-2A-2700A-N4	2700 \pm 25%	1.50	
BMB-2B-0026A-N8	26 \pm 25%	0.20	600
BMB-2B-0031A-N8	31 \pm 25%		500
BMB-2B-0050A-N8	50 \pm 25%		
BMB-2B-0070A-N8	70 \pm 25%		
BMB-2B-0090A-N8	90 \pm 25%	0.30	400
BMB-2B-0120A-N4	120 \pm 25%		
BMB-2B-0150A-N4	150 \pm 25%		
BMB-2B-0220A-N4	220 \pm 25%	0.40	300
BMB-2B-0400A-N4	400 \pm 25%		
BMB-2B-0500A-N8	500 \pm 25%		
BMB-2B-0600A-N8	600 \pm 25%	0.50	250
BMB-2B-1200A-N8	*1200 \pm 25%	0.70	200
BMB-2B-1500A-N8	*1500 \pm 25%	1.00	
BMB-2B-2000A-N8	**2000 \pm 25%	1.50	150

Operating temperature range - -55 ~ +125°C

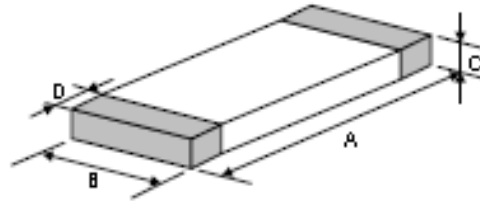
Temperature should be less than 25°C when rated current is applied.

Storage:

Temperature Range: -40 ~ +85°C

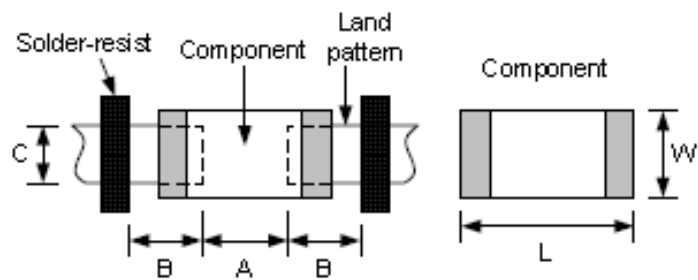
Humidity: Less than 75% RH

Product Dimensions



Size	A (mm)	B (mm)	C (mm)	D (mm)
0402	1.0 ±0.10	0.5 ±0.10	0.5 ±0.10	0.25 ±0.10
0603	1.6 ±0.15	0.8 ±0.15	0.8 ±0.15	0.3 ±0.20
0805	2.0 ±0.20	1.2 ±0.20	0.9 ±0.20	0.5 ±0.30
1206	3.2 ±0.20	1.6 ±0.20	1.1 ±0.20	0.5 ±0.30

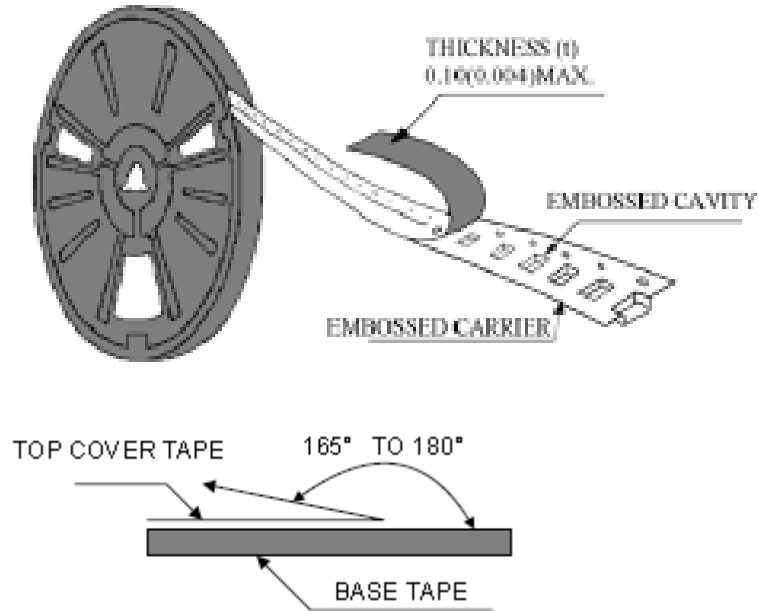
Recommended PCB Layout



Size	0402	0603	0805	1206	
Component	L	1.0	1.6	2.0	3.2
	W	0.5	0.8	1.2	1.6
A	0.45 ~ 0.55	0.6 ~ 0.8	0.8 ~ 1.2	1.8 ~ 2.2	
B	0.40 ~ 0.50	0.6 ~ 0.8	0.8 ~ 1.2	1.1 ~ 1.6	
C	0.40 ~ 0.50	0.6 ~ 0.8	0.9 ~ 1.6	0.9 ~ 1.6	

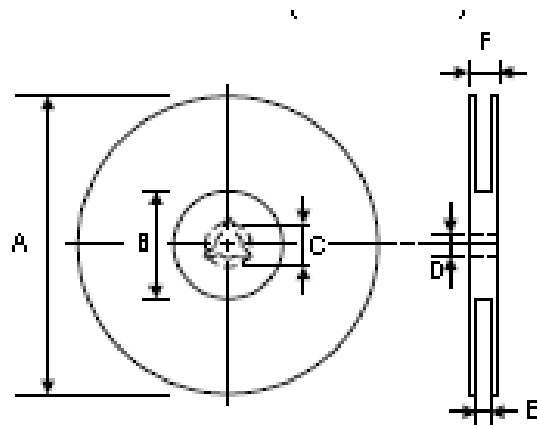
Packaging

Peel off force:

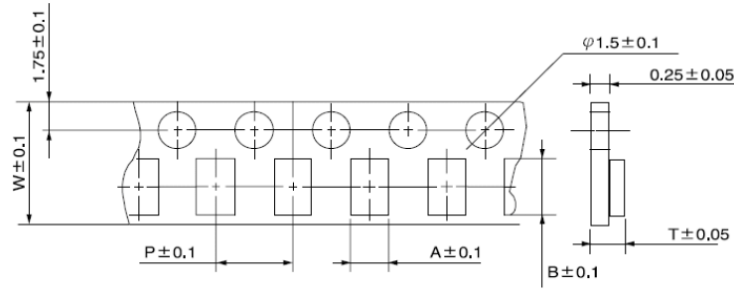


The force for peeling off cover tape is 10 grams in the direction shown

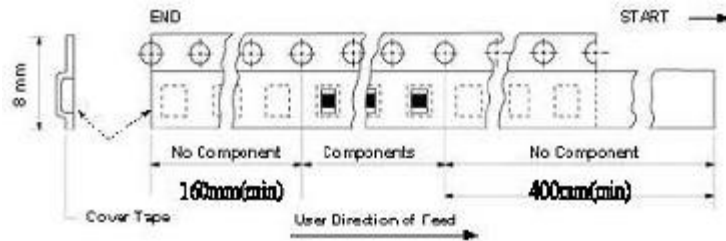
Dimensions (mm)



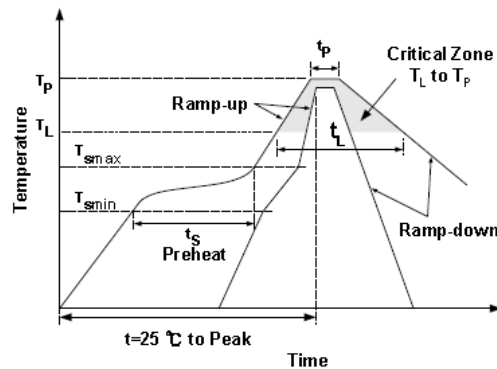
A	B	C	D	E	F
178 ±1	60 +0.5 -0.1	--	13 ±0.2	9 ±0.5	12 ±0.5



Size	A	B	W	P	T	Chips / Reel
0402	0.6	1.1	8	2	1.0	10000
0603	1.1	1.9	8	4	1.1	4000
0805	1.5	2.3	8	4	1.3	4000
1206	1.9	3.5	8	4	1.5	3000

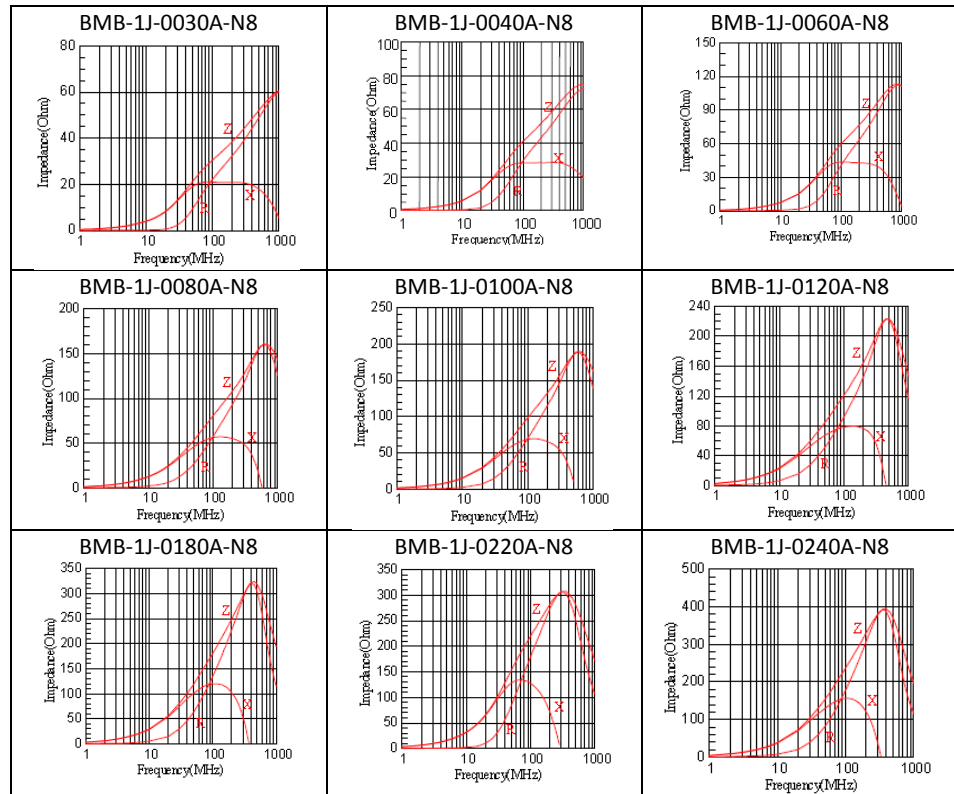
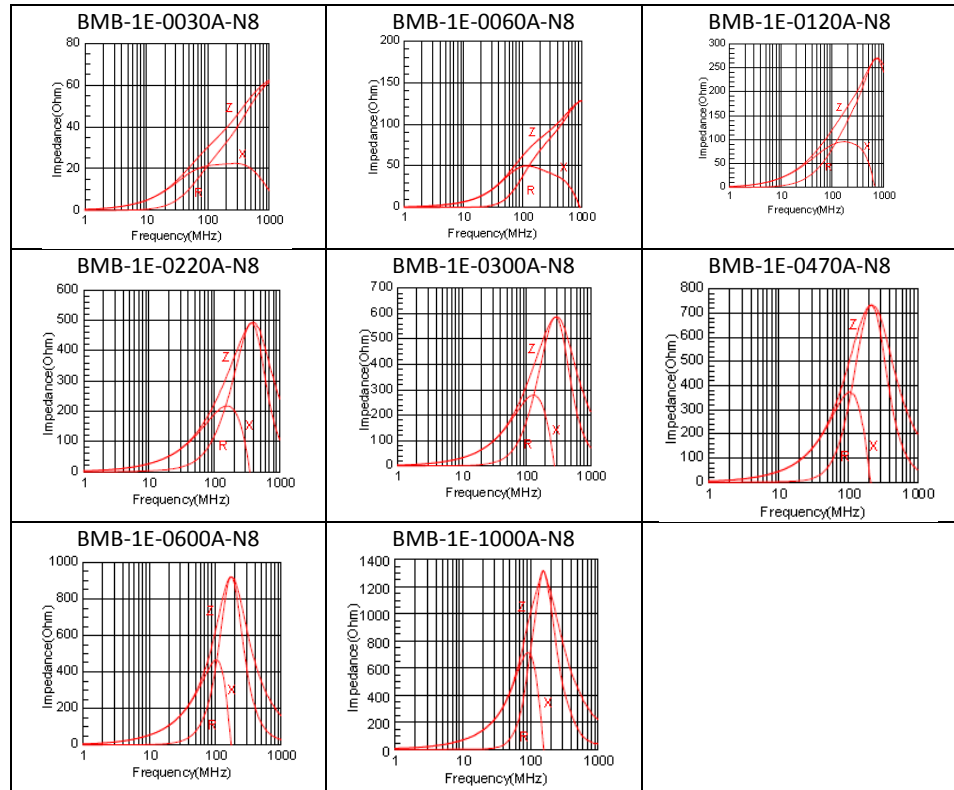


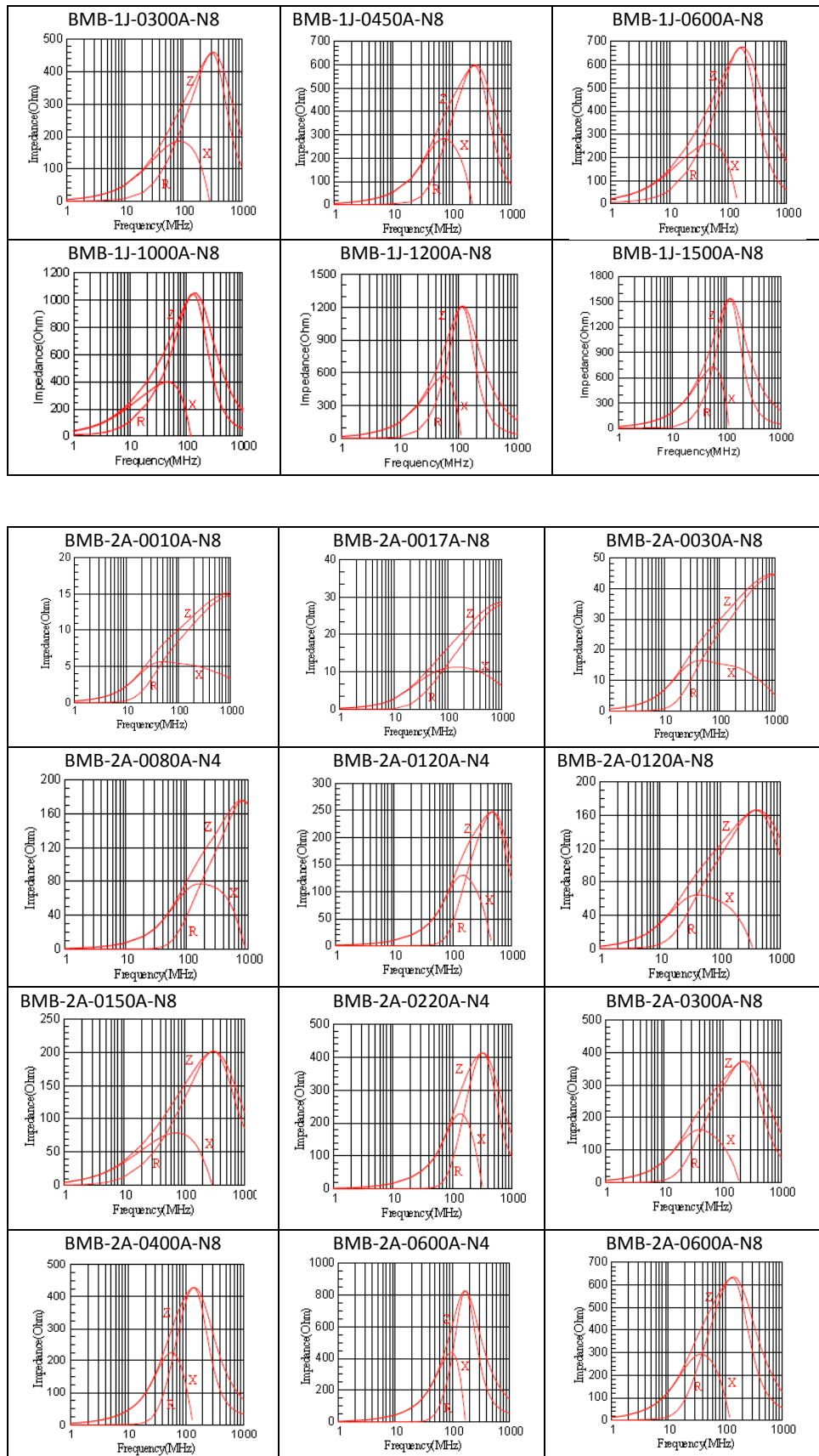
Recommended Reflow Solder Profile

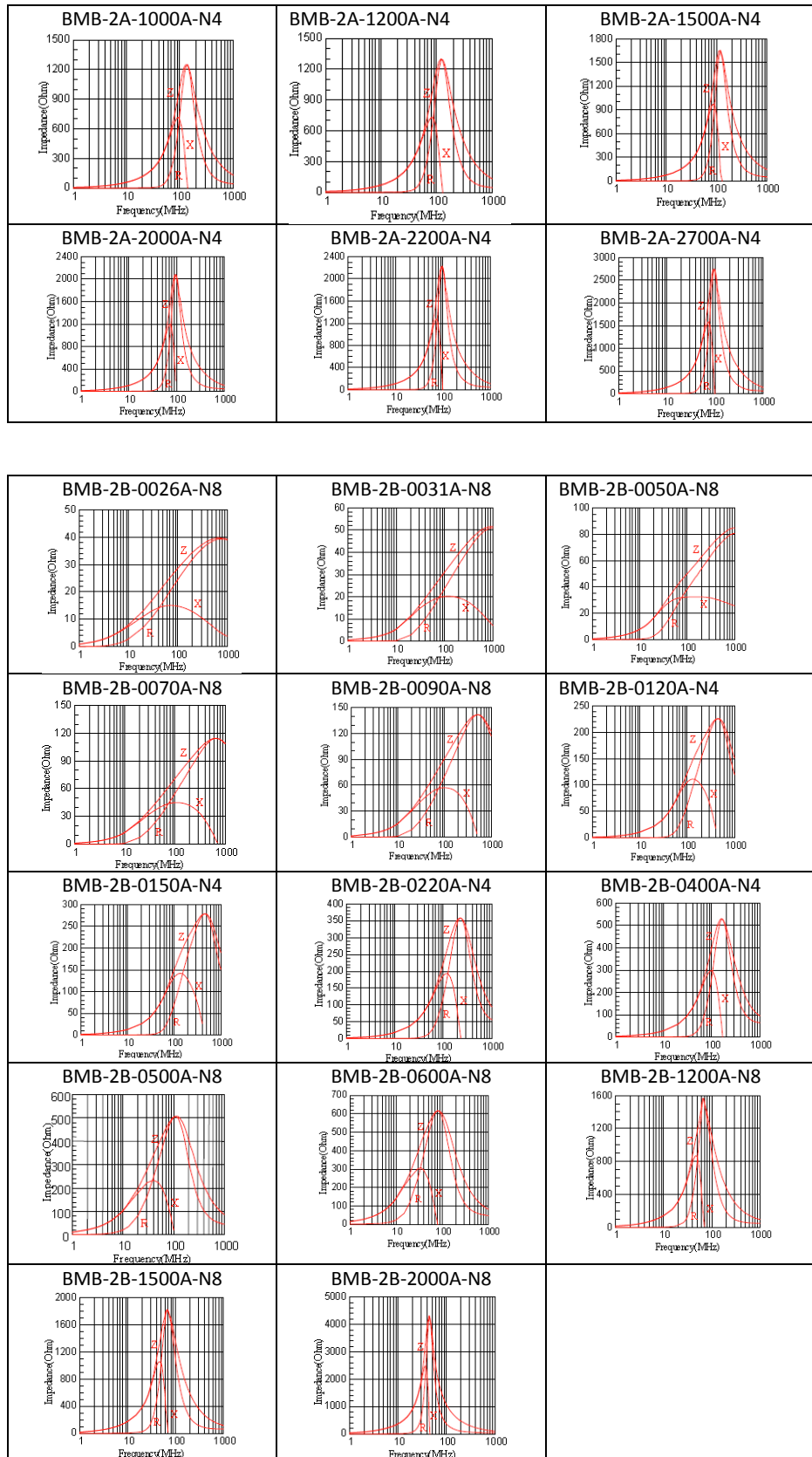


Profile Feature		Pb Free
Preheat	ts	60 ~ 180 seconds
	Tsmin	150°C
	Tsmax	200°C
Average Ramp up rate (Tsmax to Tp)		3°C/second max.
Time main above	Temperature (TL)	217°C
	Time (tL)	60 ~ 150 seconds
Peak Temperature (Tp)		250 ~ 260°C
Time within 5°C of actual peak temperature ((tp)		10 seconds
Ramp down rate		6°C/second max.
Time 25°C to peak temperature		8 minutes max.

Typical Characteristic Curves (T=25°C)







X-ON Electronics

Largest Supplier of Electrical and Electronic Components

Click to view similar products for [Ferrite Beads](#) category:

Click to view products by [TE Connectivity](#) manufacturer:

Other Similar products are found below :

[CZB1EGTTP700P](#) [CZB1JGTTD101P](#) [CZB1JGTTD151P](#) [CZB1JGTTD601P](#) [CZB2AFTTD800P](#) [CZB2AGTTD601P](#) [CZB2BFTTE600P](#)
[EMI0805R-11](#) [NCB0603R301TR050F](#) [NCB0805A320TR050F](#) [NCB-H1206B680TR300F](#) [SMB2.5-1TR](#) [SMB2.5R-2](#) [2943778301](#)
[CZB1EGTTP121P](#) [CZB1JGTTD102P](#) [CZB1JGTTD121P](#) [CZB1JGTTD221P](#) [CZB2AGTTD301P](#) [CZB2BFTTE601P](#) [4221R-1](#) [4221R-2](#)
[4221R-3](#) [EMI0805R-2000](#) [EMI0805R-600](#) [SBY100505T-100Y-N](#) [NCB-GH0402D121TR060F](#) [NCB-H1812D125TR150F](#)
[CZB2AGTTD102P](#) [NCB0402P301TR005F](#) [NCB0603R152TR030F](#) [NCB0805A121TR050F](#) [NCB3312K900TR500F](#) [NCB-](#)
[H0805A102TR150F](#) [NCB-H0805A221TR300F](#) [NCB-H1806E181TR300F](#) [NCB0402P300TR030F](#) [NCB0402P700TR050F](#)
[NCB0805A102TR040F](#) [NCB1806E151TR020F](#) [NCB-H0603R121TR300F](#) [NCB-H0805A220TR600F](#) [NCB-H0805A390TR400F](#) [NCB-](#)
[H1206B121TR300F](#) [CIM21J252NE](#) [CZB2BFTTE121P](#) [EMI0805R-220](#) [74279250](#) [7427924](#) [CZB1JGTTD202P](#)