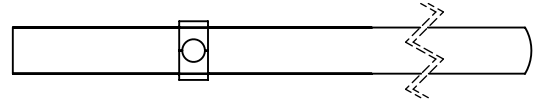
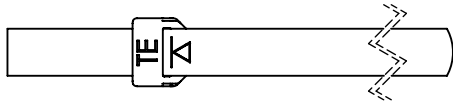
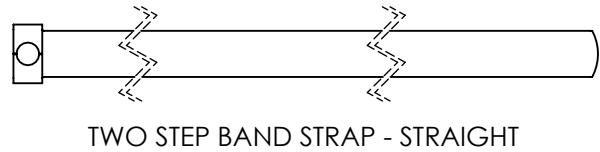
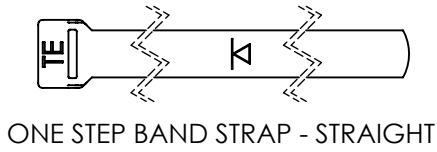


REVISIONS



ONE STEP BAND STRAP - PRE-COILED

TWO STEP BAND STRAP - PRE-COILED

BND-0812X

- SCREEN TERMINATION BAND
- BAND LENGTH
- AND BUCKLE TYPE IDENTIFIER
- BAND WIDTH IDENTIFIER
- BAND CONFIGURATION
- S - STRAIGHT (FLAT)
- P - PRE-COILED

NOTES:

1. THE BAND STRAPS ARE CONSTRUCTED FROM 300 SERIES PASSIVATED CORROSION RESISTING STEEL.
2. THE PRODUCT SHALL BE IDENTIFIED ON THE PACKAGE LABEL.
3. PART MARKING:
ONE STEP BAND STRAP WILL BE PERMANENTLY MARKED WITH TE LOGO.
TWO STEP BAND STRAP WILL BE PERMANENTLY MARKED WITH TE LOGO.
4. RECOMMENDED INSTALLATION TOOLS:
BND-0812X: M81306/1-02 OR EQUIVALENT.
BND-1012X: M81306/2-02 OR EQUIVALENT.
BND-1412X: M81306/1-02 OR EQUIVALENT.
BND-1425X : M81306/1-01 OR EQUIVALENT.
BND-1225X : M81306/2-01 OR EQUIVALENT.
BND-1212X: M81306/2-02 OR EQUIVALENT.
5. THE INSTALLATION TOOL FOR ONE STEP BAND AND TWO STEP BAND ARE NOT INTERCHANGEABLE.

RELEASED FOR PUBLICATION

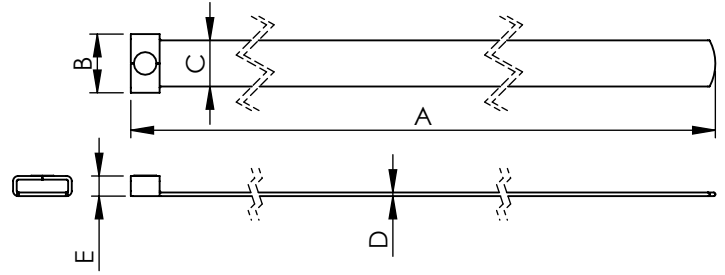
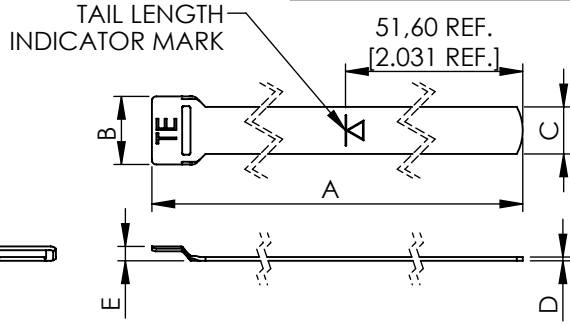
ALL RIGHTS RESERVED.

THIS DRAWING IS UNPUBLISHED.

© COPYRIGHT 20 BY

DIMENSIONS: MILLIMETERS	DWN: K.KUTA-WINCZURA 26/11/2019	MATERIAL: 300 SERIES CORROSION RESISTING STEEL	FINISH: PASSIVATED
	CHK: R.STYLES 11/12/2019	TE Connectivity	
TOLERANCES UNLESS OTHERWISE SPECIFIED:	APVD: M.PAUL 11/12/2019		
GENERAL TOL LINEAR ±0,25MM ANGULAR ±1°	PRODUCT SPEC: -	NAME: SCREEN TERMIANTION BAND	
	APPLICATION SPEC: -	SIZE: A4	CAGE CODE: U5792
	WEIGHT:	DRAWING NO: C-P35877	RESTRICTED TO
	CUSTOMER DRAWING	SCALE: 1:5	SHEET 1 OF 3 REV AA

REVISIONS

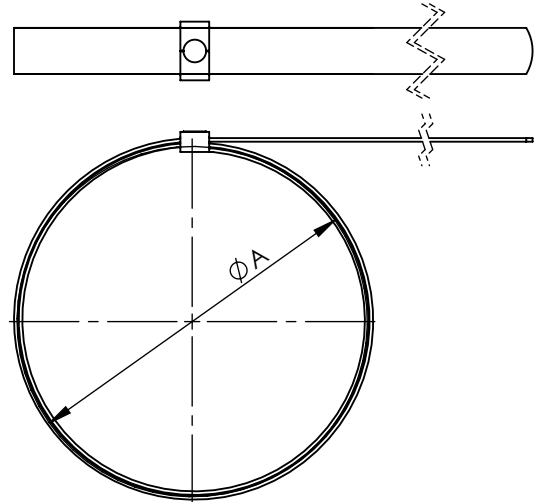
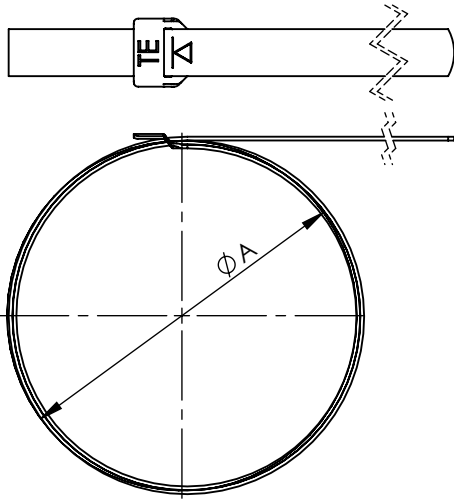


ONE STEP BAND STRAP - STRAIGHT

PART NUMBER	ENTRY SIZE	A ±1,8 [±.071]	B ±1,0 [±.040]	C ±0,2 [±.010]	D REF.	E REF.
BND-0812S	03 TO 12	206,3 [8.120]	5,0 [.197]	2,9 [.114]	0,4 [.016]	1,8 [.071]
BND-1412S	03 TO 24	362,0 [14.252]	5,0 [.197]	2,9 [.114]	0,4 [.016]	1,8 [.071]
BND-1425S	03 TO 24	362,1 [14.260]	8,9 [.350]	6,2 [.244]	0,5 [.020]	1,9 [.075]

TWO STEP BAND STRAP - STRAIGHT

PART NUMBER	ENTRY SIZE	A ±1,8 [±.071]	B ±1,0 [±.040]	C ±0,2 [±.010]	D REF.	E REF.
BND-1012S	03 TO 12	241,0 [9.488]	5,1 [.201]	3,0 [.118]	0,4 [.016]	2,2 [.087]
BND-1225S	03 TO 24	358,8 [14.126]	8,3 [.327]	6,2 [.244]	0,5 [.020]	2,5 [.098]
BND-1212S	03 TO 24	362,0 [14.252]	5,0 [.197]	3,0 [.118]	0,5 [.020]	2,5 [.098]



ONE STEP BAND STRAP - PRE-COILED

PART NUMBER	ENTRY SIZE	ØA REF
BND-0812P	03 TO 12	28,5 [1.120]
BND-1412P	03 TO 24	44,5 [1.752]
BND-1425P	03 TO 24	44,5 [1.752]

TWO STEP BAND STRAP - PRE-COILED

PART NUMBER	ENTRY SIZE	ØA REF
BND-1012P	03 TO 12	28,5 [1.120]
BND-1225P	03 TO 24	44,5 [1.752]
BND-1212P	03 TO 24	44,5 [1.752]

THIS DRAWING IS UNPUBLISHED. ALL RIGHTS RESERVED. BY COPYRIGHT 20

DIMENSIONS: MILLIMETERS	DWN: K.KUTA-WINCZURA 26/11/2019	MATERIAL: 300 SERIES CORROSION RESISTING STEEL	FINISH: PASSIVATED
	CHK: R.STYLES 11/12/2019	TE Connectivity	
TOLERANCES UNLESS OTHERWISE SPECIFIED:	APVD: M.PAUL 11/12/2019		
GENERAL TOL LINEAR ±0,25MM ANGULAR ±1°	PRODUCT SPEC:	NAME: SCREEN TERMINATION BAND	
	APPLICATION SPEC:	SIZE: A4	CAGE CODE: U5792
	WEIGHT:	DRAWING NO: C-P35877	RESTRICTED TO:
	CUSTOMER DRAWING	SCALE: 1:5	SHEET: 2 OF 3

REVISIONS

PART NUMBER	DESCRIPTION	BAND SLOT WIDTH (MM)	VISUALISATION
M81306/1-02	PRE-CALIBRATED HAND TOOL FOR ONE STEP MICRO BAND BND-0812S BND-0812P BND-1412S BND-1412P	3,18	
M81306/1-01	PRE-CALIBRATED HAND TOOL FOR ONE STEP STANDARD BANDS BND-1425S BND-1425P	6,35	
M81306/2-02 INCLUDES: - TIGHTENING TOOL - M81306/2-02B - FOLDING TOOL - M81306/2-02D	PRE-CALIBRATED HAND TOOL FOR TWO STEP BAND BND-1012S BND-1012P BND-1212S BND-1212P	3,18	
M81306/2-01 INCLUDES: - TIGHTENING TOOL - M81306/2-01A - FOLDING TOOL - M81306/2-02D	PRE-CALIBRATED HAND TOOL FOR TWO STEP BAND BND-1225S BND-1225P	6,65	

RELEASED FOR PUBLICATION

ALL RIGHTS RESERVED.

THIS DRAWING IS UNPUBLISHED.

BY COPYRIGHT 20



DIMENSIONS: MILLIMETERS	DWN: K.KUTA-WINCZURA 26/11/2019	MATERIAL: 300 SERIES CORROSION RESISTING STEEL	FINISH: PASSIVATED
	CHK: R.STYLES 11/12/2019	TE Connectivity	
TOLERANCES UNLESS OTHERWISE SPECIFIED:	APVD: M.PAUL 11/12/2019		
GENERAL TOL LINEAR $\pm 0,25$ MM ANGULAR $\pm 1^\circ$	PRODUCT SPEC:	NAME: SCREEN TERMINATION BAND	
	APPLICATION SPEC:	SIZE: A4	CAGE CODE: U5792
	WEIGHT:	DRAWING NO: C-P35877	RESTRICTED TO
	CUSTOMER DRAWING	SCALE: 1:5	SHEET: 3 OF 3
			REV: AA

X-ON Electronics

Largest Supplier of Electrical and Electronic Components

Click to view similar products for [Circular MIL Spec Tools, Hardware & Accessories](#) *category:*

Click to view products by [TE Connectivity](#) *manufacturer:*

Other Similar products are found below :

[0113-201-2025](#) [600-079-06](#) [600-146-06](#) [M10-101983-183](#) [M10-454396-008](#) [602GB18808](#) [6134-333-1990](#) [6134-334-1590](#) [6134-334-2190](#)
[CS3102A-22-14PW](#) [M2887615-CD](#) [627-009](#) [M38999/9-19B](#) [630A007NF083A](#) [630B007M051A](#) [630BJ003NF032H](#) [637-149NF04B](#)
[M39029/29-215](#) [6408-203V-09273](#) [6426-201-11343](#) [650FS002NF16](#) [660-008NF14S7-01](#) [660-009M22H8-03](#) [660-013NF19U6-210](#) [660-015M10S6-17](#) [660-015NF10S5-01](#) [660-015NF14R3.5-01](#) [660-023NF19H6-19](#) [660-024NF11S12-01](#) [660-024NF11S3-01](#) [660-024NF17S4-109](#) [660-050XM17F4-01](#) [660-068NF25R6-30G](#) [660-070M23S8-04](#) [660-073MTCH9-20](#) [M83723/61-18W](#) [M83723/61-218R](#) [M83723/61-224W](#) [667-084-23C](#) [667-084-35C](#) [667-224NF16](#) [687-697NF-1](#) [M85049/94-10-A](#) [M85049/96-7-A](#) [M855282-10A01A](#) [M85528/2-10B](#)
[M855282-18A01A](#) [M85528/2-22A01A](#) [M85528/2-22AA](#) [710HS460NF2508](#)