



BAND (SUPPLIED FLAT) (3)(8)
(SEE PART NUMBER BREAKDOWN FOR OPTIONS)

CODE 40 - BANDING BACKSHELL

BNX40AB00-1608 -S

SERIES _____
 BNX - BAND STRAP NOT INCLUDED
 BND - BAND STRAP INCLUDED
 (SEE BAND TERMINATION CONFIGURATION)
 CONNECTOR INTERFACE _____
 MATERIAL _____
 REFER TO CH00-0250-016
 FINISH _____
 REFER TO CH00-0250-016
 ANGLE _____
 ORDER NUMBER (TABLE 1) _____
 ENTRY SIZE (TABLE 2) _____
 BAND TERMINATION CONFIGURATION (3)(8) _____
 V - ONE STEP STANDARD BAND
 W - ONE STEP MICROBAND
 U - TWO STEP STANDARD BAND
 FOR BNX, LEAVE BLANK
 OPTION FIELD SEPARATOR _____
 MODIFICATION CODE _____
 REFER TO CH00-0250-016 (2)

NOTES:

1. THIS PRODUCT IS DESIGNED TO TERMINATE A BRAIDED CABLE SHIELD BY MEANS OF A BAND STRAP AND A HEAT SHRINKABLE LIPPED BOOT TO A CONNECTOR.

(2) FOR ADDITIONAL DIMENSIONS, ORDERING INFORMATION AND MODIFICATIONS, SEE CH00-0250-016.

(3) SEE DRAWING BND-XXXXX FOR MORE INFORMATION.

4. BACKSHELL TO BE PERMANENTLY MARKED WITH CODE IDENTIFICATION NUMBER AND FULL BASIC PART NUMBER (e.g. 06090-BND40AB00-1814). BACKSHELL TO BE MARKED WITH "BND" EVEN IF NO BAND IS ORDERED. THE BAND TERMINATION CONFIGURATION CODE IS FOR ORDERING INFORMATION ONLY AND IS NOT A PART MARKING REQUIREMENT.

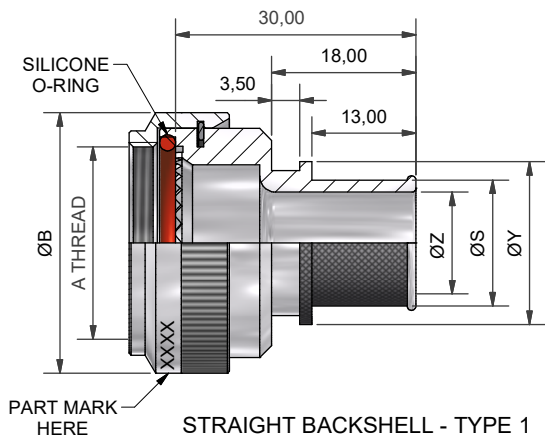
(5) ALL ENTRY SIZES ARE SHOWN IN TABLE 2. MAXIMUM ENTRY SIZES ARE SHOWN IN TABLE 1. IF MAX ENTRY IS EXCEEDED, A 2 PIECE BACKSHELL ASSEMBLY (TYPE 2) IS SUPPLIED. SEE CH00-0250-016 FOR FURTHER DETAILS.

6. BACKSHELL MATES TO MIL-DTL-38999, SERIES III AND IV, CLASS C, F, K, AND W, D38999/20, /24, /26, /40, /46 AND /47 CONNECTORS, AND WHEN SO MATED SHALL PROVIDE A WATER-TIGHT SEAL MEETING THE REQUIREMENTS OF MIL-C-85049, PARA. 3. 5. 7.

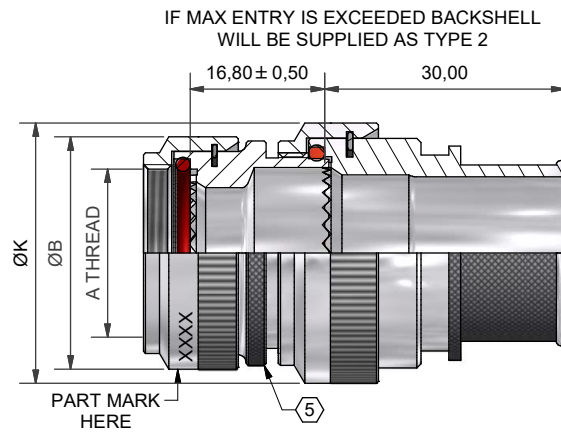
(7) THESE DIMENSIONS APPLY IF A SELF-LOCKING COUPLING NUT IS USED

(8) V AND U BANDS ARE SUITABLE FOR ENTRY SIZES 03-24, W IS SUITABLE FOR ENTRY SIZES 03-12 ONLY. CONTACT FACTORY FOR BAND OPTIONS ON LARGER ENTRY SIZES.

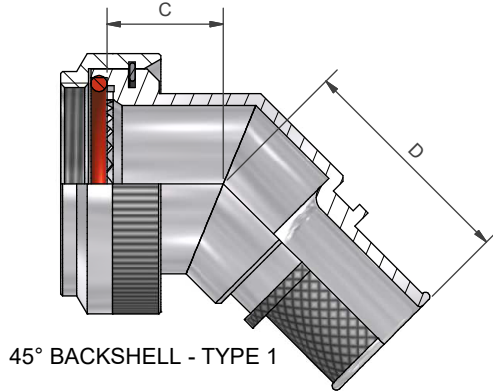
| | | | | | | |
|----------------------------------------------------|---------------------------|--------------------|--------------------------------------------------------------------------------------------------------------------------------------------------------------------------------------------------------------------------------------------------|--------------------------------------------------------------------------------------------------------------------------------------------------------------------------------------------------------------------|---------------------------------------------------------------------------------------|-----------------------------------------------------------|
| DRAWN | K.WINCZURA | DATE 15/09/2015 |  3RD ANGLE PROJECTION NOT TO SCALE UNLESS OTHERWISE SPECIFIED ALL DIMENSIONS IN MILLIMETRES GENERAL TOL LINEAR +/-0.25MM ANGULAR +/- 1° | TITLE: |  | |
| CHECKED | | 15/09/2015 | | BANDING BACKSHELL | | |
| APPROVED | K.SHEPPARD | 15/09/2015 | | | | ASSY USED ON: MIL-DTL-38999 SERIES III & IV |
| APPROVED | H.SMITH | 15/09/2015 | | | | |
| REVISIONS | | | | | | |
| LTR | DESCRIPTION | DATE | APPROVED | | | |
| F | REVISED PER ECO-15-010973 | 15/09/2015 | H.SMITH | | | |
| G | REVISED PER ECO-15-016545 | 17/11/2015 | H.SMITH | | | |
| TE CAGE CODE: 06090 POLAMCO/TE CAGE CODE: U5792 | | | | TE CONNECTIVITY - POLAMCO LTD RESERVES THE RIGHT TO AMEND THIS DRAWING AND THE INFORMATION SET FORTH HEREON AT ANY TIME. USERS SHOULD INDEPENDENTLY EVALUATE THE SUITABILITY OF THE PRODUCT FOR THEIR APPLICATION. | DRAWING NO: BND40A | |
| | | | | DRAWING REV: G | SHT 1 | |



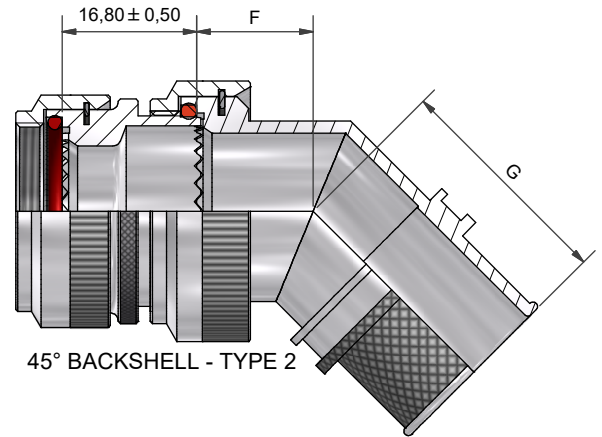
STRAIGHT BACKSHELL - TYPE 1



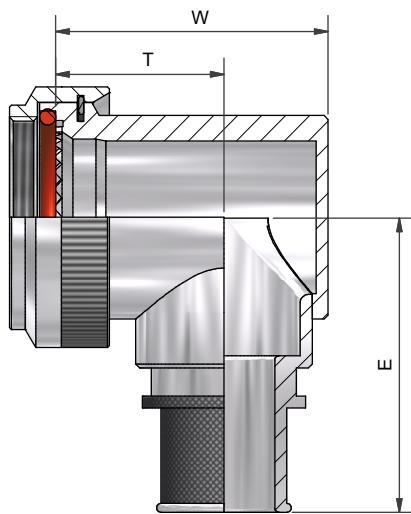
STRAIGHT BACKSHELL - TYPE 2



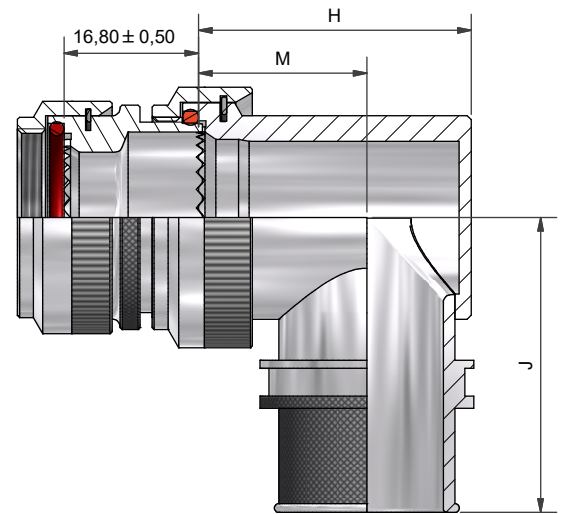
45° BACKSHELL - TYPE 1



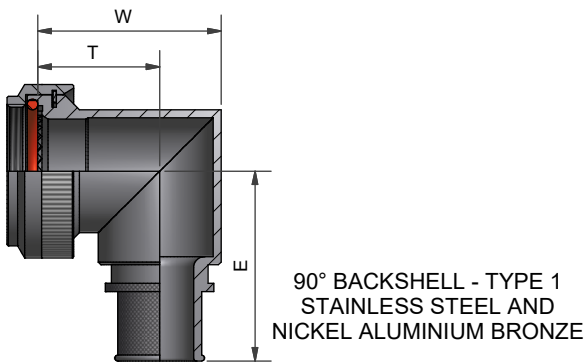
45° BACKSHELL - TYPE 2



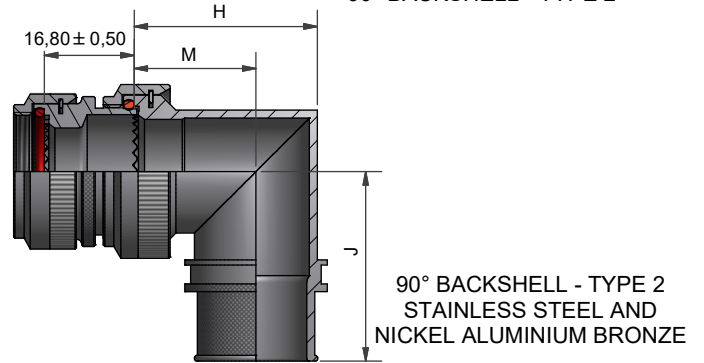
90° BACKSHELL - TYPE 1



90° BACKSHELL - TYPE 2



90° BACKSHELL - TYPE 1
STAINLESS STEEL AND
NICKEL ALUMINIUM BRONZE



90° BACKSHELL - TYPE 2
STAINLESS STEEL AND
NICKEL ALUMINIUM BRONZE

| | | | |
|-----------|---------------------------|------------|------------|
| DRAWN | K.WINCZURA | DATE | 15/09/2015 |
| CHECKED | | DATE | 15/09/2015 |
| APPROVED | K.SHEPPARD | DATE | 15/09/2015 |
| APPROVED | H.SMITH | DATE | 15/09/2015 |
| REVISIONS | | | |
| LTR | DESCRIPTION | DATE | APPROVED |
| F | REVISED PER ECO-15-010973 | 15/09/2015 | H.SMITH |
| G | REVISED PER ECO-15-016545 | 17/11/2015 | H.SMITH |



3RD ANGLE
PROJECTION
NOT TO
SCALE

UNLESS OTHERWISE SPECIFIED
ALL DIMENSIONS IN MILLIMETRES
GENERAL TOL
LINEAR +/-0.25MM
ANGULAR +/- 1°

TITLE:

BANDING BACKSHELL

ASSY USED ON:

MIL-DTL-38999 SERIES III & IV

TE CAGE CODE: 06090
POLAMCO/TE CAGE CODE: U5792

TE CONNECTIVITY - POLAMCO LTD RESERVES THE RIGHT TO AMEND THIS DRAWING
AND THE INFORMATION SET FORTH HEREON AT ANY TIME. USERS SHOULD
INDEPENDENTLY EVALUATE THE SUITABILITY OF THE PRODUCT FOR THEIR APPLICATION.

DRAWING NO:
BND40A

DRAWING REV:
G

SHT
2



Polamco



MODIFICATION S (SELF-LOCKING COUPLING NUT)

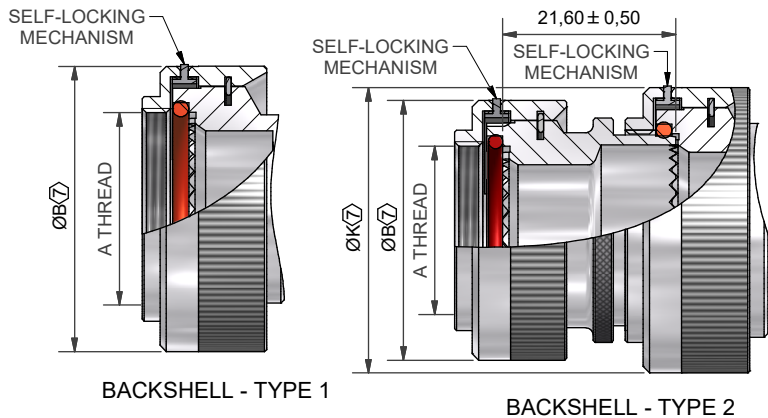
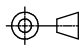


TABLE 1

| ORDER NUMBER | SHELL SIZE COM'L / MIL | A THREAD | ØB MAX | ØB MAX (7) | MAX ENTRY | C ±0,5 | D ±0,5 | W ±0,5 | T ±0,5 | E ±0,5 | THESE DIMENSIONS APPLY IF BACKSHELL IS STAINLESS STEEL OR NICKEL ALUMINIUM BRONZE | | |
|--------------|------------------------|-----------|--------|------------|-----------|--------|--------|--------|--------|--------|-----------------------------------------------------------------------------------|--------|--------|
| | | | | | | | | | | | W ±0,5 | T ±0,5 | E ±0,5 |
| 08 | 9 / A | M12 × 1.0 | 18,0 | 21,5 | 04 | 12,0 | 25,1 | 21,0 | 14,0 | 30,0 | 21,2 | 16,3 | 29,0 |
| 10 | 11 / B | M15 × 1.0 | 21,0 | 24,6 | 07 | 12,5 | 26,2 | 24,0 | 15,5 | 32,0 | 24,3 | 17,2 | 31,2 |
| 12 | 13 / C | M18 × 1.0 | 24,5 | 28,3 | 09 | 13,1 | 26,6 | 27,0 | 17,0 | 33,5 | 28,3 | 19,4 | 33,0 |
| 14 | 15 / D | M22 × 1.0 | 29,0 | 32,4 | 10 | 13,5 | 27,5 | 31,0 | 19,5 | 35,4 | 31,1 | 21,0 | 34,9 |
| 16 | 17 / E | M25 × 1.0 | 32,5 | 35,6 | 12 | 14,5 | 28,3 | 34,0 | 21,0 | 36,7 | 34,2 | 22,8 | 35,5 |
| 18 | 19 / F | M28 × 1.0 | 35,5 | 38,5 | 14 | 15,5 | 28,8 | 35,0 | 20,0 | 38,3 | 38,5 | 25,3 | 37,2 |
| 20 | 21 / G | M31 × 1.0 | 37,0 | 41,7 | 16 | 16,1 | 29,7 | 38,0 | 21,5 | 40,0 | 40,7 | 26,1 | 38,7 |
| 22 | 23 / H | M34 × 1.0 | 40,0 | 43,9 | 18 | 16,5 | 30,0 | 42,0 | 24,0 | 41,6 | 43,7 | 27,6 | 40,2 |
| 24 | 25 / J | M37 × 1.0 | 43,5 | 47,0 | 20 | 17,0 | 30,9 | 45,0 | 25,5 | 43,0 | 46,4 | 29,1 | 44,9 |

TABLE 2

| ENTRY SIZE | ØZ MIN | ØS MAX | ØY MAX | ØK MAX | ØK MAX (7) | F ±0,5 | G ±0,5 | H ±0,5 | M ±0,5 | J ±0,5 | THESE DIMENSIONS APPLY IF BACKSHELL IS STAINLESS STEEL OR NICKEL ALUMINIUM BRONZE | | |
|------------|--------|--------|--------|--------|------------|--------|--------|--------|--------|--------|-----------------------------------------------------------------------------------|--------|--------|
| | | | | | | | | | | | H ±0,5 | M ±0,5 | J ±0,5 |
| 03 | 4,7 | 7,8 | 14,0 | NA | NA | NA | NA | NA | NA | NA | NA | NA | NA |
| 04 | 6,3 | 9,4 | 14,0 | NA | NA | NA | NA | NA | NA | NA | NA | NA | NA |
| 05 | 7,9 | 11,0 | 15,5 | 21,0 | 24,6 | 12,5 | 26,2 | 24,0 | 15,5 | 32,0 | 24,3 | 17,2 | 31,2 |
| 06 | 9,5 | 12,5 | 17,2 | 21,0 | 24,6 | 12,5 | 26,2 | 24,0 | 15,5 | 32,0 | 24,3 | 17,2 | 31,2 |
| 07 | 11,1 | 14,1 | 18,7 | 21,0 | 24,6 | 12,5 | 26,2 | 24,0 | 15,5 | 32,0 | 24,3 | 17,2 | 31,2 |
| 08 | 12,7 | 15,7 | 20,3 | 24,5 | 28,3 | 13,1 | 26,6 | 27,0 | 17,0 | 33,5 | 28,3 | 19,4 | 33,0 |
| 09 | 14,2 | 17,3 | 21,9 | 24,5 | 28,3 | 13,1 | 26,6 | 27,0 | 17,0 | 33,5 | 28,3 | 19,4 | 33,0 |
| 10 | 15,8 | 18,8 | 23,5 | 29,0 | 32,4 | 13,5 | 27,5 | 31,0 | 19,5 | 35,4 | 31,1 | 21,0 | 34,9 |
| 11 | 17,4 | 20,5 | 25,1 | 32,5 | 35,6 | 14,5 | 28,3 | 34,0 | 21,0 | 36,7 | 34,2 | 22,8 | 35,5 |
| 12 | 19,0 | 22,0 | 26,7 | 32,5 | 35,6 | 14,5 | 28,3 | 34,0 | 21,0 | 36,7 | 34,2 | 22,8 | 35,5 |
| 13 | 20,6 | 23,6 | 28,3 | 35,5 | 38,5 | 15,5 | 28,8 | 35,0 | 20,0 | 38,3 | 38,5 | 25,3 | 37,2 |
| 14 | 22,2 | 25,2 | 29,9 | 35,5 | 38,5 | 15,5 | 28,8 | 35,0 | 20,0 | 38,3 | 38,5 | 25,3 | 37,2 |
| 15 | 23,8 | 26,8 | 31,5 | 37,0 | 41,7 | 16,1 | 29,7 | 38,0 | 21,5 | 40,0 | 40,7 | 26,1 | 38,7 |
| 16 | 25,4 | 28,4 | 33,1 | 37,0 | 41,7 | 16,1 | 29,7 | 38,0 | 21,5 | 40,0 | 40,7 | 26,1 | 38,7 |
| 18 | 28,6 | 30,0 | 36,3 | 40,0 | 43,9 | 16,5 | 30,0 | 42,0 | 24,0 | 41,6 | 43,7 | 27,6 | 40,2 |
| 20 | 31,8 | 34,8 | 39,5 | 43,5 | 47,0 | 17,0 | 30,9 | 45,0 | 25,5 | 43,0 | 46,4 | 29,1 | 44,9 |
| 22 | 35,0 | 38,0 | 42,7 | 48,5 | 50,0 | 18,5 | 31,3 | 54,5 | 31,0 | 45,1 | 50,0 | 31,0 | 45,1 |
| 24 | 38,1 | 41,1 | 45,9 | 52,1 | 56,0 | 21,9 | 32,8 | 58,0 | 33,0 | 51,1 | 53,5 | 33,0 | 51,1 |
| 26 (8) | 41,3 | 44,3 | 49,1 | 56,6 | 61,3 | 25,7 | 32,8 | 62,5 | 35,0 | 51,1 | 58,0 | 35,0 | 51,1 |
| 28 (8) | 44,5 | 47,5 | 52,3 | 63,0 | 64,5 | 26,9 | 33,8 | 65,5 | 34,5 | 54,1 | 61,0 | 34,5 | 54,1 |
| 30 (8) | 47,6 | 50,7 | 55,6 | 75,5 | 80,2 | 29,2 | 34,4 | 69,0 | 36,0 | 57,4 | 64,5 | 36,0 | 57,4 |
| 32 (8) | 50,8 | 53,8 | 58,5 | 75,5 | 80,2 | 29,2 | 34,4 | 72,0 | 37,5 | 57,4 | 67,5 | 37,5 | 57,4 |
| 34 (8) | 54,0 | 57,0 | 61,8 | 75,5 | 80,2 | 29,2 | 34,4 | 75,5 | 39,0 | 57,4 | 71,0 | 39,0 | 57,4 |

| | | | |
|----------------------------------------------------|---------------------------|---------------------------|------------------------------------------------------------------------------------------------------------------------------------------------------------------------------------------------------------------------------------------------------------|
| DRAWN | K.WINCZURA | DATE 15/09/2015 |  3RD ANGLE PROJECTION NOT TO SCALE UNLESS OTHERWISE SPECIFIED ALL DIMENSIONS IN MILLIMETRES GENERAL TOL LINEAR +/-0,25MM ANGULAR +/- 1° |
| CHECKED | | 15/09/2015 | |
| APPROVED | K.SHEPPARD | 15/09/2015 | |
| APPROVED | H.SMITH | 15/09/2015 | |
| REVISIONS | | | |
| LTR | DESCRIPTION | DATE | APPROVED |
| F | REVISED PER ECO-15-010973 | 15/09/2015 | H.SMITH |
| G | REVISED PER ECO-15-016545 | 17/11/2015 | H.SMITH |
| TE CAGE CODE: 06090 POLAMCO/TE CAGE CODE: U5792 | | | |

| | | | |
|--------------------------------------------------------------------------------------------------------------------------------------------------------------------------------------------------------------------|------------------------------------------|------------|--|
| TITLE: | BANDING BACKSHELL | | |
| ASSY USED ON: | MIL-DTL-38999 SERIES III & IV | | |
| TE CONNECTIVITY - POLAMCO LTD RESERVES THE RIGHT TO AMEND THIS DRAWING AND THE INFORMATION SET FORTH HEREON AT ANY TIME. USERS SHOULD INDEPENDENTLY EVALUATE THE SUITABILITY OF THE PRODUCT FOR THEIR APPLICATION. | | | |
| DRAWING NO: | DRAWING REV: | SHT | |
| BND40A | G | 3 | |



Polamco



TE
connectivity

X-ON Electronics

Largest Supplier of Electrical and Electronic Components

Click to view similar products for [Circular MIL Spec Strain Reliefs & Adapters](#) category:

Click to view products by [TE Connectivity](#) manufacturer:

Other Similar products are found below :

[896227-000](#) [899170S004](#) [6000-063-0022](#) [613751-000](#) [CS6624-000](#) [620AB038Z136](#) [620AS001Z108](#) [620AS038Z112](#) [620AS038Z120](#)
[620AS038Z132](#) [620FB038NF08](#) [620HA038NF13](#) [620HA038NF25](#) [620HA042XM13](#) [620HB049NF17](#) [620HS011NF21](#) [620HS038NF11](#)
[620HS038Z121](#) [620HS042XM19](#) [620HS042XM25](#) [620HS042XW13](#) [620HS048B17](#) [620MS064NF09](#) [620MS064NF12](#) [620MS065M12](#)
[620MS065Z107](#) [620MS065ZNU06](#) [630J041M06H](#) [630J041M20H](#) [637S010NF0212H](#) [640830-000](#) [659943-000](#) [66241-10A](#) [CW0597-000](#)
[CW0598-000](#) [CW0948-000](#) [CY0122-000](#) [M85049/41-6A W/B](#) [M85049/42-12DS](#) [M85049/47N8](#) [M85049/47W18](#) [M85049/51-1-14S](#)
[M85049/51-1-8W](#) [M85049/51S16S](#) [M85049/60-1N16](#) [M85049/60-2G12W](#) [M85049/69-11N](#) [CZ3661-000](#) [D02922-000](#) [70.360.1628.0](#)