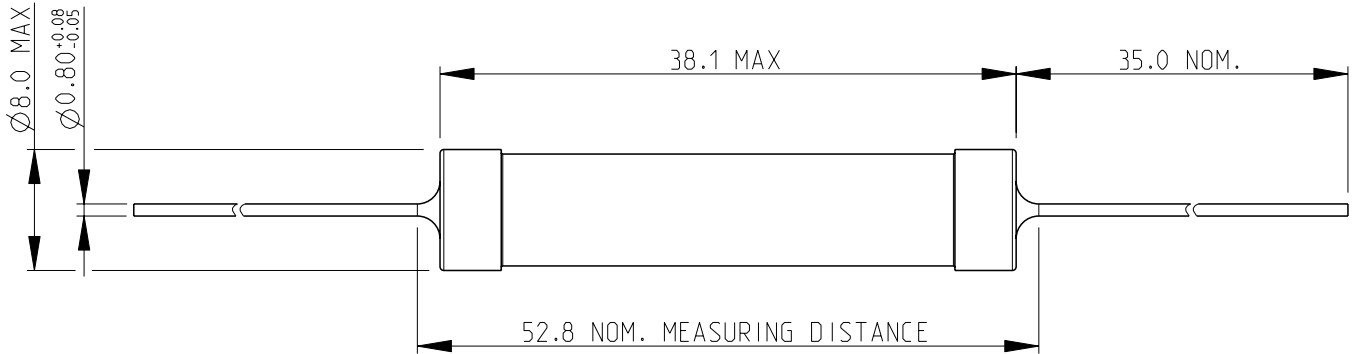


REVISIONS

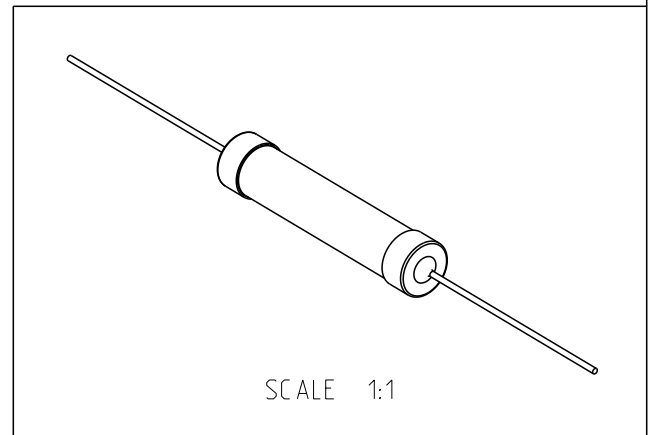
| P | LTR | DESCRIPTION | DATE | DWN | APVD |
|---|-----|---------------|-----------|-----|------|
| | BA2 | ECR-17-013465 | 13SEP2017 | RK | TN |

NOTES:

1. FOR FURTHER INFORMATION SEE DATA SHEET FOR C SERIES-HIGH POWER RESISTORS
2. WEIGHT 0.400 Kg PER 100 PIECES



RoHS Compliant



2008

RELEASED FOR PUBLICATION

ALL RIGHTS RESERVED.

THIS DRAWING IS UNPUBLISHED.

BY -

© COPYRIGHT 2008

| | | | | | | |
|--|------------------|-----------|---------------------------|-----------|------------|---------------|
| DIMENSIONS: mm | DWN | 16-Sep-08 | MATERIAL | - | FINISH | - |
| | CHK | 16-Sep-08 | | | | |
| TOLERANCES UNLESS OTHERWISE SPECIFIED: | APVD | 16-Sep-08 | | | | |
| 0 PLC ± 0.2 | PRODUCT SPEC | - | NAME HIGH POWER RESISTORS | | | |
| 1 PLC ± 0.1 | APPLICATION SPEC | - | SERIES C10 | | | |
| 2 PLC \pm | WEIGHT | - | SIZE | CAGE CODE | DRAWING NO | RESTRICTED TO |
| 3 PLC \pm | | - | A 4 | 00779 | C=1623773 | - |
| 4 PLC \pm | | | CUSTOMER DRAWING | SCALE | 2:1 | SHEET |
| ANGLES $\pm 5^\circ$ | | | | | | BA2 |

X-ON Electronics

Largest Supplier of Electrical and Electronic Components

Click to view similar products for [Wirewound Resistors - Through Hole](#) category:

Click to view products by [TE Connectivity](#) manufacturer:

Other Similar products are found below :

[75822-2K4](#) [90J56R](#) [PW10-39R-5%](#) [ALSR1-20](#) [EP3WS47RJ](#) [RWR81S1000BRB12](#) [RWR81S12R4FRB12](#) [RWR81SR511FRB12](#)
[RWR81SR619FRBSL](#) [RWR89S9310FPB12](#) [27J1K0](#) [93J62RE](#) [AC10000002208JAB00](#) [1HJ-25](#) [FSQ5WR47J](#) [25J39K](#) [25J5R0-B](#) [25W1D0](#)
[272-303-JBW](#) [280-PRM5-150-RC](#) [CP0005270R0JE1491](#) [CPCC0510R00JE32](#) [CPCC051R000JB31](#) [CPW052K500JE143](#)
[CPW05700R0JE143](#) [C1010RJL](#) [CA000210R00JE14](#) [VPR5F1500](#) [RS02B887R0FE73](#) [RWR74SR604FRB12](#) [RWR84S1001FRB12](#)
[RWR84S20R0FSBSL](#) [RWR89S6190FSB12](#) [CPW055R000JB143](#) [ULW5-39R0JT075](#) [W31-R47JA1](#) [W31-R047JA1](#) [VP25K-120](#) [VC3D900](#)
[ULW5-68RJT075](#) [65888-3R3](#) [CB5JB10R0](#) [CPW151K500JE313](#) [RWR80N3400FSB12](#) [RWR81S1000FRB12](#) [RWR81S1000FSB12](#)
[RWR89S6R81FRB12](#) [RWR89N30R1FRB12](#) [RWR81S4R99FPB12](#) [RWR74S4R02FRRSL](#)