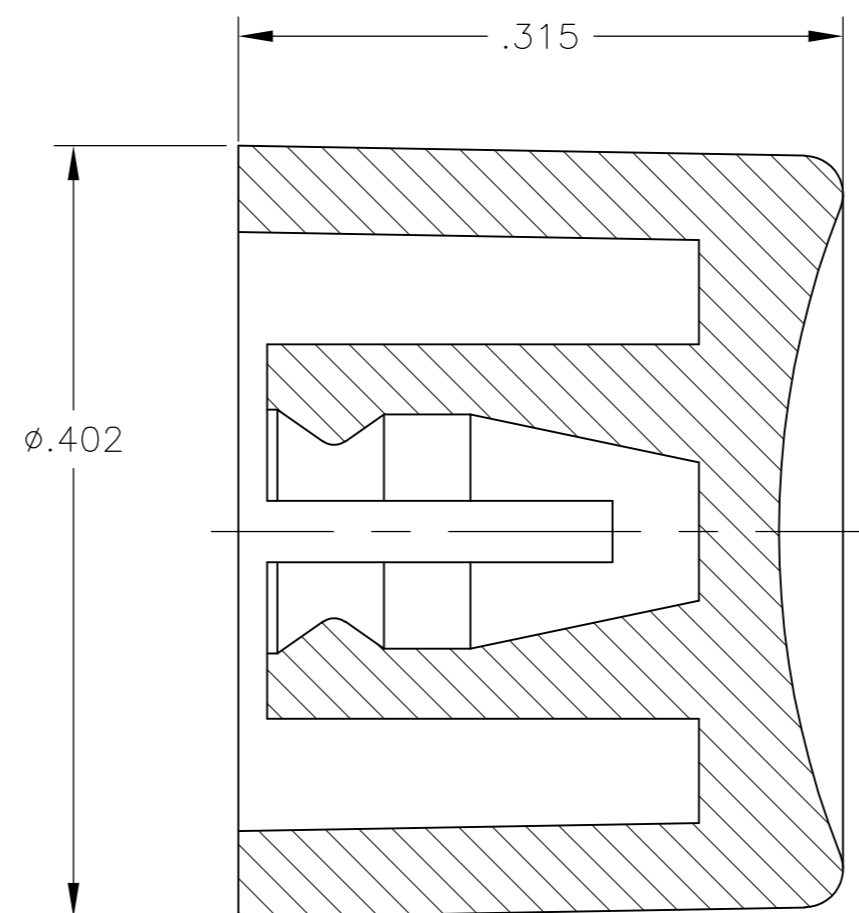
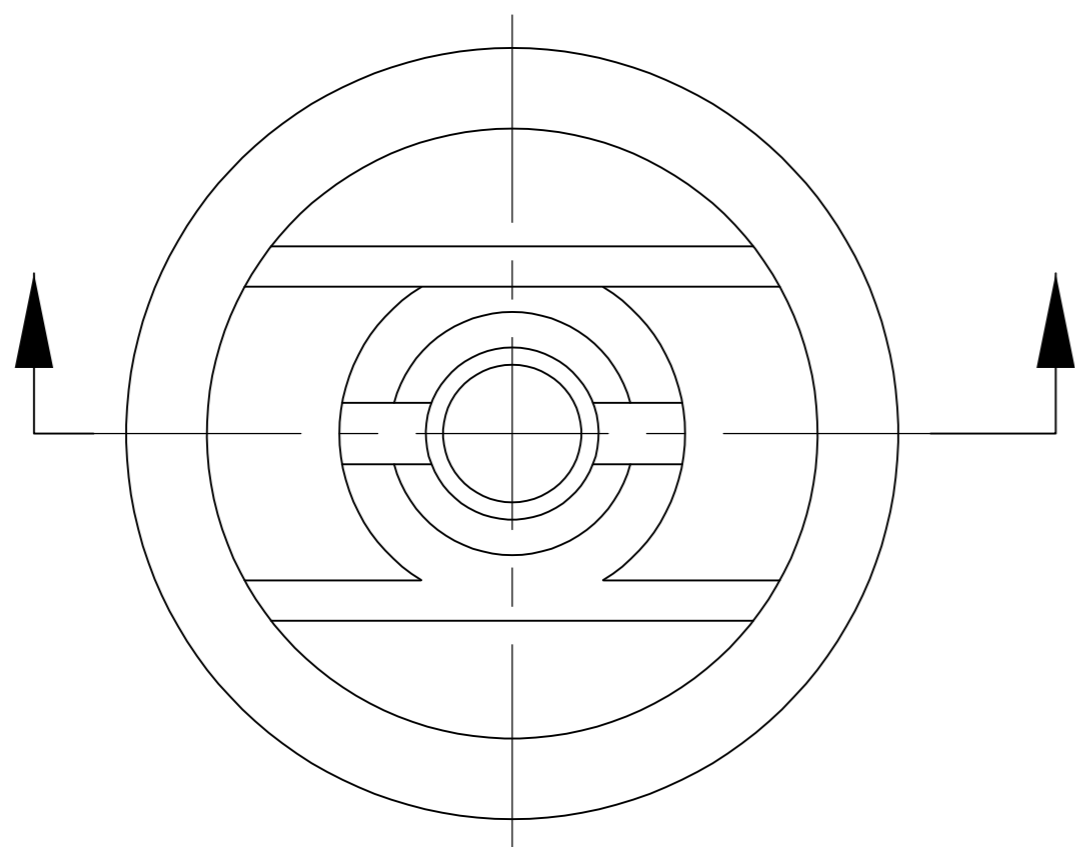


THIS DRAWING IS UNPUBLISHED. RELEASED FOR PUBLICATION
 © COPYRIGHT - By - ALL RIGHTS RESERVED.

LOC	DIST	REVISIONS					
AD	00	P	LTR	DESCRIPTION	DATE	DWN	APVD
			A2		REVISED PER ECO-14-016841	07NOV2014	NK

- MATERIAL SHALL COMPLY WITH EU DIRECTIVE 2002/95/EC OF 20JAN2003 (ROHS)
- CAP FOR USE WITH GREEN SERIES PUSHBUTTON SWITCHES AS SHOWN ON DRAWINGS 4-1437567-3 AND 2-1437567-9



WHITE	C22904	1825068-7
BLUE	C22604	1825068-6
GREEN	C22504	1825068-5
YELLOW	C22404	1825068-4
ORANGE	C22304	1825068-3
RED	C22204	1825068-2
BLACK	C22004	1825068-1
COLOR	ALCO PART NUMBER	PART NUMBER

THIS DRAWING IS A CONTROLLED DOCUMENT.		DWN	M.BINNER	30NOV04		TE Connectivity					
DIMENSIONS: INCHES		CHK	M.ZITTO	30NOV04		NAME					
		APVD	M.ZITTO	30NOV04		PRODUCT SPEC					
TOLERANCES UNLESS OTHERWISE SPECIFIED:		APPLICATION SPEC		NAME							
0 PLC ± - 1 PLC ± - 2 PLC ± - 3 PLC ± .003 4 PLC ± - ANGLES ± 1°		MATERIAL		WEIGHT		SIZE	CAGE CODE	DRAWING NO	RESTRICTED TO		
POLYAMIDE		FINISH		-		A2	00779	C=1825068	-		
CUSTOMER DRAWING						SCALE	10:1	SHEET	1 of 1	REV	A2

X-ON Electronics

Largest Supplier of Electrical and Electronic Components

Click to view similar products for [Switch Bezels / Switch Caps](#) category:

Click to view products by [TE Connectivity](#) manufacturer:

Other Similar products are found below :

[896809000](#) [LW1A-B2-R](#) [LW2A-B1-G](#) [704.604.4](#) [704.955.3](#) [F1403](#) [7527](#) [760203000](#) [760503000](#) [766601000](#) [785105000](#) [785106000](#)
[79211759](#) [MG12KB](#) [MH11](#) [MH13](#) [MHU31](#) [MJ1216](#) [MJ1226](#) [MJ33](#) [MJ612](#) [MJ626](#) [MJ627](#) [9001T8BK](#) [908-1634](#) [92-343.200](#) [92-343.400](#)
[95804.920](#) [95CAP-011](#) [95CAP-112](#) [11-932.7](#) [99-901.9](#) [99-902.9](#) [99-909.4](#) [99-909.5](#) [99-920.8](#) [A0261A](#) [11-931.2](#) [11-932.5](#) [11-936](#)
[AKTSC22B](#) [AT496H](#) [AW-RF8](#) [161006](#) [1825068-6](#) [184-1872](#) [187-1872](#) [188-1471](#) [18-920.1](#) [1DFBLK](#)