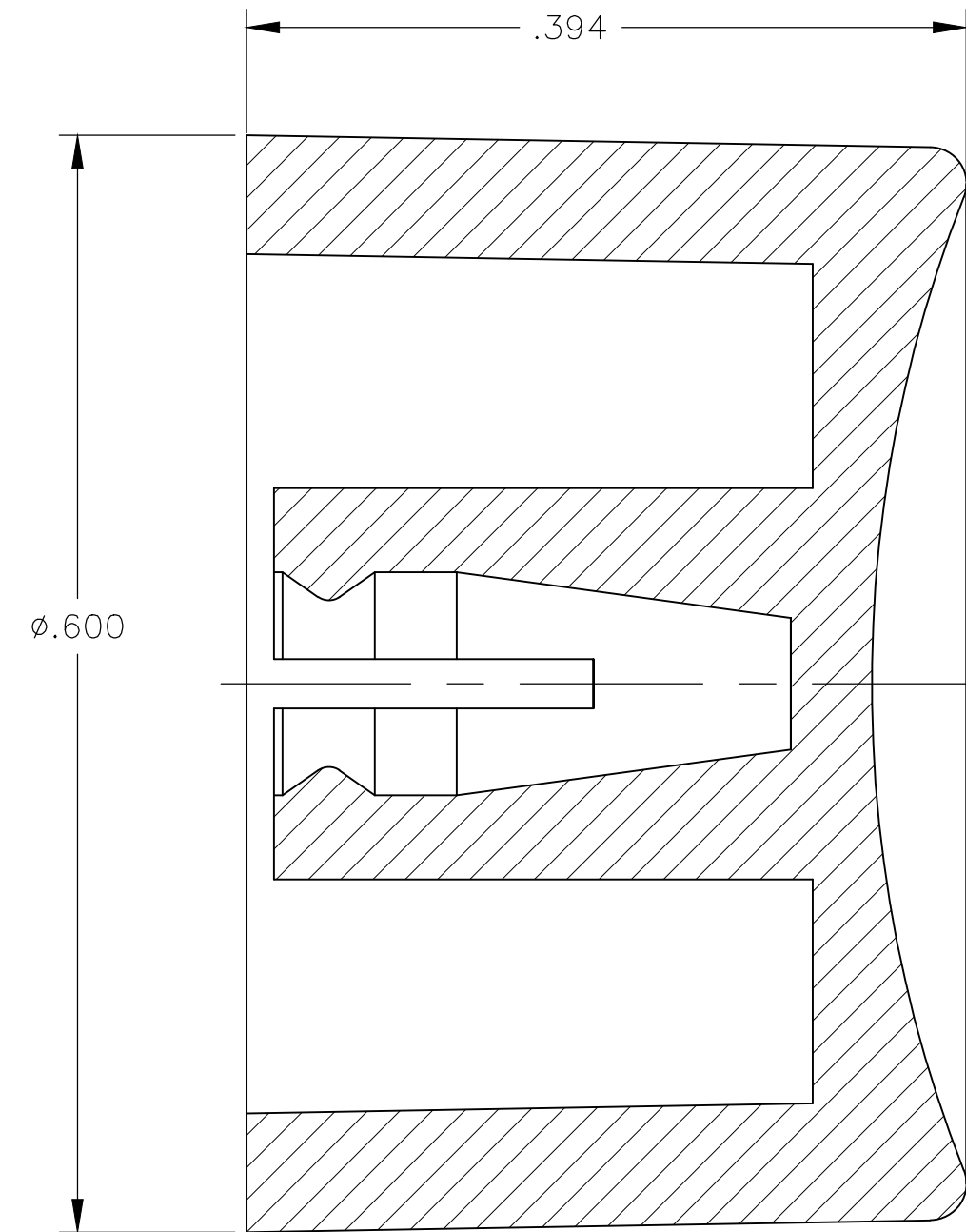
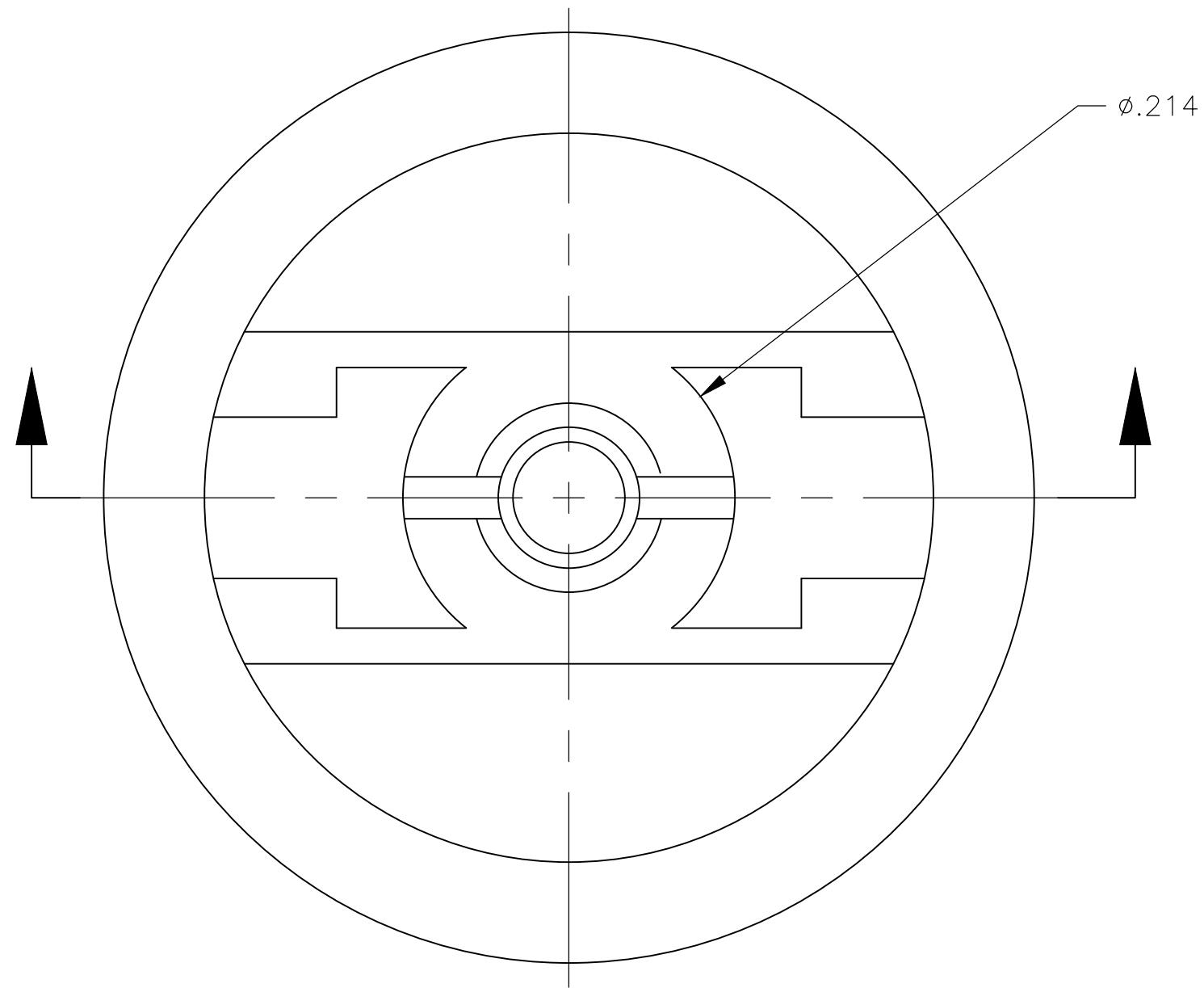


THIS DRAWING IS UNPUBLISHED. RELEASED FOR PUBLICATION
 © COPYRIGHT - By - ALL RIGHTS RESERVED.

REVISIONS					
P	LTR	DESCRIPTION	DATE	DWN	APVD
	A2	ECR-16-017266	01JUN2018	SR	PO



OBSOLETE	WHITE	C23904	1825069-7
	BLUE	C23604	1825069-6
	GREEN	C23504	1825069-5
OBSOLETE	YELLOW	C23404	1825069-4
	ORANGE	C23304	1825069-3
	RED	C23204	1825069-2
	BLACK	C23004	1825069-1
COLOR	ALCO PART NUMBER	TE PART NUMBER	

- MATERIAL SHALL COMPLY WITH EU DIRECTIVE 2002/95/EC OF 20JAN2003 (ROHS)
- CAP FOR USE WITH GREEN SERIES PUSHBUTTON SWITCHES AS SHOWN ON DRAWINGS 4-1437567-3 AND 2-1437567-9

THIS DRAWING IS A CONTROLLED DOCUMENT.		DWN	M.BINNER	30NOV04	 TE Connectivity Ltd.
DIMENSIONS: INCHES		CHK	M.ZITTO	30NOV04	
TOLERANCES UNLESS OTHERWISE SPECIFIED:		APVD	M.ZITTO	30NOV04	
0 PLC ± - 1 PLC ± - 2 PLC ± - 3 PLC ± .003 4 PLC ± - ANGLES ± 1°		PRODUCT SPEC	NAME		
MATERIAL	POLYAMIDE	FINISH	-	APPLICATION SPEC	-
WEIGHT		SCALE		SIZE	RESTRICTED TO
CUSTOMER DRAWING		10:1		A2 00779	-
DRAWING NO		SHEET		DRAWING NO	
C=1825069		1 of 1		C=1825069	
REV		REV		REV	
A2		A2		A2	

X-ON Electronics

Largest Supplier of Electrical and Electronic Components

Click to view similar products for [Switch Bezels / Switch Caps](#) category:

Click to view products by [TE Connectivity](#) manufacturer:

Other Similar products are found below :

[896809000](#) [LW1A-B2-R](#) [LW2A-B1-G](#) [704.604.4](#) [704.955.3](#) [F1403](#) [7527](#) [760203000](#) [760503000](#) [766601000](#) [785105000](#) [785106000](#)
[MG12KB](#) [MH11](#) [MH13](#) [MHU31](#) [MJ1216](#) [MJ1226](#) [MJ33](#) [MJ612](#) [MJ626](#) [MJ627](#) [9001T8BK](#) [908-1634](#) [92-343.200](#) [92-343.400](#) [95804.920](#)
[95CAP-011](#) [95CAP-112](#) [11-932.7](#) [99-901.9](#) [99-902.9](#) [99-909.4](#) [99-909.5](#) [99-920.8](#) [A0261A](#) [11-931.2](#) [11-932.5](#) [11-936](#) [AKTSC22B](#)
[AT496H](#) [AW-RF8](#) [161006](#) [1825068-6](#) [184-1872](#) [187-1872](#) [188-1471](#) [18-920.1](#) [1DFBLK](#) [1D-GRY](#)