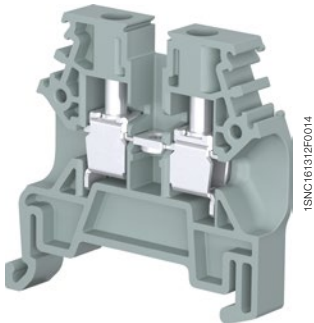
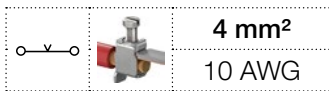
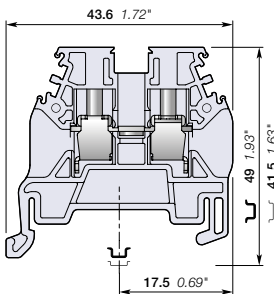


C4/6 screw clamp terminal blocks

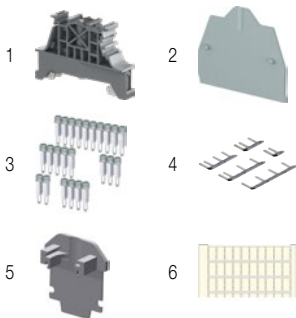
Feed-through - 6 mm 0.24 in spacing



C4/6



6 mm 0.24 in spacing



Description

- 4 mm² feed-through terminal with TE screw clamp connection

Ordering details

Description	Color	Type	Part Numbers	Pkg qty	Weight (1 pce) g
Feed-through 2 connections	Grey <input type="checkbox"/>	C4/6	1SNL606010R0000	100	6.4
	Blue <input checked="" type="checkbox"/>	C4/6.N	1SNL606020R0000	100	6.4

Main technical data

Connecting capacity		IEC	UL - CSA	Mounting instructions	
1 conductor per clamp	Rigid - Solid / Stranded	0.2 ... 6 mm ²	24 ... 10 AWG	Rail	TH 35-7.5, TH 35-15
	Flexible	0.2 ... 4 mm ²		Wire stripping length	10 mm 0.39 in
	with non insulated ferrule	0.2 ... 4 mm ²	24 ... 10 AWG		
	with insulated ferrule	0.2 ... 4 mm ²	24 ... 12 AWG		
Gauge		A4			
2 conductors per clamp	Rigid - Solid / Stranded	0.2 ... 2.5 mm ²	24 ... 14 AWG	Tool	Flat screwdriver Ø 4 mm 0.16 in
	Flexible	0.2 ... 2.5 mm ²			
	with twin ferrule	0.2 ... 2.5 mm ²	24 ... 16 AWG		
Rated current / Rated cross section		32 A / 4 mm ²	30 A / 10 AWG	Torque	0.65 N.m ± 0.15 5.75 lb.in ± 1.35
Rated short-time withstand current (1s)		480 A			
Short Circuit Current Rating (with specific conditions)					
Rated voltage		1000 V	600 V		
Impulse withstand voltage		8000 V			
Protection		IP20	NEMA 1		

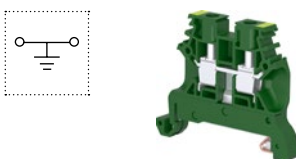
The connecting capacity data for one Rigid - Solid / Stranded - Flexible conductor (when applicable) is a mandatory information required by IEC, UL and CSA standards (Copper conductors). All other data are provided as supplementary information only. For more details, please consult our CB, UL or CSA certificates and technical datasheet available on <http://www.te.com>

CE	RoHS	UR	EAC		
CE	RoHS	USR	EAC		

Accessories

Description	Color	Type	Part Numbers	Pkg qty	Weight (1 pce) g	
1 End stops	Grey <input type="checkbox"/>	BAM4	1SNK900001R0000	50	12.00	
		BAZ1	1SNK900002R0000	50	4.70	
2 End sections	Grey <input type="checkbox"/>	EP5-6	1SNL900100R0000	20	1.6	
3 Jumper bars	Grey <input type="checkbox"/>	2 poles	BJC16-2	1SNL906602R0000	10	3.95
		3 poles	BJC16-3	1SNL906603R0000	10	5.9
		4 poles	BJC16-4	1SNL906604R0000	10	7.9
		5 poles	BJC16-5	1SNL906605R0000	10	9.87
		10 poles	BJC16-10	1SNL906610R0000	10	19.7
4 Lateral jumper bars	Grey <input type="checkbox"/>	2 poles	PC6-2	1SNA113546R1400	10	2.00
		3 poles	PC6-3	1SNA116536R0500	10	2.00
		4 poles	PC6-4	1SNA116537R0600	10	3.00
		10 poles	PC6-10	1SNA113548R2600	10	8.00
		25 poles	LJB6-25E	1SNL906751R0000	10	17.5
		50 poles	LJB6-50	1SNL906750R0000	10	25.5
5 Circuit separators	Grey <input type="checkbox"/>	CS5-6	1SNL900101R0000	10	1.16	
6 Terminal block markers	White <input type="checkbox"/>	RC610TT	1SNA233600R1700	22	12	
		RC610	1SNA233000R0100	10	7.50	

Complete list of accessories is indicated in the terminal block datasheet including end stops. Some accessories such as jumper bars may modify the terminal block's ratings: Complete information available in the accessories section of the catalog.



Ground screw clamp terminal blocks

Description	Color	Type	Part Numbers	Pkg qty	Weight (1 pce) g
Ground	Green-yellow <input checked="" type="checkbox"/>	C4/6.P	1SNL606150R0000	100	10.2

Technical data valid for copper conductors only.

X-ON Electronics

Largest Supplier of Electrical and Electronic Components

Click to view similar products for [Terminal Block Tools & Accessories](#) category:

Click to view products by [TE Connectivity](#) manufacturer:

Other Similar products are found below :

[600HL](#) [600RJ-07](#) [600RJ-14](#) [600RJS-10](#) [600RJS-12](#) [600RJS-15](#) [601RJ-09](#) [601RJS-09](#) [601RJS-13](#) [601RJS-14](#) [601RJS-18](#) [601RJS-21](#)
[601RJS-22](#) [602SP](#) [602Z](#) [604J](#) [CSTSPC1-2](#) [88943-2100](#) [9202230000](#) [QC102](#) [1437403-6](#) [1437403-9](#) [MT6/H-N](#) [MT8/H-51-60](#) [BC2-12](#)
[EP2.5/4UN/BG](#) [1840227](#) [1840230](#) [JA2-03](#) [JB1-03/J](#) [JB2-04](#) [JB2-05](#) [JB2-07](#) [JB2-09/J](#) [PARALLELJUMPERLINK](#) [JS601](#) [2302463](#) [2305949](#)
[8PCV-BUSHING](#) [91.201.1](#) [9200768](#) [2778.0](#) [281-421](#) [2MP/J](#) [2MV-06](#) [2006-CBLK](#) [FLRP/SKBD](#) [AMP99A06](#) [267A42-17](#) [275A16](#)