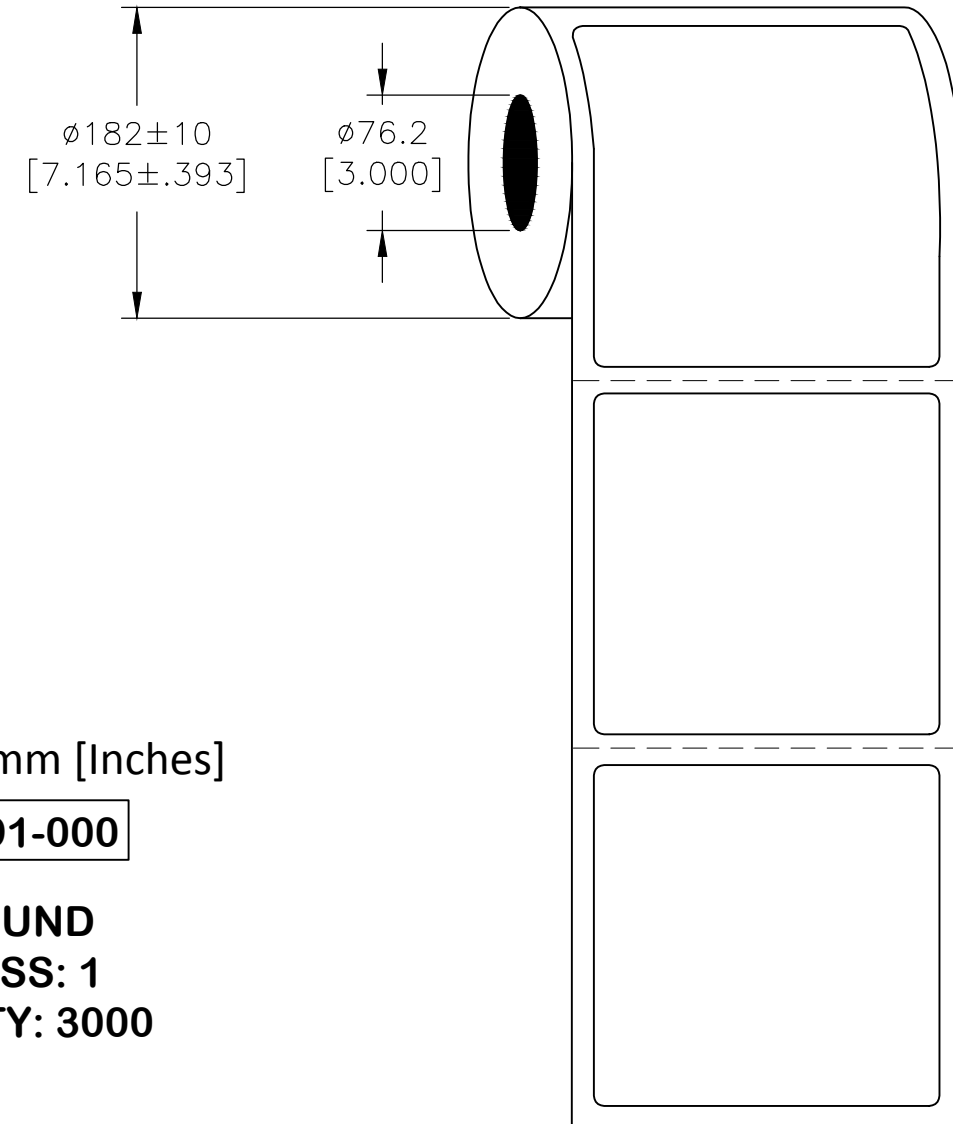
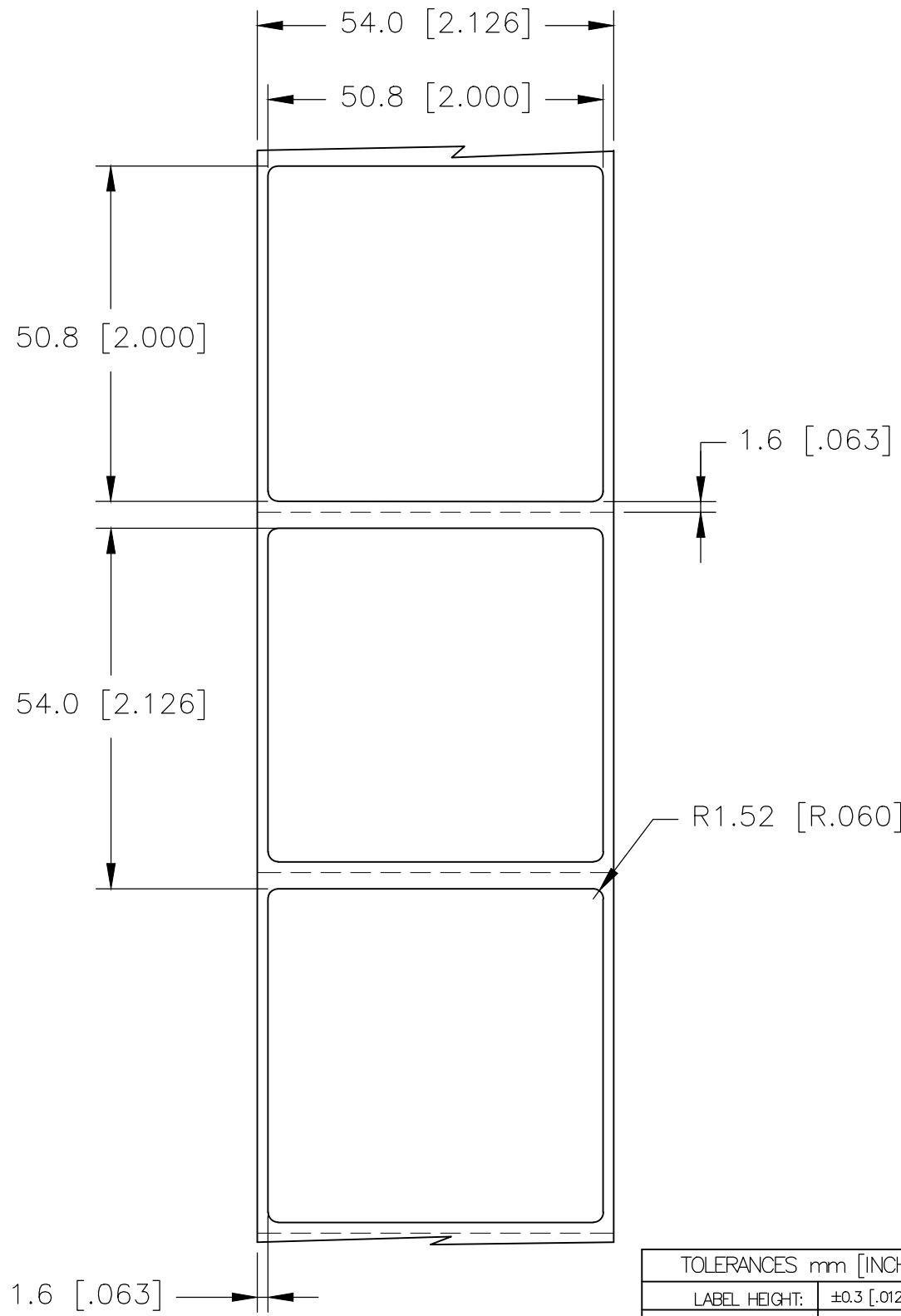


| P | LTR | DESCRIPTION | DATE | DWN | APVD |
|---|-----|-----------------|-----------|-----|------|
| | C | INITIAL RELEASE | 07AUG2020 | MN | AK |

LABEL AND LINER DESIGN

PRESENTATION



All dimensions in mm [Inches]

TE PN: C93791-000

**OUTSIDE WOUND
LABEL ACROSS: 1
PER ROLL QTY: 3000**

| | |
|---------------|---------------------|
| MATERIAL | METALIZED POLYESTER |
| ADHESIVE TYPE | PERMANENT |
| LINER | GLASSINE PAPER |

| TOLERANCES mm [INCH] | |
|----------------------|--------------|
| LABEL HEIGHT: | ±0.3 [.012] |
| LABEL WIDTH: | ±0.3 [.012] |
| WEB WIDTH: | ±0.8 [.031] |
| VERTICAL REPEAT: | ±0.8 [.031]* |
| HORIZONTAL REPEAT: | ±0.8 [.031]* |
| PRINT POSITIONING: | ±0.8 [.031]* |
| LEFT MARGIN: | ±0.4 [.016] |
| QUANTITY: | -0 % +2 % |
| *NON ACCUMULATING | |

THIS DRAWING IS A CONTROLLED DOCUMENT.

| DIMENSIONS: | TOLERANCES UNLESS OTHERWISE SPECIFIED: |
|-------------|--|
| mm [INCHES] | |
| | 0 PLC ± - |
| | 1 PLC ± - |
| | 2 PLC ± - |
| | 3 PLC ± - |
| | 4 PLC ± - |
| | ANGLES ± - |
| | FINISH ± - |

| | | |
|------------------|------------|-----------|
| DWN | M. NUTTALL | 07AUG2020 |
| CHK | M. NUTTALL | 07AUG2020 |
| APVD | A. KEAN | 07AUG2020 |
| PRODUCT SPEC | TTDS-074 | |
| APPLICATION SPEC | - | |
| WEIGHT | 0.232g | |
| CUSTOMER DRAWING | | |

| | | | | | |
|-----------------|--|------------------|--|---------------------------------|--|
| TE Connectivity | | NAME | | MP - METALIZED POLYESTER LABELS | |
| | | SIZE | | RESTRICTED TO | |
| CAGE CODE | | DRAWING NO | | SCALE | |
| A3C2290 | | G=MP-508508-3-8A | | NTS | |
| SHEET | | 1 OF 1 | | REV | |
| | | | | C | |

X-ON Electronics

Largest Supplier of Electrical and Electronic Components

Click to view similar products for [Labels and Industrial Warning Signs](#) category:

Click to view products by [TE Connectivity](#) manufacturer:

Other Similar products are found below :

[ESSW30-025](#) [FTP-020P0704](#) [QC101](#) [QC105](#) [QCC613](#) [QCC615](#) [132465](#) [142810](#) [15288](#) [15425](#) [18511](#) [HTS795-1](#) [30288](#) [1768021-2](#) [18432](#)
[1878679-3](#) [2-1878614-6](#) [PTL-31-427-YL](#) [30239](#) [QC154](#) [QCC612](#) [30545](#) [35070](#) [WM-15-PK](#) [WM-20-PK](#) [5-1768021-6](#) [06770](#) [111852](#)
[111932](#) [KMT-02513V-9](#) [8-1768039-4](#) [1878983-4](#) [B422 25X85MM](#) [PAXLBK10](#) [LAT-52-361-1](#) [PTL-20-486](#) [PTL-38-486](#) [13903](#) [11237](#)
[18389](#) [18341](#) [18603](#) [29904](#) [18519](#) [18524](#) [115110](#) [11199](#) [18542](#) [62351](#) [90731](#)