



# KILOVAC CAP120 HIGH-VOLTAGE CONTACTORS

COMPACT, HERMETICALLY SEALED FOR HARSH ENVIRONMENTS  
AND RATED FOR 150 A, 400 TO 600 VDC

# KILOVAC CAP120 CONTACTORS

Single Pole Hermetically Sealed 150 Amp DC Contactors



Designed for harsh environments and loads, the new Kilovac CAP120 contactor from TE Connectivity (TE) offers exceptional performance for a device this small and light. A reduced-size version of our popular MAP and CAP series contactors, the CAP120 contactor's small size and light weight opens up new application possibilities for a 150 A/600 Vdc device.

High break levels—1000 A at 400 Vdc and 600 A at 600 Vdc—help increase system flexibility and reliability.

CAP120 contactors provide reliable and long-lasting performance in military ground, military and commercial aerospace, and marine applications.

## HERMETICALLY SEALED

- Suitable for application in harsh and explosive environments
- No contact oxidation over periods of non-use

## SPACE AND WEIGHT SAVINGS

- Size reduced version of MAP/CAP 100 Series contactors

## VERSATILE

- Bidirectional switching
- Main contacts not polarity sensitive
- Panel mount
- Not position sensitive: mounts in any orientation

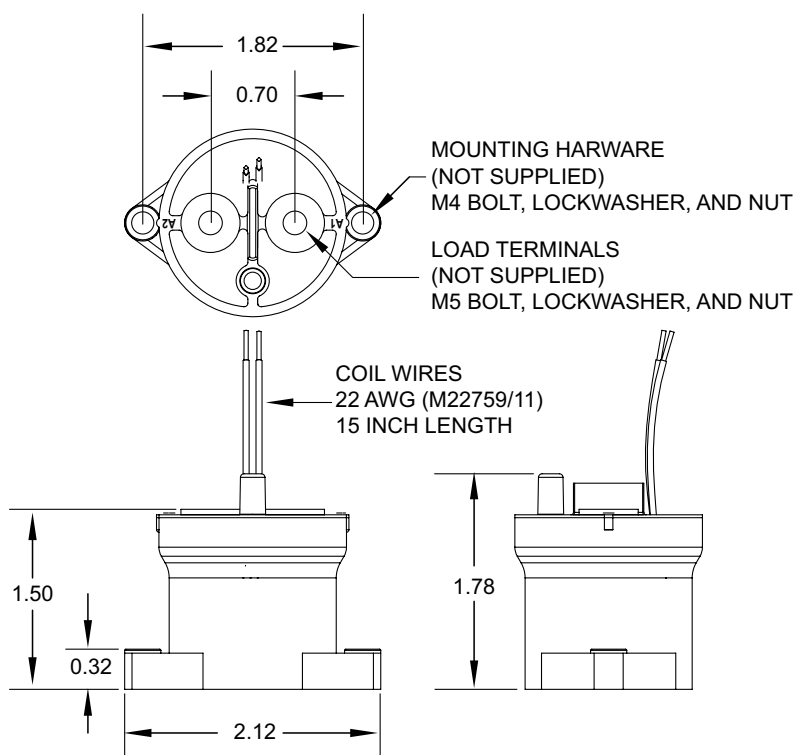
## EFFICIENT

- Integrated dual-coil electronic "cut-throat" economizer with suppression

## APPLICATIONS

- Energy storage systems
- Power distribution
- High-current battery systems
- Lithium ion battery systems
- Solar power

## PRODUCT DIMENSIONS (inches)



Coil Voltage	Description	Part No.
28 Vdc	CAP120ASANG	2-1618403-6
12 Vdc	CAP120AVANG	2-1618411-9

## TE Components . . . TE Technology . . . TE Know-how . . .

AMP | Agastat | CII | Hartman | Kilovac | Microdot | Nanonics | Polamco | Raychem | Rochester | DEUTSCH SEACON Phoenix | L.L. Rowe | Phoenix Optix | AFP | SEACON

Get your product to market faster with a smarter, better solution.



## Specifications

### MECHANICAL/ENVIRONMENTAL

- **Shock:** 11ms 1/2 sine (operating): 20 g peak
- **Sine Vibration:** 25 g peak: 55 to 2000 Hz
- **Random Vibration:** 13.3 grms:

Hz	15	100	450	900	2000
<b>g<sup>2</sup>/Hz</b>	0.002	0.002	0.12	0.12	0.083

- **Operating Temperature Range:** -40°C to +85°C
- **Weight:** 0.14 kg
- **Sealing:** Hermetic

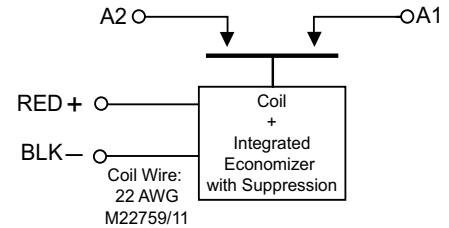
### ELECTRICAL DATA

- **Contact Arrangement:** SPST-NO (form X)
- **Voltage Rating:** 600 Vdc
- **Current Rating:** 150 A continuous
- **Contact Resistance:** 0.6 mΩ
- **Contact Voltage Drop @ 150 A:** 80 mV max.
- **Hot-Switching Performance, Resistive Load @ 600 Vdc:**  
 100 A Make/Break: 1000 cycles  
 600 A Break: 5 cycles  
 600 A Make: 25 cycles
- **Hot-Switching Performance, Resistive Load @ 400 Vdc:**  
 150 A Make/Break: 3250 cycles  
 1000 A Break Only: 5 cycles
- **Maximum Pulse Through Closed Contacts:** 1250 A
- **Dielectric Withstanding Voltage over Life:**  
 Terminal to Terminal: 1 mA max. @2800 Vrms  
 Terminals to Coil: 1 mA max. @1500 Vrms
- **Insulation Resistance over Life:**  
 Terminal to Terminal: 100 MΩ @ 500 Vdc new  
 Terminals to Coil: 50 MΩ min. @ 500 Vdc end of life
- **Mechanical Life:** 100,000 cycles min.

### COIL DATA (@ 20°C unless noted)

	<b>28 Vdc Contactors</b>	<b>12 Vdc Contactors</b>
<b>Coil Voltage, nom.:</b>	28 Vdc	12 Vdc
<b>Pick Up Voltage, max. over temperature range:</b>	16 Vdc	8.5 Vdc
<b>Hold Voltage, min:</b>	12 Vdc	7 Vdc
<b>Dropout Voltage:</b>	6 Vdc min.	7 Vdc max.
<b>Pickup Coil Resistance:</b>	6.5 Ω	2.5 Ω
<b>Hold Coil Resistance:</b>	200 Ω	51 Ω
<b>Coil Inrush Current @ 28 Vdc nom.:</b>	4.5 A	4.5 A
<b>Hold Current @28 Vdc</b>	0.15 A	0.25 A
<b>Coil Inrush Time, max.:</b>	100 ms	100 ms
<b>Operate Times:</b>		
<b>Operate Time:</b>	8 ms	15 ms
<b>Operate Bounce:</b>	3 ms	5 ms
<b>Release Time:</b>	5 ms	5 ms
<b>Coil Suppression (max.)</b>	42 V	42 V

### Schematic



## LET'S CONNECT

We make it easy to connect with our experts and are ready to provide all the support you need. Just call your local support number or visit [www.te.com/industrial](http://www.te.com/industrial) to chat with a Product Information Specialist.

## Technical Support

[te.com/support-center](http://te.com/support-center)

North America	+1 800 522 6752	Asia Pacific	+86 400 820 6015
North America (Toll)	+1 717 986 7777	Japan	044 844 8180
EMEA/South Africa	+800 0440 5100	Australia	+61 2 9554 2695
EMEA (Toll)	+31 73 624 6999	New Zealand	+64 (0) 9 634 4580
India (Toll-Free)	+800 440 5100		

[te.com/cap120](http://te.com/cap120)

Kilovac, TE, TE Connectivity and the TE connectivity (logo) are trademarks of the TE Connectivity Ltd. family of companies. Other products, logos, and company names mentioned herein may be trademarks of their respective owners.

While TE has made every reasonable effort to ensure the accuracy of the information herein, nothing herein constitutes any guarantee that such information is error-free, or any other representation, warranty or guarantee that the information is accurate, correct, reliable or current. The TE entity issuing this publication reserves the right to make any adjustments to the information contained herein at any time without notice. All implied warranties regarding the information contained herein, including, but not limited to, any implied warranties of merchantability or fitness for a particular purpose are expressly disclaimed. The dimensions herein are for reference purposes only and are subject to change without notice. Specifications are subject to change without notice.

Consult TE for the latest dimensions and design specifications.

© 2016 TE Connectivity Ltd. family of companies All Rights Reserved.

1-1773889-4 08/16

## X-ON Electronics

Largest Supplier of Electrical and Electronic Components

*Click to view similar products for* [Contactors - Electromechanical category:](#)

*Click to view products by* [TE Connectivity manufacturer:](#)

Other Similar products are found below :

[6-1618400-7](#) [686-117111](#) [686-120111](#) [686-924](#) [686-948](#) [70-901](#) [70-914](#) [MB-3D-6](#) [MC-22A/4-AC120V](#) [8-1616943-9](#) [8-1672124-5](#)  
[A40-30-10-84](#) [120-905](#) [A701U](#) [120-904](#) [1393132-9](#) [154-905](#) [154-912](#) [154-913](#) [154-915](#) [154-902](#) [154-910](#) [AVR743D](#) [B6-40-00-84](#) [B7-40-00-84](#) [1616017-5](#) [1616021-1](#) [MVDILM](#) [HP-11D-24](#) [P25-E5019-1](#) [P30C47A12D1-120](#) [P40C47A12D1-120](#) [P40P47D13P1-24-01](#) [CA7-12-10-240](#) [CA7-72-00-24Z](#) [90-162](#) [9-1393132-2](#) [2NC4F0222](#) [A275KXXV2-120VAC](#) [ACC338UMM20](#) [AF80-30-11-13](#) [SZ-B1](#) [CGC-9A-120](#) [3GC2H0M22](#) [3NC0T0A22](#) [3NC1Q0A22](#) [3NC2H0A22](#) [3NC2T0122/SE](#) [3TF3400-0BB4](#) [MC-12B-DC24V](#)