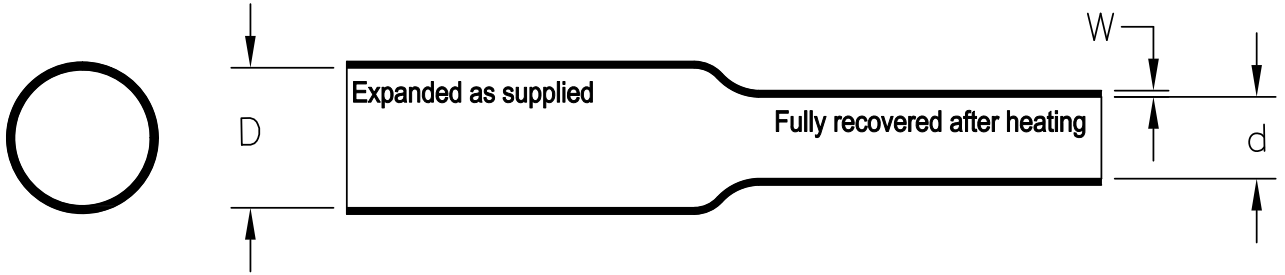


REVISIONS

P	LTR	DESCRIPTION	DATE	DWN	APVD
	D	Update to new Drawing format	9/11/19	J.B.	T.L.

RAYCHEM HF Tubing SCD




Dimensions mm (inches)

Size	As Supplied		As Recovered	
	Inside Diameter (D)	Inside Diameter (d)	Wall Thickness (W)	
	minimum	maximum	nominal	
HF-04	10.1 (0.400)	3.8 (0.150)	1.8 (0.070)	
HF-07	19.0 (0.750)	5.6 (0.221)	1.8 (0.070)	
HF-11	27.9 (1.100)	9.5 (0.375)	2.7 (0.105)	
HF-13	33.0 (1.300)	9.5 (0.375)	2.7 (0.105)	
HF-15	38.1 (1.500)	12.7 (0.500)	3.0 (0.120)	
HF-17	43.1 (1.700)	12.7 (0.500)	3.0 (0.120)	
HF-20	50.8 (2.000)	19.1 (0.750)	3.6 (0.140)	
HF-27	68.5 (2.700)	22.9 (0.900)	3.9 (0.155)	

**Color:** Standard Black  
Reference Specification 108-120060

THIS DRAWING IS UNPUBLISHED. ALL RIGHTS RESERVED. © COPYRIGHT 2019 TE Connectivity

DIMENSIONS: INCHES	DWN J. Bitter	11-Sep-2019	MATERIAL -	FINISH -
	CHK T. Licko	-	 TE Connectivity	
TOLERANCES UNLESS OTHERWISE SPECIFIED:  0 PLC ± - 1 PLC ± - 2 PLC ± - 3 PLC ± - 4 PLC ± - ANGLES ± -	APVD T. Licko	-		
	PRODUCT SPEC 108-120060	-	SIZE A4	CAGE CODE 06090
	APPLICATION SPEC -	-	DRAWING NO C=HF	RESTRICTED TO -
WEIGHT 0		CUSTOMER DRAWING		
SCALE 1:1		SHEET 1 OF 1		REV D

## X-ON Electronics

Largest Supplier of Electrical and Electronic Components

*Click to view similar products for [Heat Shrink Tubing and Sleeves](#) category:*

*Click to view products by [TE Connectivity](#) manufacturer:*

Other Similar products are found below :

[5685710001](#) [CR9960-000](#) [5734012004](#) [607381P039](#) [611112-000](#) [6284592002](#) [CX4711-000](#) [CZ1420-000](#) [D-306-38](#) [770-006S302](#) [770-010Y106W1](#) [770-018S103](#) [770-018S202W1](#) [770-018S205W1](#) [770-020S704W1](#) [770-020S705](#) [MFP-3/64"-Clear](#) [790-3012](#) [MHHT-4-15K2-G-104](#) [8003012003](#) [MIL-LT-1-1/2-4-SP](#) [MIL-LT-1-1/2-9-STK](#) [MIL-LT-1/2-2-STK](#) [MIL-LT-3-0-SP](#) [MIL-LT-3/32-0-SP](#) [MIL-LT-3/32-6-SP](#) [MIL-LT-3/4-4-STK](#) [MIL-LT-3/4-6-SP](#) [839602-000](#) [8423-6](#) [FP301-116-48"-Clear](#) [FP301-12-6"-Clear](#) [FP301-1/4-48"-White-Hdr](#) [FP301-18-48"-Black-Hdr](#) [FP301-1/8-6"-Black](#) [FP301-18-6"-Black-Bulk](#) [FP301-316-48"-Blue-Hdr](#) [912229N002](#) [R280637030](#) [HDCW-5515-1000](#) [HDT-0300-48A-BLACK](#) [HDT-0400-48A-Black](#) [HDT-0800-48A-RED](#) [HDT1100-48A-BLK](#) [HDT1500-48A-BLK](#) [HDT-2000-48A-Black](#) [RHW-70/20-1200/ADH-0](#) [DWP-125-0.450-4-55MM-CS879](#) [156082-000](#) [MT5500-3/8-X-SP](#)