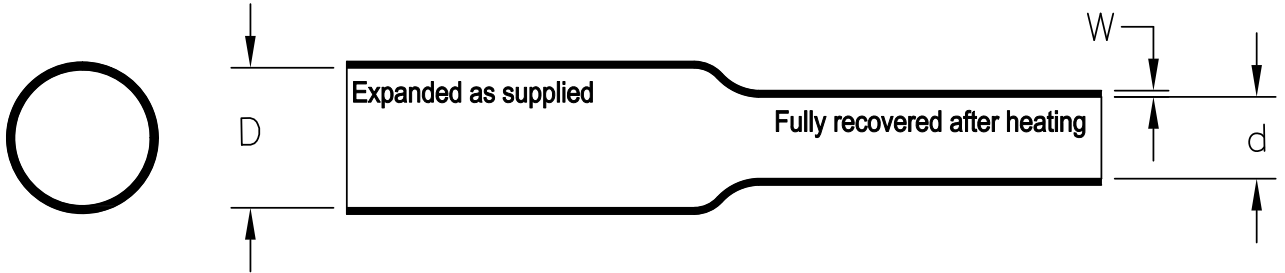


REVISIONS

P	LTR	DESCRIPTION	DATE	DWN	APVD
	D	Update to new Drawing format	9/11/19	J.B.	T.L.

RAYCHEM HF Tubing SCD




Dimensions mm (inches)

Size	As Supplied		As Recovered	
	Inside Diameter (D)		Inside Diameter (d)	Wall Thickness (W)
	minimum		maximum	nominal
HF-04	10.1 (0.400)		3.8 (0.150)	1.8 (0.070)
HF-07	19.0 (0.750)		5.6 (0.221)	1.8 (0.070)
HF-11	27.9 (1.100)		9.5 (0.375)	2.7 (0.105)
HF-13	33.0 (1.300)		9.5 (0.375)	2.7 (0.105)
HF-15	38.1 (1.500)		12.7 (0.500)	3.0 (0.120)
HF-17	43.1 (1.700)		12.7 (0.500)	3.0 (0.120)
HF-20	50.8 (2.000)		19.1 (0.750)	3.6 (0.140)
HF-27	68.5 (2.700)		22.9 (0.900)	3.9 (0.155)

**Color:** Standard Black  
Reference Specification 108-120060

THIS DRAWING IS UNPUBLISHED. ALL RIGHTS RESERVED. © COPYRIGHT 2019 TE Connectivity

DIMENSIONS: INCHES	DWN J. Bitter	11-Sep-2019	MATERIAL -	FINISH -
	CHK T. Licko	-	 TE Connectivity	
TOLERANCES UNLESS OTHERWISE SPECIFIED:  0 PLC ± - 1 PLC ± - 2 PLC ± - 3 PLC ± - 4 PLC ± - ANGLES ± -	APVD T. Licko	-		
	PRODUCT SPEC 108-120060		SIZE A4	CAGE CODE 06090
	APPLICATION SPEC -		DRAWING NO C=HF	RESTRICTED TO -
	WEIGHT 0		CUSTOMER DRAWING	
			SCALE 1:1	SHEET 1 OF 1
				REV D

## X-ON Electronics

Largest Supplier of Electrical and Electronic Components

*Click to view similar products for [Heat Shrink Tubing and Sleeves](#) category:*

*Click to view products by [TE Connectivity](#) manufacturer:*

Other Similar products are found below :

[770-006S102](#) [5685710001](#) [CR8248-000](#) [CR9960-000](#) [603312-4](#) [607381P039](#) [611112-000](#) [617867N001](#) [6500750004](#) [CZ1420-000](#) [D-306-38](#)  
[770-003S106W2](#) [770-005S105W1](#) [770-005S106W1](#) [770-007A303](#) [770-010Y106W1](#) [770-010Y706W1](#) [7771210001](#) [MFP-1/4"-Clear](#) [MFP-3/64"-Clear](#) [790-3012](#) [MFT-MT2000-NO.14-0-SP](#) [MHHT-4-15K2-G-104](#) [MIL-LT-1-1/2-4-SP](#) [MIL-LT-1-1/2-9-STK](#) [MIL-LT-1/2-2-STK](#)  
[MIL-LT-3-0-SP](#) [MIL-LT-3/32-0-SP](#) [MIL-LT-3/32-6-SP](#) [MIL-LT-3/4-6-SP](#) [MIL-LT-3/8-0-SP](#) [8159270001](#) [839602-000](#) [8423-6](#) [FP301-116-6"-Black](#) [FP301-1/2-48"-Black](#) [FP301-12-48"-Black-Hdr](#) [FP301-1/4-48"-Black](#) [FP301-1/4-48"-White-Hdr](#) [FP301-18-48"-Black-Hdr](#) [FP301-1/8-6"-Black](#) [FP301-18-6"-Black-Bulk](#) [FP301-316-48"-Blue-Hdr](#) [FP301-316-6"-Clear](#) [FP301-332-6"-Black](#) [912229N002](#) [120-126-16BL](#) [121-001-09](#) [121-018-32](#) [121-018-40](#)