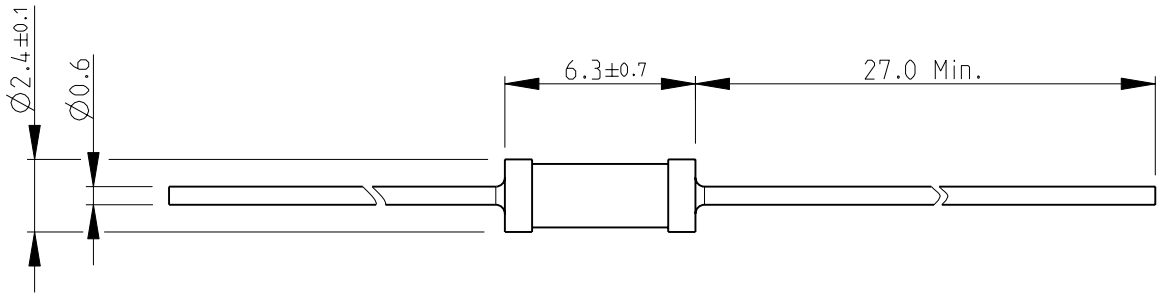
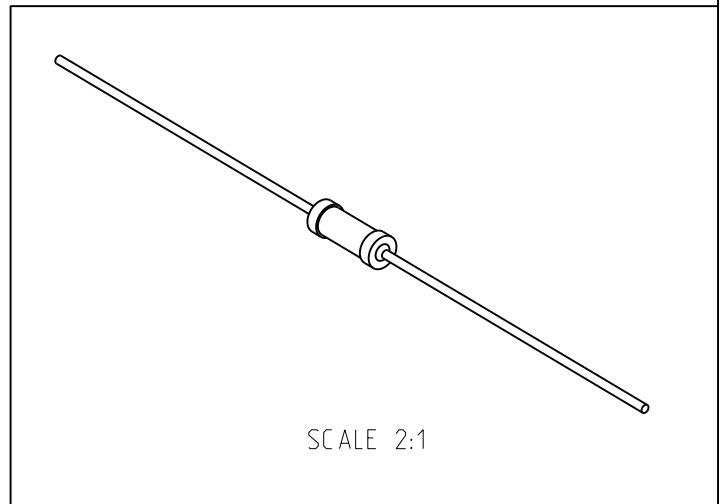


LOC	DIST	REVISIONS			
P	LTR	DESCRIPTION	DATE	DWN	APVD
E	B	A1	REVISED PER ECO-11-005150	28MAR2011	RK HMR

FOR FURTHER INFORMATION SEE DATA SHEET FOR
CBT SERIES-CARBON COMPOSITION RESISTORS



RoHS Compliant



SCALE 2:1

2008

RELEASED FOR PUBLICATION


THIS DRAWING IS UNPUBLISHED.

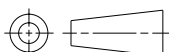
ALL RIGHTS RESERVED.

BY -

© COPYRIGHT 2008



DIMENSIONS: mm	DWN SUBHASH.M	16-Sep-08	MATERIAL	-	FINISH	-
	CHK PRAKASH.S	16-Sep-08	 TE Connectivity			
TOLERANCES UNLESS OTHERWISE SPECIFIED:	APVD STEPHEN.P	16-Sep-08				
	0 PLC ± 0.2	PRODUCT SPEC	NAME CARBON COMPOSITION RESISTORS SERIES CBT25			
1 PLC ± 0.1	-					
2 PLC \pm	APPLICATION SPEC	SIZE CAGE CODE DRAWING NO RESTRICTED TO A 4 00779 C-1625875 -				
3 PLC \pm	-					
4 PLC \pm	WEIGHT	-	CUSTOMER DRAWING SCALE 4:1 SHEET 1 OF 1 REV A1			
ANGLES $\pm 5^\circ$	-	-				



X-ON Electronics

Largest Supplier of Electrical and Electronic Components

Click to view similar products for [Carbon Composition Resistors](#) category:

Click to view products by [TE Connectivity](#) manufacturer:

Other Similar products are found below :

[OE5655](#) [OG5625](#) [OB1025](#) [OE1855](#) [OG2005](#) [OC2255](#) [OH6205](#) [QWCC339](#) [CF1/4W-18±5% T52](#) [RC0S2CA270RKE](#) [RC1/4272KB](#)
[OF110JE-TR](#) [3-1625875-1](#) [CF18JT910R](#) [RCC050 10R JB](#) [RCC025 2R7 J B](#) [CBT50J6K8](#) [CBT50K680R](#) [CF1/4W-10M±5%](#)
[CFR01SJ0100A10](#) [CFR01SJ0101A10](#) [CFR01SJ0102A10](#) [CFR01SJ018JA10](#) [CFR01SJ0202A10](#) [CFR01SJ0274A10](#) [CFR01SJ0304A10](#)
[CFR01SJ0331A10](#) [CFR01SJ0361A10](#) [CFR01SJ0390A10](#) [CFR01SJ0393A10](#) [CFR01SJ0470A10](#) [CFR01SJ051JA10](#) [CFR01SJ0560A10](#)
[CFR01SJ0683A10](#) [CFR01SJ0820A10](#) [CFR02SJ0103A10](#) [CFR02SJ0151AA0](#) [CFR02SJ0154AA0](#) [CFR02SJ0205A10](#) [CFR02SJ0220A10](#)
[CFR02SJ0224A10](#) [CFR02SJ022JA10](#) [CFR02SJ0303A10](#) [CFR02SJ0333A10](#) [CFR02SJ0393AA0](#) [CFR02SJ0431A10](#) [CFR02SJ0681A10](#)
[CFR03SJ0100AA0](#) [CFR03SJ0101AA0](#) [CFR03SJ0103AA0](#)