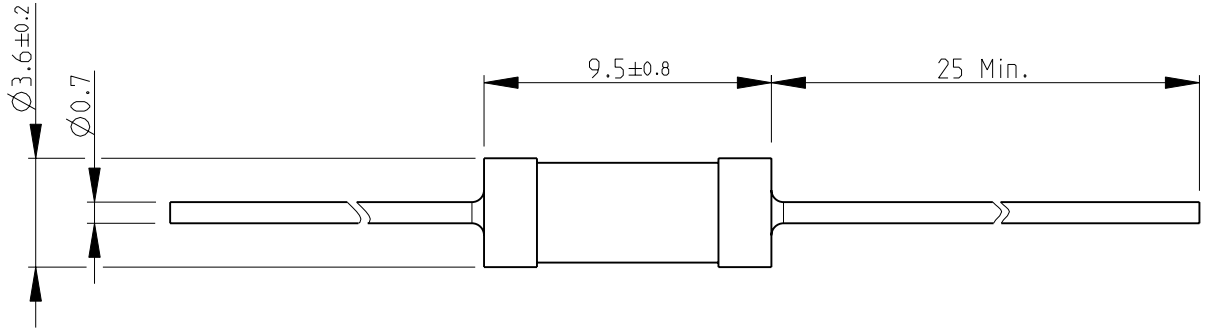
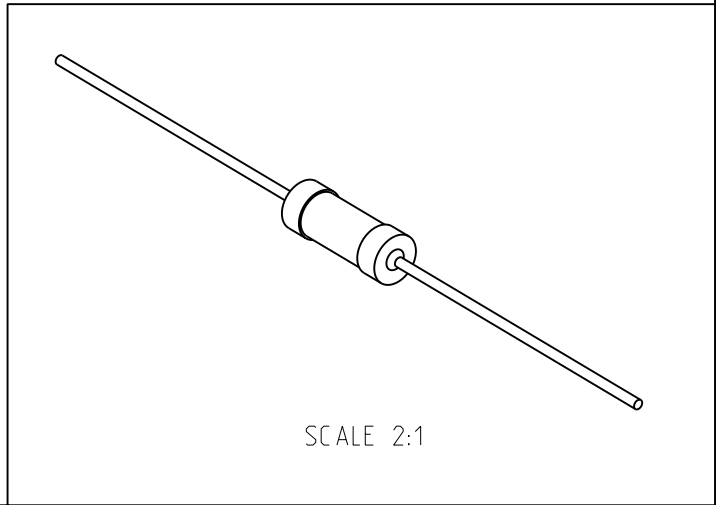


LOC	DIST	REVISIONS					
E	B	P	LTR	DESCRIPTION	DATE	DWN	APVD
		A1		REVISED PER ECO-11-005150	29MAR2011	RK	HMR

FOR FURTHER INFORMATION SEE DATA SHEET FOR CBT SERIES-CARBON COMPOSITION RESISTORS



RoHS Compliant



SCALE 2:1

2008


RELEASED FOR PUBLICATION

THIS DRAWING IS UNPUBLISHED.

ALL RIGHTS RESERVED.

BY -

© COPYRIGHT 2008

DIMENSIONS:	DWN	18-Sep-08	MATERIAL	-	FINISH	-	
mm	SUBHASH.M						
TOLERANCES UNLESS OTHERWISE SPECIFIED:	CHK	18-Sep-08	 TE Connectivity				
	PRAKASH.S						
0 PLC ± 0.2 1 PLC ± 0.1 2 PLC \pm 3 PLC \pm 4 PLC \pm ANGLES $\pm 5^\circ$	APVD	18-Sep-08	NAME CARBON COMPOSITION RESISTORS SERIES CBT50				
	STEPHEN.P						
	PRODUCT SPEC						
	APPLICATION SPEC		SIZE	CAGE CODE	DRAWING NO	RESTRICTED TO	
			A 4	00779	C-1625876	-	
	WEIGHT	-	CUSTOMER DRAWING			SCALE 4:1	SHEET 1 OF 1
						REV A1	

X-ON Electronics

Largest Supplier of Electrical and Electronic Components

Click to view similar products for [Carbon Composition Resistors](#) category:

Click to view products by [TE Connectivity](#) manufacturer:

Other Similar products are found below :

[OE5655](#) [OG5625](#) [OB1025](#) [OE1855](#) [OG2005](#) [OC2255](#) [OH6205](#) [QWCC339](#) [CF1/4W-18±5% T52](#) [RC0S2CA270RKE](#) [RC1/4272KB](#)
[OF110JE-TR](#) [3-1625875-1](#) [CF18JT910R](#) [RCC050 10R JB](#) [RCC025 2R7 J B](#) [CBT50J6K8](#) [CBT50K680R](#) [CF1/4W-10M±5%](#)
[CFR01SJ0100A10](#) [CFR01SJ0101A10](#) [CFR01SJ0102A10](#) [CFR01SJ0104A10](#) [CFR01SJ0105A10](#) [CFR01SJ018JA10](#) [CFR01SJ0202A10](#)
[CFR01SJ0203A10](#) [CFR01SJ0274A10](#) [CFR01SJ0304A10](#) [CFR01SJ0331A10](#) [CFR01SJ0334A10](#) [CFR01SJ0361A10](#) [CFR01SJ0390A10](#)
[CFR01SJ0393A10](#) [CFR01SJ0470A10](#) [CFR01SJ051JA10](#) [CFR01SJ0560A10](#) [CFR01SJ0561A10](#) [CFR01SJ0683A10](#) [CFR01SJ0820A10](#)
[CFR02SJ0101A10](#) [CFR02SJ0103A10](#) [CFR02SJ0120AA0](#) [CFR02SJ0121AA0](#) [CFR02SJ0151AA0](#) [CFR02SJ0154AA0](#) [CFR02SJ0220A10](#)
[CFR02SJ0224A10](#) [CFR02SJ022JA10](#) [CFR02SJ0303A10](#)