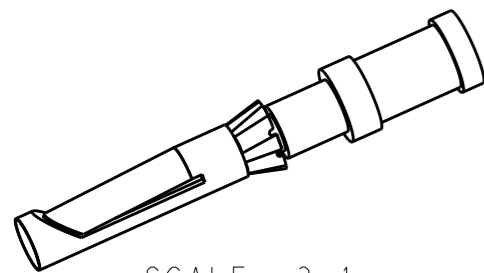


THIS DRAWING IS UNPUBLISHED. RELEASED FOR PUBLICATION 20
 © COPYRIGHT 20 BY - ALL RIGHTS RESERVED.

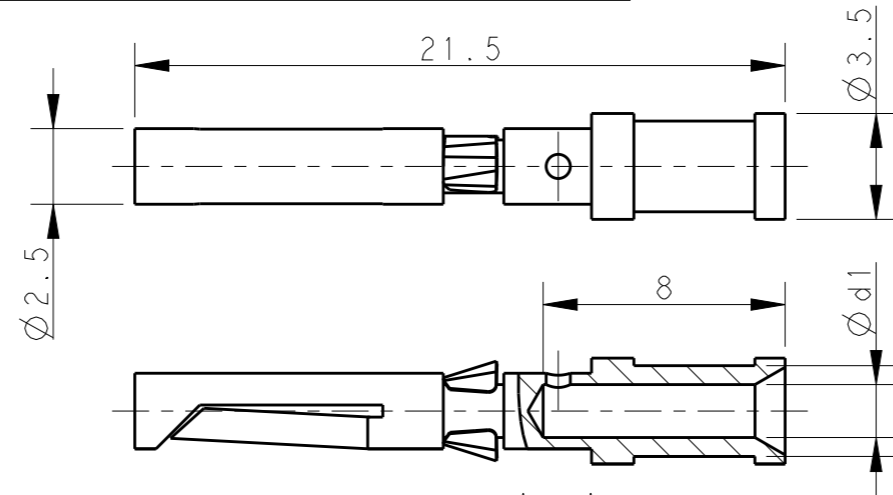
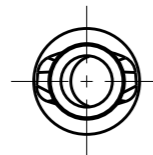
REVISIONS

| P | LTR | DESCRIPTION | DATE | DWN | APVD |
|---|-----|---------------|-----------|-----|------|
| | A | INITIAL | 22NOV2014 | DW | CW |
| | A1 | ECR-15-004312 | 19MAR2015 | DW | CW |
| | A2 | ECR-15-010519 | 20JUN2015 | DW | CW |
| | A3 | ECR-17-014183 | 27SEP2017 | DW | CW |



SCALE 3:1

1) $\phi d1=0.90, 1.10, 1.30, 1.45, 1.75$



SECTION A-A

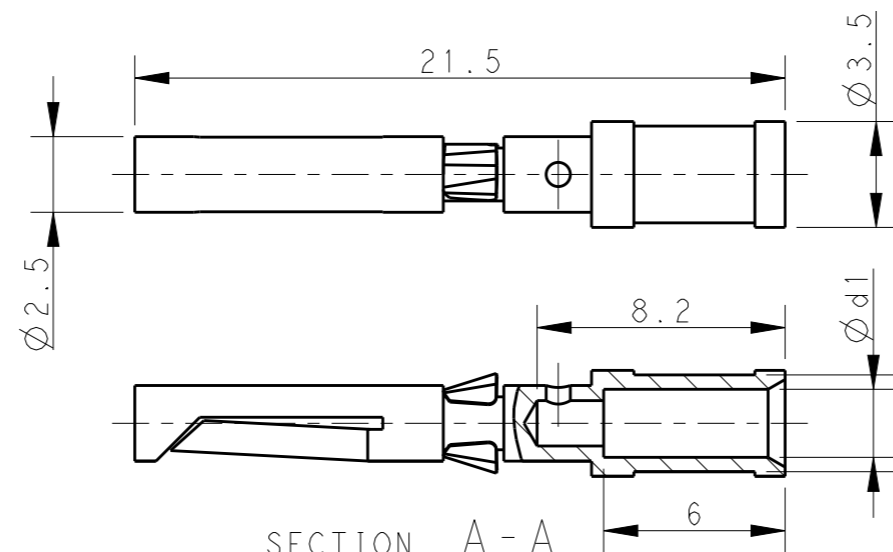
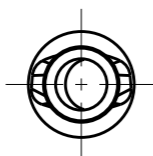
NOTES:

- TECHNICAL CHARACTERISTICS:
 SOCKET CONTACT MATERIAL: BRASS
 SURFACE PLATING:
 SILVER PLATING: $\geq 2\mu m$
 GOLD PLATING: $\geq 0.75\mu m$
 CONTACT RESISTANCE: $\leq 5 m\Omega$
 WIRE RANGE: 0.14-2.5 mm² (26-14 AWG)
 OPERATION TEMPERATURE: -40-+125°C

注释:

- 技术参数:
 母针材料: 黄铜
 表面电镀:
 镀银: $\geq 2\mu m$
 镀金: $\geq 0.75\mu m$
 接触电阻: $\leq 5 m\Omega$
 接线范围: 0.14-2.5 mm² (26-14 AWG)
 工作温度: -40-+125°C

2) $\phi d1=2.25$



SECTION A-A

| SILVER PLATING 镀银 | | | GOLD PLATING 镀金 | | | $\phi d1$ | $\phi d2$ | WIRE GAUGE 线规 | | STRIPPING LENGTH 剥线长度 (mm) |
|-------------------|---------------------|--|-----------------|---------------------|--|-----------|-----------|-----------------|-------|----------------------------|
| PART NUMBER 料号 | PART DESCRIPTION 描述 | | PART NUMBER 料号 | PART DESCRIPTION 描述 | | | | MM ² | AWG | |
| T2020002002-000 | CDF-0.3 | CDF-0.3, SILVER PLATING DD母针 0.14-0.37mm ² , 镀银 | T2020012002-000 | DDF-0.3 | DDF-0.3, GOLD PLATING DD母针 0.14-0.37mm ² , 镀金 | 0.90 | 2.55 | 0.14-0.37 | 26-22 | 8 |
| T2020002005-000 | CDF-0.5 | CDF-0.5, SILVER PLATING DD母针 0.5mm ² , 镀银 | T2020012005-000 | DDF-0.5 | DDF-0.5, GOLD PLATING DD母针 0.5mm ² , 镀金 | 1.10 | 2.60 | 0.5 | 20 | |
| T2020002008-000 | CDF-0.75 | CDF-0.75, SILVER PLATING DD母针 0.75mm ² , 镀银 | T2020012008-000 | DDF-0.75 | DDF-0.75, GOLD PLATING DD母针 0.75mm ² , 镀金 | 1.30 | 2.60 | 0.75 | 18 | |
| T2020002010-000 | CDF-1.0 | CDF-1.0, SILVER PLATING DD母针 1.0mm ² , 镀银 | T2020012010-000 | DDF-1.0 | DDF-1.0, GOLD PLATING DD母针 1.0mm ² , 镀金 | 1.45 | 2.60 | 1.0 | 18 | |
| T2020002015-000 | CDF-1.5 | CDF-1.5, SILVER PLATING DD母针 1.5mm ² , 镀银 | T2020012015-000 | DDF-1.5 | DDF-1.5, GOLD PLATING DD母针 1.5mm ² , 镀金 | 1.75 | 3.00 | 1.5 | 16 | |
| T2020002025-000 | CDF-2.5 | CDF-2.5, SILVER PLATING DD母针 2.5mm ² , 镀银 | T2020012025-000 | DDF-2.5 | DDF-2.5, GOLD PLATING DD母针 2.5mm ² , 镀金 | 2.25 | 3.20 | 2.5 | 14 | 6.2 |

THIS DRAWING IS A CONTROLLED DOCUMENT.

| | | | |
|----------------|---|--|----|
| DIMENSIONS: mm | | TOLERANCES UNLESS OTHERWISE SPECIFIED: | |
| | | 0 PLC | ±- |
| | | 1 PLC | ±- |
| | | 2 PLC | ±- |
| | | 3 PLC | ±- |
| | | 4 PLC ANGLES | ±- |
| MATERIAL | - | FINISH | - |

| | | |
|------------------|------------|------------|
| DWN | 22NOV2014 | David Wang |
| CHK | 22NOV2014 | Chris Wang |
| APVD | 22NOV2014 | Xiang Xu |
| PRODUCT SPEC | 108-137042 | |
| APPLICATION SPEC | 114-137042 | |
| WEIGHT | - | |
| Customer Drawing | | |



| | | | | | |
|-------|-----------|------------------|---------------|-------------------------------|--|
| NAME | | | | CDF/DDF HD/HDD SOCKET CONTACT | |
| SIZE | CAGE CODE | DRAWING NO | RESTRICTED TO | | |
| A3 | 00779 | ©-T20200X20XX000 | - | | |
| SCALE | | SHEET | OF | REV | |
| 4:1 | | 1 | 1 | A3 | |

X-ON Electronics

Largest Supplier of Electrical and Electronic Components

Click to view similar products for [Headers & Wire Housings](#) category:

Click to view products by [TE Connectivity](#) manufacturer:

Other Similar products are found below :

[95000-104TRLF](#) [10135584-644402LF](#) [DF62W-EP2022PCA](#) [95000-106TRLF](#) [DF62W-2022SCA](#) [48050-002LF](#) [DF62W-EP2022PC](#) [2203348](#)
[DF62W-2022SC](#) [1084018](#) [1029039](#) [1084017](#) [802-10-012-10-002000](#) [1112640](#) [1112639](#) [891-007-9SS-BST1T](#) [000-34000](#) [0008550134](#)
[0009482033](#) [0009507031](#) [0009524054](#) [57102-F02-18ULF](#) [57102-S06-03LF](#) [57202-S52-04LF](#) [PCN6-15S-2.5E](#) [0039019024](#) [58102-G61-](#)
[06LF](#) [582553-1](#) [0009485154](#) [0009508121](#) [0022285053](#) [0050291907](#) [018731A](#) [LY20-4P-DT1-P1E-BR](#) [02.125.8002.8](#) [60101931](#) [60598-1](#)
[\(Cut Strip\)](#) [M1625-3R/100](#) [61062-3](#) [61082-181009](#) [632209-000](#) [636-1427](#) [638009-1](#) [641938-9](#) [641991-4](#) [644168-1](#) [644827-2](#) [647662-1](#)
[65039-019ELF](#) [65692-001LF](#)