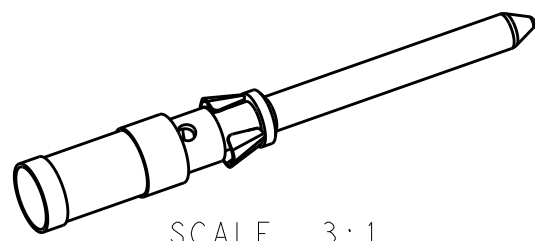
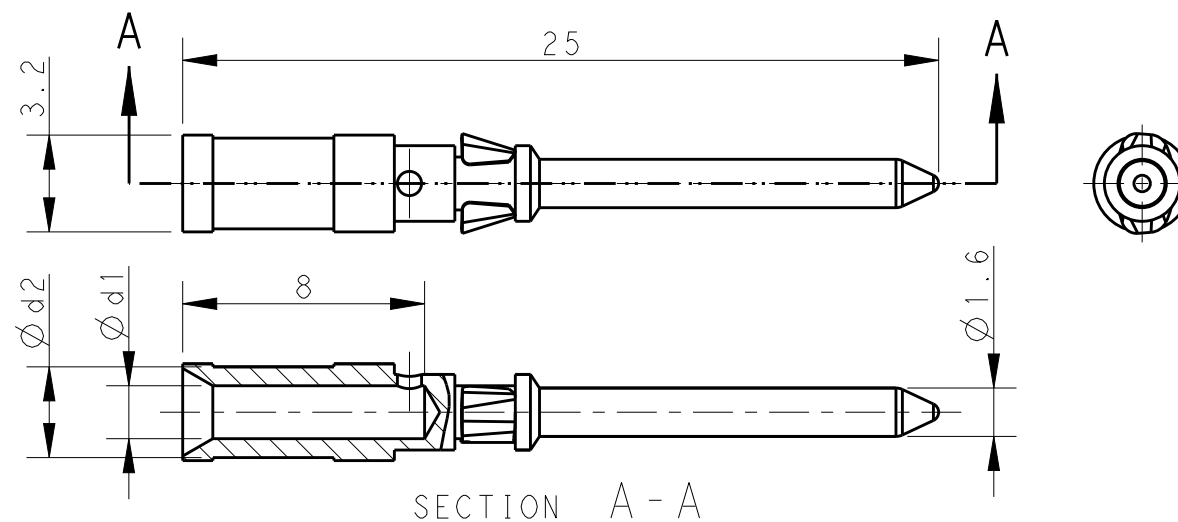


REVISIONS

| P | LTR | DESCRIPTION | DATE | DWN | APVD |
|---|-----|---------------|-----------|-----|------|
| | A | INITIAL | 22NOV2014 | DW | CW |
| | A1 | ECR-15-010519 | 20JUN2015 | DW | CW |
| | A2 | ECR-17-014183 | 27SEP2017 | DW | CW |



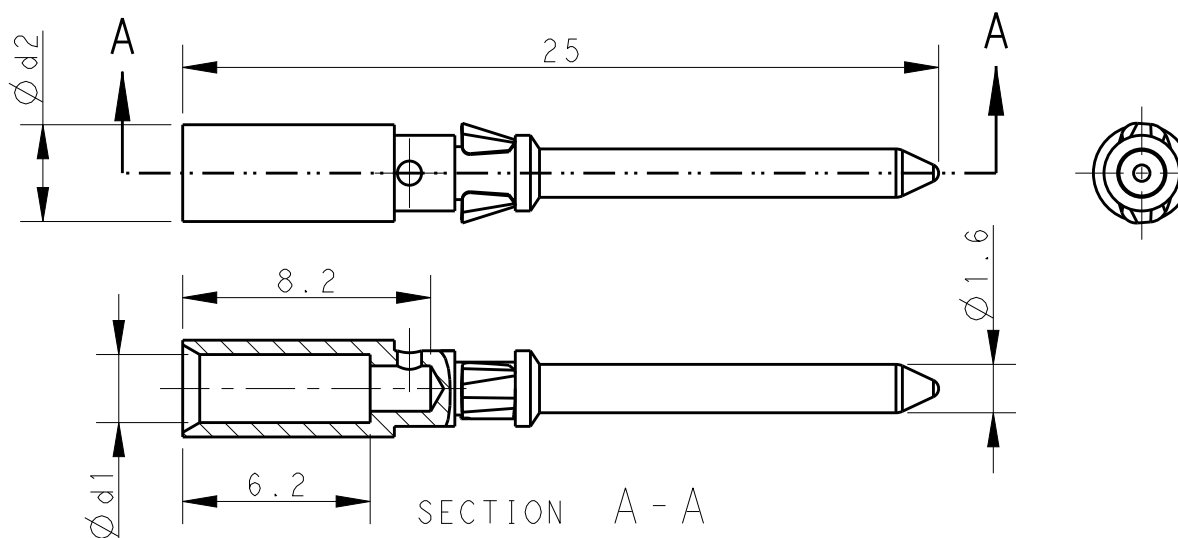
1) $\phi d1 = 0.90, 1.10, 1.30, 1.45, 1.75$



NOTES:

- TECHNICAL CHARACTERISTICS:
 PIN CONTACT MATERIAL: BRASS
 SURFACE PLATING:
 SILVER PLATING: $\geq 2\mu m$
 GOLD PLATING: $\geq 0.75\mu m$
 CONTACT RESISTANCE: $\leq 5 m\Omega$
 WIRE RANGE: 0.14-2.5 mm² (26-14 AWG)
 OPERATION TEMPERATURE: -40-+125°C

2) $\phi d1 = 2.25$



注释:

- 技术参数:
 公针材料: 黄铜
 表面电镀:
 镀银: $\geq 2\mu m$
 镀金: $\geq 0.75\mu m$
 接触电阻: $\leq 5 m\Omega$
 接线范围: 0.14-2.5 mm² (26-14 AWG)
 工作温度: -40-+125°C

| SILVER PLATING 镀银 | | | GOLD PLATING 镀金 | | | $\phi d1$ | $\phi d2$ | WIRE GAUGE 线规 | | STRIPPING LENGTH 剥线长度 (mm) |
|-------------------|---------------------|--|-----------------|---------------------|--|-----------|-----------|-----------------|-------|----------------------------|
| PART NUMBER 料号 | PART DESCRIPTION 描述 | | PART NUMBER 料号 | PART DESCRIPTION 描述 | | | | MM ² | AWG | |
| T2020001002-000 | CDM-0.3 | CDM-0.3, SILVER PLATING DD公针 0.14-0.37mm ² , 镀银 | T2020011002-000 | DDM-0.3 | DDM-0.3, GOLD PLATING DD公针 0.14-0.37mm ² , 镀金 | 0.90 | 2.55 | 0.14-0.37 | 26-22 | 8 |
| T2020001005-000 | CDM-0.5 | CDM-0.5, SILVER PLATING DD公针 0.5mm ² , 镀银 | T2020011005-000 | DDM-0.5 | DDM-0.5, GOLD PLATING DD公针 0.5mm ² , 镀金 | 1.10 | 2.60 | 0.5 | 20 | |
| T2020001008-000 | CDM-0.75 | CDM-0.75, SILVER PLATING DD公针 0.75mm ² , 镀银 | T2020011008-000 | DDM-0.75 | DDM-0.75, GOLD PLATING DD公针 0.75mm ² , 镀金 | 1.30 | 2.60 | 0.75 | 18 | |
| T2020001010-000 | CDM-1.0 | CDM-1.0, SILVER PLATING DD公针 1.0mm ² , 镀银 | T2020011010-000 | DDM-1.0 | DDM-1.0, GOLD PLATING DD公针 1.0mm ² , 镀金 | 1.45 | 2.60 | 1.0 | 18 | |
| T2020001015-000 | CDM-1.5 | CDM-1.5, SILVER PLATING DD公针 1.5mm ² , 镀银 | T2020011015-000 | DDM-1.5 | DDM-1.5, GOLD PLATING DD公针 1.5mm ² , 镀金 | 1.75 | 3.00 | 1.5 | 16 | |
| T2020001025-000 | CDM-2.5 | CDM-2.5, SILVER PLATING DD公针 2.5mm ² , 镀银 | T2020011025-000 | DDM-2.5 | DDM-2.5, GOLD PLATING DD公针 2.5mm ² , 镀金 | 2.25 | 3.20 | 2.5 | 14 | 6.2 |

THIS DRAWING IS A CONTROLLED DOCUMENT.

| | | | |
|----------------|--------|--|---|
| DIMENSIONS: mm | | TOLERANCES UNLESS OTHERWISE SPECIFIED: | |
| | 0 PLC | ±- | |
| | 1 PLC | ±- | |
| | 2 PLC | ±- | |
| | 3 PLC | ±- | |
| | 4 PLC | ±- | |
| | ANGLES | ±- | |
| MATERIAL | FINISH | - | - |

| | |
|------------------|------------|
| DWN | 22NOV2014 |
| David Wang | |
| CHK | 22NOV2014 |
| Chris Wang | |
| APVD | 22NOV2014 |
| Xiang Xu | |
| PRODUCT SPEC | 108-137042 |
| APPLICATION SPEC | 114-137042 |
| WEIGHT | - |
| Customer Drawing | |



| | | | | | |
|-------|-----------|------------------|---------------|----------------------------|--|
| NAME | | | | CDM/DDM HD/HDD PIN CONTACT | |
| SIZE | CAGE CODE | DRAWING NO | RESTRICTED TO | | |
| A3 | 00779 | ©-T20200X10XX000 | - | | |
| SCALE | | SHEET | OF | REV | |
| 4:1 | | 1 | 1 | A2 | |

X-ON Electronics

Largest Supplier of Electrical and Electronic Components

Click to view similar products for [Heavy Duty Power Connectors](#) category:

Click to view products by [TE Connectivity](#) manufacturer:

Other Similar products are found below :

[647757-1](#) [6643411-1](#) [6646058-2](#) [6646137-1](#) [6646138-1](#) [6646479-1](#) [6646608-1](#) [6646786-1](#) [6646940-1](#) [6651091-1](#) [6651525-1](#) [6651529-1](#)
[6651788-1](#) [696475-1](#) [702-32-01109](#) [703-25-02205](#) [73000005059](#) [73000005642](#) [73080255059](#) [73080965046](#) [765-15-0080A](#) [765-16-0080B](#)
[765-18-0080D](#) [829992-1](#) [902-77-02113](#) [PS00/A0620/6300](#) [PS25/A0420/63](#) [129-1J](#) [1409400](#) [AN0024023](#) [E6374G1](#) [e6389g2](#) [157-43GW8](#)
[MS3117-14AC](#) [1643543-1](#) [1650540-1](#) [1651811-2](#) [1766260-1](#) [1766282-1](#) [1766966-1](#) [1791340000](#) [NLDFT-3-BL-L-S120-M40A](#) [NLDFT-N-](#)
[W-L-C240-M40B](#) [NLS-2-R-C240-M40B](#) [NLS-N-W-C240-M40B](#) [NPS-3-BL-T6](#) [1986615-1](#) [2-1589900-8](#) [2199314-1](#) [KA8102](#)