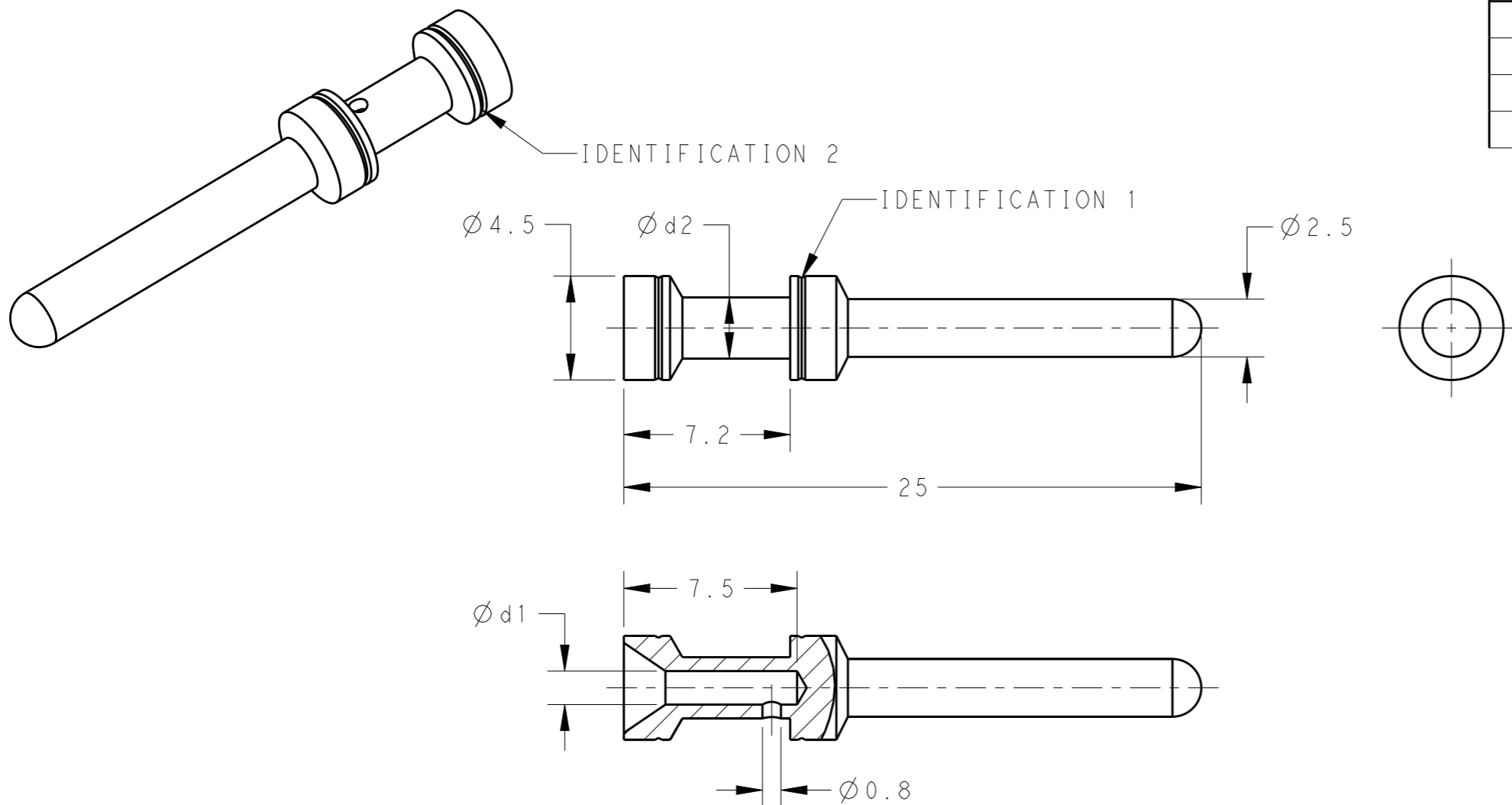


THIS DRAWING IS UNPUBLISHED. RELEASED FOR PUBLICATION 20
 © COPYRIGHT 20 BY - ALL RIGHTS RESERVED.

REVISIONS					
P	LTR	DESCRIPTION	DATE	DWN	APVD
	A	INITIAL	18JUN2014	DW	CW
	A1	ECR-15-009407	01JUN2015	DW	CW



NOTES:
 1. TECHNICAL CHARACTERISTICS:
 CONTACT MATERIAL: BRASS
 SURFACE PLATING:
 SILVER PLATING: $\geq 2\mu\text{m}$
 GOLD PLATING: $\geq 0.75\mu\text{m}$
 CONTACT RESISTANCE: $\leq 5\text{ m}\Omega$
 WIRE RANGE: 0.14-4 mm² (26-12 AWG)
 OPERATION TEMPERATURE: -40-+125°C

注释:
 1. 技术参数:
 公针材料: 黄铜
 表面电镀:
 镀银: $\geq 2\mu\text{m}$
 镀金: $\geq 0.75\mu\text{m}$
 接触电阻: $\leq 5\text{ m}\Omega$
 接线范围: 0.14-4 mm² (26-12 AWG)
 工作温度: -40-+125°C

	PART NUMBER		d1	d2	WIRE GAUGE		STRIPPING LENGTH (mm)	IDENTIFICATION 1 (NUMBER OF GROOVES)	IDENTIFICATION 2 (NUMBER OF GROOVES)
	SILVER PLATING	GOLD PLATING			MM ²	AWG			
PIN CONTACT	T2030001002-000	T2030011002-000	0.90	2.50	0.14-0.37	26-22	7.5	1 GROOVE	1 GROOVE
	T2030001005-000	T2030011005-000	1.15	2.50	0.5	20		NO GROOVE	NO GROOVE
	T2030001008-000	T2030011008-000	1.30	2.50	0.75	18		NO GROOVE	1 GROOVE
	T2030001010-000	T2030011010-000	1.45	2.65	1.0	18		1 GROOVE	NO GROOVE
	T2030001015-000	T2030011015-000	1.75	3.00	1.5	16		2 GROOVES	NO GROOVE
	T2030001025-000	T2030011025-000	2.25	3.45	2.5	14		3 GROOVES	NO GROOVE
	T2030001030-000	T2030011030-000	2.55	3.75	3.0	12		1 WIDE GROOVE	1 GROOVE
	T2030001040-000	T2030011040-000	2.85	3.85	4.0	12		NO GROOVE	NO GROOVE

THIS DRAWING IS A CONTROLLED DOCUMENT.

DIMENSIONS: mm	TOLERANCES UNLESS OTHERWISE SPECIFIED: 0 PLC ±- 1 PLC ±- 2 PLC ±- 3 PLC ±- 4 PLC ±- ANGLES ±-
MATERIAL -	FINISH -

DWN David Wang 18JUN2014	CHK Chris Wang 18JUN2014	APVD Xiang Xu 18JUN2014
PRODUCT SPEC 108-106137		
APPLICATION SPEC 114-106137		
WEIGHT -		
Customer Drawing		

STE TE Connectivity			
NAME CEM/DEM HEE PIN CONTACT			
SIZE A3	CAGE CODE 00779	DRAWING NO T20300X10XX000	RESTRICTED TO -
SCALE 4:1		SHEET 1 OF 1	REV A1

X-ON Electronics

Largest Supplier of Electrical and Electronic Components

Click to view similar products for [Headers & Wire Housings](#) category:

Click to view products by [TE Connectivity](#) manufacturer:

Other Similar products are found below :

[95000-104TRLF](#) [10135584-644402LF](#) [DF62W-EP2022PCA](#) [95000-106TRLF](#) [DF62W-2022SCA](#) [48050-002LF](#) [DF62W-EP2022PC](#) [2203348](#)
[DF62W-2022SC](#) [1084018](#) [1029039](#) [1084017](#) [802-10-012-10-002000](#) [1112640](#) [1112639](#) [891-007-9SS-BST1T](#) [000-34000](#) [0008550134](#)
[0009482033](#) [0009507031](#) [0009524054](#) [57102-F02-18ULF](#) [57102-S06-03LF](#) [57202-S52-04LF](#) [PCN6-15S-2.5E](#) [0039019024](#) [58102-G61-](#)
[06LF](#) [582553-1](#) [0009485154](#) [0009508121](#) [0022285053](#) [0050291907](#) [018731A](#) [LY20-4P-DT1-P1E-BR](#) [02.125.8002.8](#) [60101931](#) [60598-1](#)
[\(Cut Strip\)](#) [M1625-3R/100](#) [61062-3](#) [61082-181009](#) [632209-000](#) [636-1427](#) [638009-1](#) [641938-9](#) [641991-4](#) [644168-1](#) [644827-2](#) [647662-1](#)
[65039-019ELF](#) [65692-001LF](#)