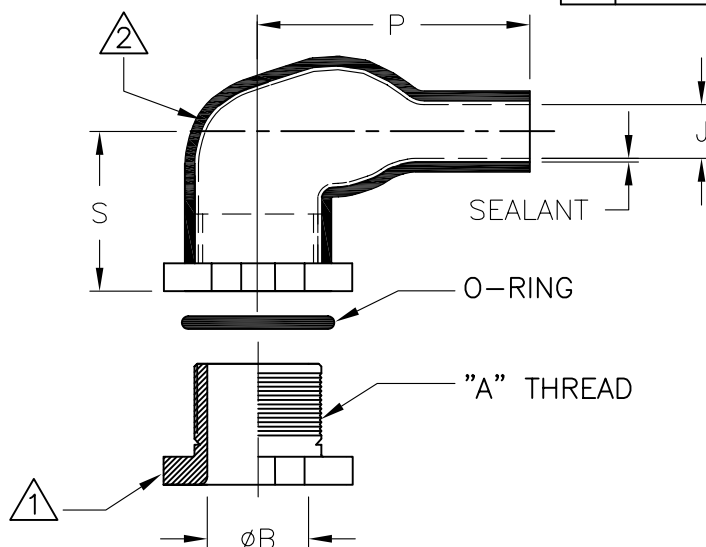


2

1

REVISIONS		
LTR	DESCRIPTION	DATE
D	ECO-07-013142	06/04/2007



PART NUMBER	ØB MIN	ØJ		P REF REC'D	S REF REC'D	DRILL SIZE
		MIN EXP	MAX REC'D			
CES-1R-X	.75 [18,8]	.50 [12,7]	.28 [7,11]	1.40 [35,56]	1.00 [25,40]	1.0 [25,4]
CES-2R-X	.75 [19,05]	.71 [18,03]	.33 [8,38]	1.70 [43,18]	1.10 [27,94]	1.0 [25,4]
CES-3R-X	1.10 [27,94]	1.10 [27,94]	.38 [9,65]	2.10 [53,34]	1.33 [33,78]	1.37 [34,8]
CES-4R-X	1.60 [40,64]	1.60 [40,64]	.62 [15,75]	3.1 [78,74]	1.56 [39,62]	2.0 [50,8]

#### NOTES:

1. THE LAST "X" IN THE PART NUMBER DESIGNATES MATERIAL AS SHOWN BELOW:  
 "A": ALUMINUM 6061 T-6 WITH FINISH OF HARD ANODIZE PER MIL-A-8625, TYPE III, CLASS 2, DYED BLACK.  
 "B": STAINLESS STEEL TYPE 316, WITH FINISH OF PASSIVATE PER QQ-P-35, OR MIL-S-5002. FOR STANDARD BLACK NYLON MATERIAL, OMIT THE LAST "X" IN THE PART NUMBER. (e.g. CES-3R).
2. HEAT SHRINKABLE BOOT MATERIAL IN ACCORDANCE WITH -3 POLYOLEFIN.

3. FACTORY APPLIED ADHESIVE IS STANDARD.

#### SPECIFICATION REFERENCE

BOOT MATERIAL: RT-301  
 ADHESIVE: RW-2019

#### CUSTOMER DRAWING

© 2006-2007 Tyco Electronics Corporation. All rights reserved.

**Tyco Electronics**

305 Constitution Dr  
 Menlo Park, CA 94025

**Raychem**

UNLESS OTHERWISE SPECIFIED  
 DIMENSIONS ARE INCHES. METRIC  
 DIMENSIONS ARE IN BRACKETS.

#### DECIMAL TOLERANCES

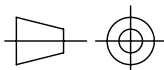
.XXX ± 0.005 [ 0.13 mm]  
 .XX ± 0.01 [ 0.25 mm]  
 .X ± 0.1 [ 0.50 mm]

ANGLE TOLERANCE  
 .X ± 1 DEG.

DRAWN U. NGUYEN DATE 06/04/07

RPN XXXXXX-000

THIRD ANGLE  
 PROJECTION



TITLE

CABLE ENTRY SEALS,  
 RIGHT ANGLE, STANDARD

SIZE A CODE IDENT NO. 06090 DWG. NO.

CES-XR-X

DO NOT SCALE THIS DRAWING

SHEET 1 OF 1

2

1

## X-ON Electronics

Largest Supplier of Electrical and Electronic Components

*Click to view similar products for [Heat Shrink Cable Boots & End Caps](#) category:*

*Click to view products by [TE Connectivity](#) manufacturer:*

Other Similar products are found below :

[577159N001](#) [645494-000](#) [CX4132-000](#) [687025-000](#) [705331-000](#) [718446-000](#) [725666N001](#) [729257-000](#) [F27131-000](#) [F85868-000](#) [770-003S106W2](#) [770-013210W1](#) [770-013311](#) [770-013312](#) [806542N001](#) [807507-000](#) [808362-000](#) [808618-000](#) [809125-000](#) [809130-000](#) [809218-000](#) [812014-000](#) [812047-000](#) [813166-000](#) [813767N002](#) [814741-000](#) [819117N001](#) [823026-000](#) [823070-000](#) [841189N001](#) [861471-000](#) [866647-000](#) [879515-000](#) [937577-000](#) [957073-000](#) [982033-2](#) [A77813-000](#) [R280576000](#) [D96192-000](#) [163549-000](#) [EN3BOOTLKIT](#) [MTPSRBCL-C](#) [1954015-1](#) [200W531-3-0](#) [202A163-4-0-CS5067](#) [202A343-3-00-0](#) [202B221-13-0](#) [202B231-13-0](#) [202B563-25-07-0](#) [202C241-13-0](#)