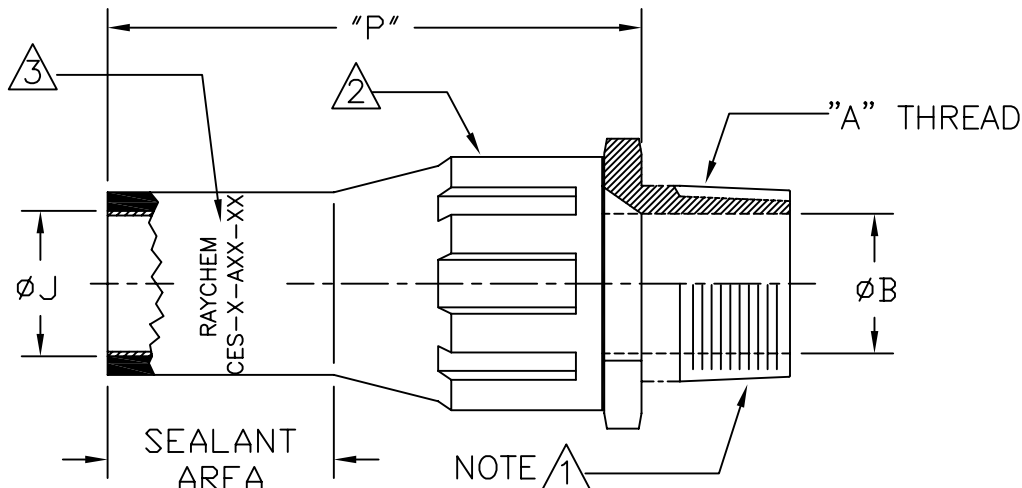


THIS DRAWING AND THE INFORMATION SET FORTH HEREON ARE THE PROPERTY OF TYCO ELECTRONICS CORPORATION AND ARE TO BE HELD IN TRUST AND CONFIDENCE. PUBLICATION, DUPLICATION, DISCLOSURE OR USE FOR ANY PURPOSE NOT EXPRESSLY AUTHORIZED IN WRITING BY TYCO ELECTRONICS CORPORATION IS PROHIBITED.

REVISION

REV	DESCRIPTION	DATE
F	REVISED PER DCR NUMBER MP060008	4/17/06



PART NUMBER	A NATIONAL PIPE THREAD	ØJ		ØB ±.02	P REC REF
		EXP MIN	REC MAX		
CES-1-A50-XX	1/2-14	.50 [12,70]	.17 [4,31]	.50 [12,7]	2.45 [62,23]
CES-2-A50-XX	1/2-14	.75 [19,05]	.25 [6,35]	.50 [12,7]	2.45 [62,23]
CES-2-A75-XX	3/4-14	.75 [19,05]	.25 [6,35]	.75 [19,05]	2.45 [62,23]
CES-2-A100-XX	1-11 1/2	.75 [19,05]	.25 [6,35]	.75 [19,05]	2.45 [62,23]
CES-3-A100-XX	1-11 1/2	1.20 [30,48]	.50 [12,70]	1.01 [25,66]	3.55 [90,17]
CES-3-A150-XX	1 1/2-11 1/2	1.20 [30,48]	.50 [12,70]	1.10 [27,94]	3.55 [90,17]
CES-4-A150-XX	1 1/2-11 1/2	1.60 [40,64]	.75 [14,28]	1.48 [37,59]	3.85 [97,79]

NOTES:

1. THE LAST "XX" IN THE PART NUMBER DESIGNATES MATERIAL AS SHOWN BELOW:  
 "AL": ALUMINUM 6061 T-6 WITH FINISH OF HARD ANODIZE PER MIL-A-8625, TYPE III, CLASS 2, DYED BLACK.  
 "SS": STAINLESS STEEL TYPE 316, WITH FINISH OF PASSIVATE PER QQ-P-35, OR MIL-S-5002 FOR STANDARD BLACK NYLON MATERIAL, OMIT THE LAST "X" IN THE PART NUMBER.
2. HEAT SHRINKABLE BOOT MATERIAL IN ACCORDANCE WITH -3 POLYOLEFIN
3. PART IS TO BE MARKED AS SHOWN, REPLACE X'S WITH APPROPRIATE CHARACTERS. THE FIRST "X" IN THE PART NUMBER IS SUBSTITUTED BY THE SIZE 1-5, THE SECOND SET OF "X's" REFERS TO NPT SIZE.
4. FACTORY APPLIED HOT MELT ADHESIVE IS STANDARD.

SPECIFICATION CONTROL DRAWING		
<b>tyco</b> <b>Electronics</b>	Tyco Electronics Corporation 300 Constitution Drive Menlo Park, CA, USA 94025	Product Brand: <span style="font-size: 1.2em; font-weight: bold;">Raychem</span>
TITLE CABLE ENTRY SEAL, SIZE 1-4 SINGLE ENTRY, NPT THREADED		
© 2006 Tyco Electronics Corporation. All rights reserved		
SIZE	CODE IDENT. NO.	DWG. NO.
A	06090	CES-X-AXXX-XX
DO NOT SCALE THIS DRAWING		SHEET 1 OF 1

## X-ON Electronics

Largest Supplier of Electrical and Electronic Components

*Click to view similar products for [Heat Shrink Cable Boots & End Caps](#) category:*

*Click to view products by [TE Connectivity](#) manufacturer:*

Other Similar products are found below :

[577159N001](#) [645494-000](#) [CX4132-000](#) [687025-000](#) [705331-000](#) [718446-000](#) [725666N001](#) [729257-000](#) [F27131-000](#) [F85868-000](#) [770-003S106W2](#) [770-013210W1](#) [770-013311](#) [770-013312](#) [806542N001](#) [807507-000](#) [808362-000](#) [808618-000](#) [809125-000](#) [809130-000](#) [809218-000](#) [812014-000](#) [812047-000](#) [813166-000](#) [813767N002](#) [814741-000](#) [819117N001](#) [823026-000](#) [823070-000](#) [825002-000](#) [841189N001](#) [861471-000](#) [866647-000](#) [879515-000](#) [937577-000](#) [957073-000](#) [982033-2](#) [A77813-000](#) [R280576000](#) [D96192-000](#) [163549-000](#) [EN3BOOTLKIT](#) [MTPSRBCL-C](#) [1954015-1](#) [200W531-3-0](#) [202A163-4-0-CS5067](#) [202A343-3-00-0](#) [202B221-13-0](#) [202B231-13-0](#) [202B563-25-07-0](#)