

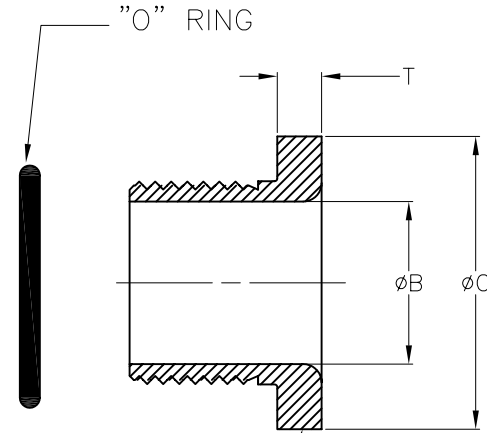
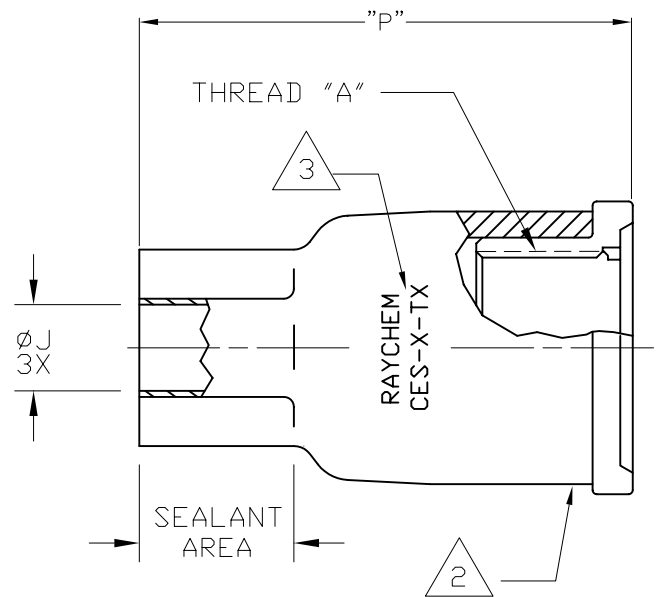
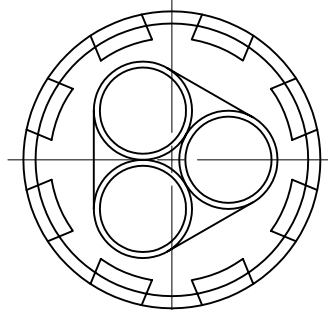
4

3

2

1

REVISIONS		
LTR	DESCRIPTION	DATE
C	ECD-08-009707	04/17/2008



NOTE 1

PART DESCRIPTION	"A" THREAD	ØB MIN	ØC MAX	ØJ		P REF REC	T REF	PANEL THK 4
				MIN EXP	MAX REC			
CES-2-T1	1-12 UNF	.76 [19,31]	1.41 [35,82]	.33 [8,38]	.12 [3,05]	3.50 [88,90]	.21 [5,33]	1/4 [6,35]
CES-3-T1	1 3/8-12 UNF	1.11 [28,20]	1.91 [48,52]	.60 [15,3]	.17 [4,57]	3.76 [95,5]	.31 [7,88]	1/4 [6,35]
CES-4-T1	2-8 UN	1.60 [40,64]	2.72 [69,09]	.82 [20,83]	.30 [7,62]	5.20 [132,08]	.31 [7,88]	3/8 [9,65]
CES-5-T4	3 3/8-8 UN	2.91 [73,92]	4.10 [104,14]	1.25 [31,75]	.50 [12,7]	5.20 [132,08]	.31 [7,88]	1/2 [12,7]

NOTES:

- 1. MATERIAL: STANDARD BLACK NYLON
- 2. HEAT SHRINKABLE BOOT MATERIAL IN ACCORDANCE WITH -3 POLYOLEFIN
- 3. PART TO BE MARKED AS SHOWN, REPLACE X'S WITH APPROPRIATE CHARACTERS (e.g. CES-2-T1).
- 4. THIS PART IS DESIGNED TO FIT THROUGH A PANEL OR BULKHEAD WITH A MAXIMUM WALL THICKNESS AS INDICATED IN TABLE.

CUSTOMER DRAWING

UNLESS OTHERWISE SPECIFIED DIMENSIONS ARE INCHES. METRIC DIMENSIONS ARE IN BRACKETS.	DRAWN LUNGUEN	DATE 04/17/2008	 Raychem Molded Parts 305 Constitution Dr Menlo Park, CA 94025
	DECIMAL TOLERANCES .XXX ± 0.005 [0.13 mm] .XX ± 0.01 [0.25 mm] .X ± 0.1 [0.50 mm]		
ANGLE TOLERANCE .X ± 1 DEG.	THIRD ANGLE PROJECTION		TITLE CABLE ENTRY SEAL, 3 ENTRY
© 2007-2008 Tyco Electronics Corporation. All rights reserved.	SIZE B	CODE IDENT. NO. 06090	DWG. NO. CES-X-TX

DD NOT SCALE THIS DRAWING SHEET 1 OF 1

4

3

2

1

X-ON Electronics

Largest Supplier of Electrical and Electronic Components

Click to view similar products for [Heat Shrink Cable Boots & End Caps](#) category:

Click to view products by [TE Connectivity](#) manufacturer:

Other Similar products are found below :

[577159N001](#) [645494-000](#) [CX4132-000](#) [687025-000](#) [705331-000](#) [718446-000](#) [725666N001](#) [729257-000](#) [F27131-000](#) [F85868-000](#) [770-003S106W2](#) [770-013210W1](#) [770-013311](#) [770-013312](#) [806542N001](#) [807507-000](#) [808362-000](#) [808618-000](#) [809125-000](#) [809130-000](#) [809218-000](#) [812014-000](#) [812047-000](#) [813166-000](#) [813767N002](#) [814741-000](#) [819117N001](#) [823026-000](#) [823070-000](#) [825002-000](#) [841189N001](#) [861471-000](#) [866647-000](#) [879515-000](#) [937577-000](#) [957073-000](#) [982033-2](#) [A77813-000](#) [R280576000](#) [D96192-000](#) [163549-000](#) [EN3BOOTLKIT](#) [MTPSRBCL-C](#) [1954015-1](#) [200W531-3-0](#) [202A163-4-0-CS5067](#) [202A343-3-00-0](#) [202B221-13-0](#) [202B231-13-0](#) [202B563-25-07-0](#)