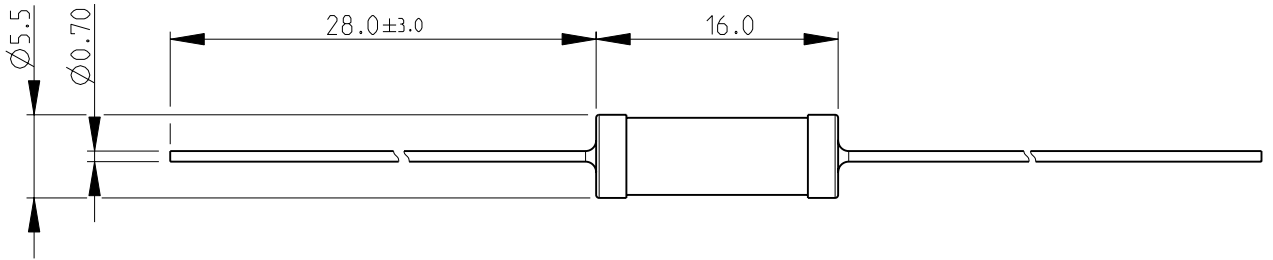
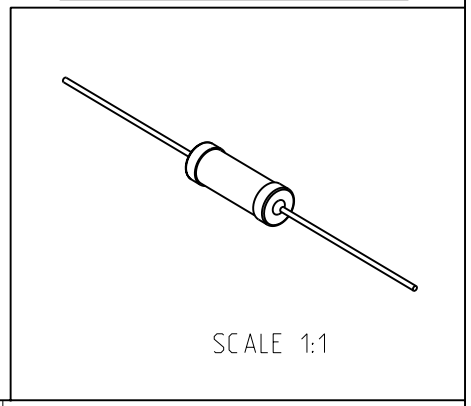


| LOC | DIST | REVISIONS | | | |
|-----|------|-------------|---------------------------|-----------|-----------|
| P | LTR | DESCRIPTION | DATE | DWN | APVD |
| E | B | BA1 | REVISED PER ECO-11-005150 | 29MAR2011 | RK HMR |
| | | | | | |
| | | | | | |

FOR FURTHER INFORMATION SEE DATA SHEET FOR
CFR SERIES-CARBON FILM FIXED RESISTORS



RoHS Compliant



2008
 RELEASED FOR PUBLICATION
 ALL RIGHTS RESERVED.
 BY -
 THIS DRAWING IS UNPUBLISHED.
 COPYRIGHT 2008

| | | | |
|--|--------------------------------|--|--------------------|
| DIMENSIONS: mm TOLERANCES UNLESS OTHERWISE SPECIFIED: 0 PLC ± 0.2 1 PLC ± 0.1 2 PLC \pm 3 PLC \pm 4 PLC \pm ANGLES $\pm 5^\circ$ | DWN SUBHASH.M 20-Sep-08 | MATERIAL | FINISH |
| | CHK PRAKASH.S 20-Sep-08 | | |
| | APVD STEPHEN.P 20-Sep-08 | TE Connectivity | |
| | PRODUCT SPEC | | |
| | APPLICATION SPEC | NAME CARBON FILM FIXED RESISTORS SERIES CFR200 | |
| | WEIGHT | SIZE A 4 | CAGE CODE 00779 |
| | | DRAWING NO C= 1623929 | RESTRICTED TO |
| | | CUSTOMER DRAWING | |
| | | SCALE 2:1 | SHEET 1 OF 1 |
| | | | REV BA1 |

X-ON Electronics

Largest Supplier of Electrical and Electronic Components

Click to view similar products for [Carbon Film Resistors - Through Hole](#) *category:*

Click to view products by [TE Connectivity](#) *manufacturer:*

Other Similar products are found below :

[RCFQ-100-5TA](#) [RCFQ-100K-5TA](#) [RCFQ-10-5TA](#) [RCFQ-11-5TA](#) [RCFQ-120-5TA](#) [RCFQ-12-5TA](#) [RCFQ-150K-5TA](#) [RCFQ-15K-5TA](#)
[RCFQ-160-5TA](#) [RCFQ-160K-5TA](#) [RCFQ-180-5TA](#) [RCFQ-18-5TA](#) [RCFQ-18K-5TA](#) [RCFQ-220-5TA](#) [RCFQ-240K-5TA](#) [RCFQ-24-5TA](#)
[RCFQ-270K-5TA](#) [RCFQ-27-5TA](#) [RCFQ-330K-5TA](#) [RCFQ-33K-5TA](#) [RCFQ-360-5TA](#) [RCFQ-360K-5TA](#) [RCFQ-36-5TA](#) [RCFQ-390K-5TA](#)
[RCFQ-430K-5TA](#) [RCFQ-43-5TA](#) [RCFQ-47-5TA](#) [RCFQ-620-5TA](#) [RCFQ-62-5TA](#) [RCFQ-680-5TA](#) [RCFQ-680K-5TA](#) [RCFQ-750-5TA](#)
[RCFQ-91-5TA](#) [RCFQ-91K-5TA](#) [150-04720](#) [OM1625](#) [OMT200L](#) [ON2725E](#) [LCA0207001004J2200](#) [299-1K/REEL](#) [23ESA473MLA50N](#)
[CF1/4-8.2M-5%](#) [CFB1/2C101J](#) [CFB1/2C102J](#) [CFR16J1K0](#) [CFR50J8K2](#) [293-22/REEL](#) [RCFQ-110-5TA](#) [RCFQ-110K-5TA](#) [RCFQ-11K-5TA](#)