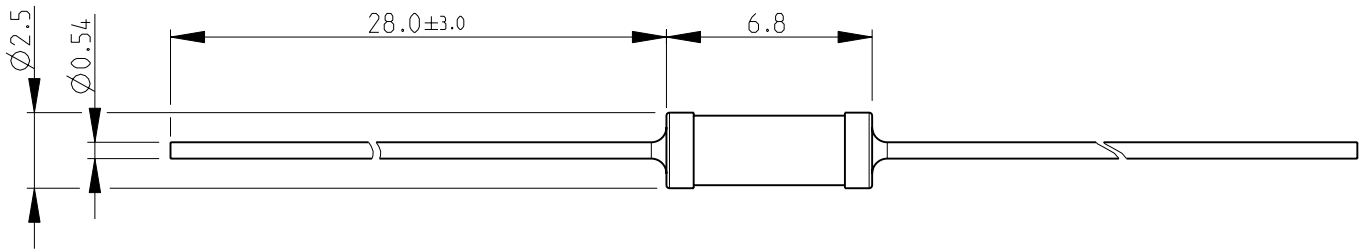
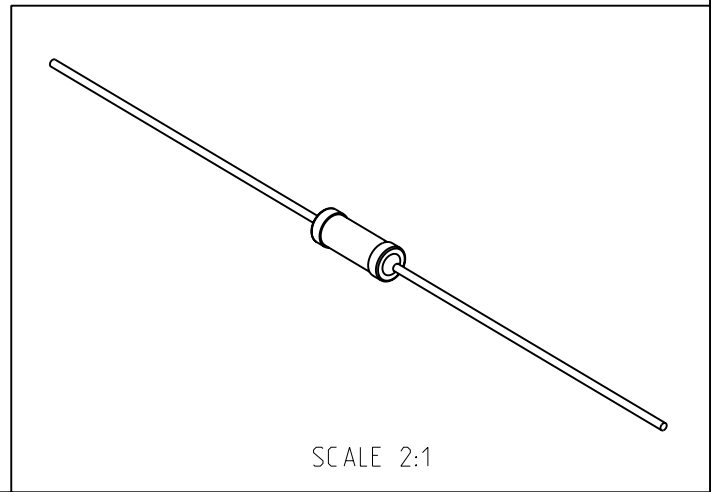


|     |      |           |     |             |           |     |      |
|-----|------|-----------|-----|-------------|-----------|-----|------|
| LOC | DIST | REVISIONS |     |             |           |     |      |
| E   | B    | P         | LTR | DESCRIPTION | DATE      | DWN | APVD |
|     |      |           | BA  | NEW RELEASE | 20-Sep-08 | SM  | St.P |

FOR FURTHER INFORMATION SEE DATA SHEET FOR  
CFR SERIES-CARBON FILM FIXED RESISTORS



RoHS Compliant



SCALE 2:1

2008

RELEASED FOR PUBLICATION

THIS DRAWING IS UNPUBLISHED.

© COPYRIGHT 2008 BY TYCO ELECTRONICS CORPORATION. ALL RIGHTS RESERVED.

|  |               |                  |              |  |   |           |               |
|--|---------------|------------------|--------------|--|---|-----------|---------------|
| DIMENSIONS:<br>mm                      | DWN           | SUBHASH.M        | 20-Sep-08    | MATERIAL   | -   | FINISH    | -             |
|  | CHK           | PRAKASH.S        | 20-Sep-08    | Tyco Electronics Corporation<br>Dorcan, Swindon, SN3 5HH |   |           |               |
| TOLERANCES UNLESS OTHERWISE SPECIFIED: | APVD          | STEPHEN.P        | 20-Sep-08    |  |   |           |               |
|  | 0 PLC         | $\pm 0.2$        | PRODUCT SPEC | -  | NAME<br>CARBON FILM FIXED RESISTORS<br>SERIES CFR25 |           |               |
| 1 PLC                                  | $\pm 0.1$     | APPLICATION SPEC | -            |  |   |           |               |
| 2 PLC                                  | $\pm -$       | WEIGHT           | -            | SIZE   | A 4   | CAGE CODE | 00779         |
| 3 PLC                                  | $\pm -$       |                  |              | DRAWING NO   | C= 1623931  |           | RESTRICTED TO |
| 4 PLC                                  | $\pm -$       |                  |              | SCALE  | 4:1   | SHEET     | 1 OF 1        |
| ANGLES                                 | $\pm 5^\circ$ | CUSTOMER DRAWING |              |  |   |           |               |

## X-ON Electronics

Largest Supplier of Electrical and Electronic Components

*Click to view similar products for* [Carbon Film Resistors - Through Hole](#) *category:*

*Click to view products by* [TE Connectivity](#) *manufacturer:*

Other Similar products are found below :

[RCFQ-100-5TA](#) [RCFQ-100K-5TA](#) [RCFQ-10-5TA](#) [RCFQ-11-5TA](#) [RCFQ-120-5TA](#) [RCFQ-12-5TA](#) [RCFQ-150K-5TA](#) [RCFQ-15K-5TA](#)  
[RCFQ-160-5TA](#) [RCFQ-160K-5TA](#) [RCFQ-180-5TA](#) [RCFQ-18-5TA](#) [RCFQ-18K-5TA](#) [RCFQ-220-5TA](#) [RCFQ-240K-5TA](#) [RCFQ-24-5TA](#)  
[RCFQ-270K-5TA](#) [RCFQ-27-5TA](#) [RCFQ-330K-5TA](#) [RCFQ-33K-5TA](#) [RCFQ-360-5TA](#) [RCFQ-360K-5TA](#) [RCFQ-36-5TA](#) [RCFQ-390K-5TA](#)  
[RCFQ-430K-5TA](#) [RCFQ-43-5TA](#) [RCFQ-47-5TA](#) [RCFQ-620-5TA](#) [RCFQ-62-5TA](#) [RCFQ-680-5TA](#) [RCFQ-680K-5TA](#) [RCFQ-750-5TA](#)  
[RCFQ-91-5TA](#) [RCFQ-91K-5TA](#) [150-04720](#) [OM1625](#) [OMT200L](#) [ON2725E](#) [LCA0207001004J2200](#) [299-1K/REEL](#) [23ESA473MLA50N](#)  
[CF1/4-8.2M-5%](#) [CFB1/2C101J](#) [CFB1/2C102J](#) [CFR16J1K0](#) [CFR50J8K2](#) [293-22/REEL](#) [RCFQ-110-5TA](#) [RCFQ-110K-5TA](#) [RCFQ-11K-5TA](#)