

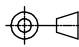


## CODE 40 - BRAID TAIL BACKSHELL

**208M916-19B08**

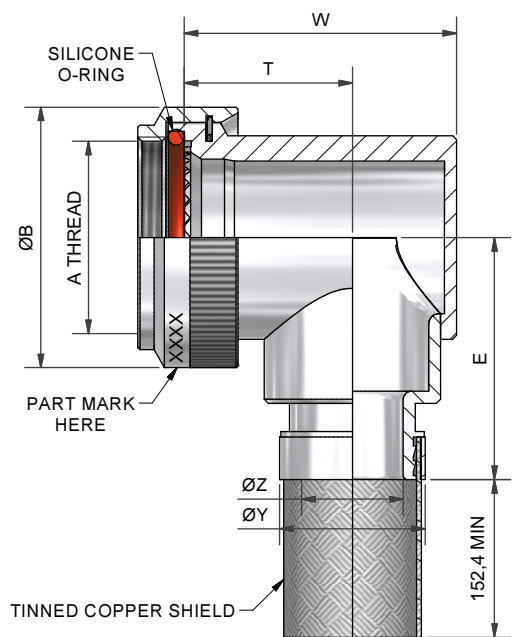
SERIES  
 DASH NUMBER (TABLE 1)  
 MATERIAL  
 REFER TO CH00-0250-004  
 FINISH  
 REFER TO CH00-0250-004 (2)  
 ENTRY SIZE (TABLE 2)

### NOTES:

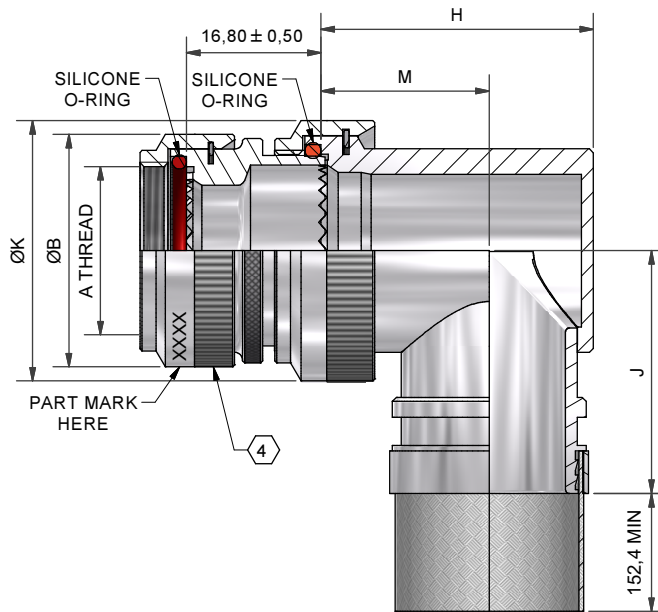
1. THIS PRODUCT IS DESIGNED TO TERMINATE A HEAT SHRINKABLE LIPPED BOOT TO A CONNECTOR.
- (2) FOR ADDITIONAL DIMENSIONS, ORDERING INFORMATION AND MODIFICATIONS, SEE CH00-0250-004
3. BACKSHELL TO BE PERMANENTLY MARKED/BAGGED AND LABELLED WITH CODE IDENTIFICATION NUMBER AND PART NUMBER. (e.g. 06090-208M912-19B08).
- (4) WHEN ENTRY SIZE EXCEEDS "MAX ENTRY", A 2 PIECE BACKSHELL (TYPE 2) IS SUPPLIED.
5. BRAID TERMINATION RING MAY BE SUPPLIED AS TINEL-LOCK SHAPE MEMORY RING AT MANUFACTURERS OPTION.
6. BACKSHELL MATES TO MIL-DTL-38999 SERIES III & IV, CLASS C, F, K AND W, D38999/20, /24, /26, /40, /46, /47 CONNECTORS AND WHEN SO MATED SHALL PROVIDE A WATER-TIGHT SEAL MEETING THE REQUIREMENTS OF MIL-C-85049, PAR. 3.5.7.

DRAWN	K.WINCZURA	DATE 12/06/2015	 3RD ANGLE PROJECTION NOT TO SCALE	<b>TITLE:</b>  <b>BRAID TAIL BACKSHELL</b>	 <b>Polanco</b>  <b>TE</b> <small>connectivity</small>		
CHECKED		12/06/2015					
APPROVED	K.SHEPPARD	10/07/2015				UNLESS OTHERWISE SPECIFIED ALL DIMENSIONS IN MILLIMETRES GENERAL TOL LINEAR +/-0.25MM ANGULAR +/- 1°	
APPROVED	H.SMITH	16/07/2015					
<b>REVISIONS</b>				<b>ASSY USED ON:</b>  <b>MIL-DTL-38999 SERIES III &amp; IV</b>			
LTR	DESCRIPTION	DATE	APPROVED				
M	REVISED PER ECO-14-008400	06/04/2014	I.M				
N	REVISED PER ECO-15-010349	16/07/2015	H.SMITH				
TE CAGE CODE: 06090 POLAMCO/TE CAGE CODE: U5792				TE CONNECTIVITY - POLAMCO LTD RESERVES THE RIGHT TO AMEND THIS DRAWING AND THE INFORMATION SET FORTH HEREON AT ANY TIME. USERS SHOULD INDEPENDENTLY EVALUATE THE SUITABILITY OF THE PRODUCT FOR THEIR APPLICATION.	DRAWING NO: <b>208M9XX</b>	DRAWING REV: <b>N</b>	SHT <b>1</b>

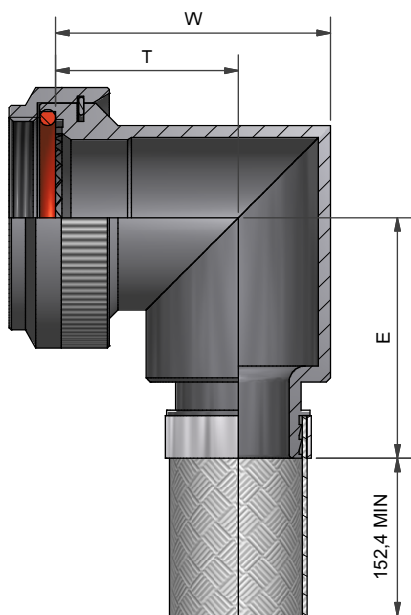
IF MAX ENTRY IS EXCEEDED BACKSHELL  
WILL BE SUPPLIED AS TYPE 2



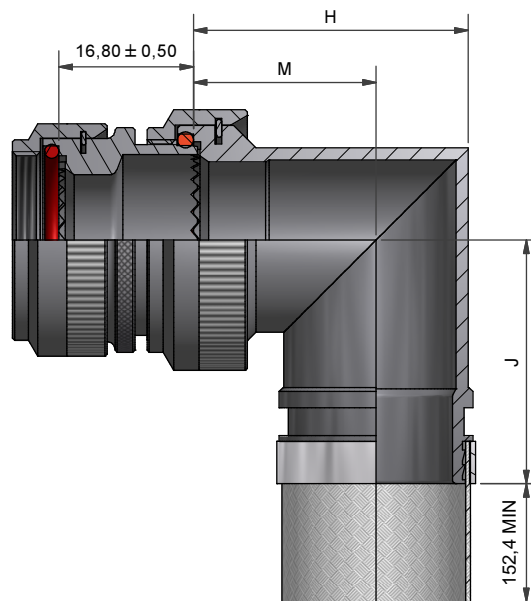
90° BACKSHELL - TYPE 1



90° BACKSHELL - TYPE 2



90° BACKSHELL - TYPE 1  
STAINLESS STEEL AND  
NICKEL ALUMINIUM BRONZE



90° BACKSHELL - TYPE 2  
STAINLESS STEEL AND  
NICKEL ALUMINIUM BRONZE

DRAWN	K.WINCZURA	DATE	12/06/2015
CHECKED		DATE	12/06/2015
APPROVED	K.SHEPPARD	DATE	10/07/2015
APPROVED	H.SMITH	DATE	16/07/2015
REVISIONS			
LTR	DESCRIPTION	DATE	APPROVED
M	REVISED PER ECO-14-008400	06/04/2014	I.M
N	REVISED PER ECO-15-010349	16/07/2015	H.SMITH



3RD ANGLE  
PROJECTION  
NOT TO  
SCALE

UNLESS OTHERWISE SPECIFIED  
ALL DIMENSIONS IN MILLIMETRES  
GENERAL TOL  
LINEAR +/-0.25MM  
ANGULAR +/- 1°

TITLE:

BRAID TAIL BACKSHELL

ASSY USED ON:

MIL-DTL-38999 SERIES III & IV



Polamco



TE CONNECTIVITY - POLAMCO LTD RESERVES THE RIGHT TO AMEND THIS DRAWING  
AND THE INFORMATION SET FORTH HEREON AT ANY TIME. USERS SHOULD  
INDEPENDENTLY EVALUATE THE SUITABILITY OF THE PRODUCT FOR THEIR APPLICATION.

DRAWING NO:  
**208M9XX**

DRAWING REV:  
**N**

SHT  
**2**

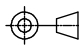


TE CAGE CODE: 06090  
POLAMCO/TE CAGE CODE: U5792

TABLE 1

ORDER NUMBER	SHELL SIZE COM'L / MIL	A THREAD	ØB MAX	MAX ENTRY	W ±0,5	T ±0,5	E ±0,5	THESE DIMENSIONS APPLY IF BACKSHELL IS STAINLESS STEEL OR NICKEL ALUMINIUM BRONZE		
								W ±0,5	T ±0,5	E ±0,5
208M908	9 / A	M12x1.0	18,0	04	21,0	14,0	24,0	21,2	16,3	24,0
208M910	11 / B	M15x1.0	21,0	07	24,0	15,5	25,7	24,3	17,2	25,7
208M912	13 / C	M18x1.0	24,5	09	27,0	17,0	27,2	28,3	19,4	27,2
208M914	15 / D	M22x1.0	29,0	10	31,0	19,5	28,7	31,1	21,0	28,7
208M916	17 / E	M25x1.0	32,5	12	34,0	21,0	30,4	34,2	22,8	30,4
208M918	19 / F	M28x1.0	35,5	14	35,0	20,0	32,0	38,5	25,3	32,0
208M920	21 / G	M31x1.0	37,0	16	38,0	21,5	33,6	40,7	26,1	33,6
208M922	23 / H	M34x1.0	40,0	18	42,0	24,0	35,1	43,7	27,6	35,1
208M924	25 / J	M37x1.0	43,5	20	45,0	25,5	36,6	46,4	29,1	36,6

TABLE 2

ENTRY SIZE	ØK MAX	ØZ REF	ØY REF	H ±0,5	M ±0,5	J ±0,5	THESE DIMENSIONS APPLY IF BACKSHELL IS STAINLESS STEEL OR NICKEL ALUMINIUM BRONZE		
							H ±0,5	M ±0,5	J ±0,5
03	NA	4,77	13,1	NA	NA	NA	NA	NA	NA
04	NA	6,35	13,1	NA	NA	NA	NA	NA	NA
05	21,0	7,92	13,1	24,0	15,5	25,7	24,3	17,2	25,7
06	21,0	9,52	17,9	24,0	15,5	25,7	24,3	17,2	25,7
07	21,0	11,12	17,9	24,0	15,5	25,7	24,3	17,2	25,7
08	24,5	12,70	17,9	27,0	17,0	27,2	28,3	19,4	27,2
09	24,5	14,27	17,9	27,0	17,0	27,2	28,3	19,4	27,2
10	29,0	15,87	24,2	31,0	19,5	28,7	31,1	21,0	28,7
11	32,5	17,47	24,2	34,0	21,0	30,4	34,2	22,8	30,4
12	32,5	19,05	24,2	34,0	21,0	30,4	34,2	22,8	30,4
13	35,5	20,62	24,2	35,0	20,0	32,1	38,5	25,3	32,1
14	35,5	22,23	30,6	35,0	20,0	32,1	38,5	25,3	32,1
15	37,0	23,82	30,6	38,0	21,5	33,7	40,7	26,1	33,7
16	37,0	25,40	30,6	38,0	21,5	33,7	40,7	26,1	33,7
17	40,0	26,98	33,2	42,0	24,0	35,2	43,7	27,6	35,2
18	40,0	28,60	33,2	42,0	24,0	35,2	43,7	27,6	35,2
20	43,5	31,80	42,0	45,0	25,5	36,7	46,4	29,1	36,7
21	48,5	33,34	42,0	54,5	31,0	39,8	50,0	31,0	39,8
22	48,5	35,00	42,0	54,5	31,0	39,8	50,0	31,0	39,8
24	52,1	38,10	42,0	58,0	33,0	43,8	53,5	33,0	43,8
28	58,5	44,45	49,0	65,5	36,5	48,9	60,3	36,5	48,9

DRAWN	K.WINCZURA	DATE	12/06/2015	 3RD ANGLE PROJECTION NOT TO SCALE	<b>TITLE:</b>  <b>BRAID TAIL BACKSHELL</b>	 Polamco	
CHECKED		DATE	12/06/2015				
APPROVED	K.SHEPPARD	DATE	10/07/2015				UNLESS OTHERWISE SPECIFIED ALL DIMENSIONS IN MILLIMETRES GENERAL TOL LINEAR +/-0,25MM ANGULAR +/- 1°
APPROVED	H.SMITH	DATE	16/07/2015				
<b>REVISIONS</b>					<b>ASSY USED ON:</b>  <b>MIL-DTL-38999 SERIES III &amp; IV</b>	 TE connectivity	
LTR	DESCRIPTION	DATE	APPROVED				
M	REVISED PER ECO-14-008400	06/04/2014	I.M				
N	REVISED PER ECO-15-010349	16/07/2015	H.SMITH				
TE CAGE CODE: 06090 POLAMCO/TE CAGE CODE: U5792					TE CONNECTIVITY - POLAMCO LTD RESERVES THE RIGHT TO AMEND THIS DRAWING AND THE INFORMATION SET FORTH HEREON AT ANY TIME. USERS SHOULD INDEPENDENTLY EVALUATE THE SUITABILITY OF THE PRODUCT FOR THEIR APPLICATION.	DRAWING NO: <b>208M9XX</b>	
					DRAWING REV: <b>N</b>	SHT <b>3</b>	

## X-ON Electronics

Largest Supplier of Electrical and Electronic Components

*Click to view similar products for [Circular MIL Spec Backshells](#) category:*

*Click to view products by [TE Connectivity](#) manufacturer:*

Other Similar products are found below :

[5M2920-3CW](#) [60-036152-022](#) [610HS012M15](#) [M28840/504WA](#) [M28840/805WB](#) [M28840/809WA](#) [M28840/815WA](#) [M28840/816WA](#)  
[627AS017M14](#) [627MA124M14S](#) [655HS002NF11](#) [CW3899-000](#) [M85049/10-134S](#) [M85049/10-17S](#) [M85049/10-33S](#) [M85049/10-94W](#)  
[M85049/11-28N](#) [M85049/11-37N](#) [M85049/11-53N](#) [M85049/11-63N](#) [M85049/120-14W](#) [M85049/124-23W](#) [M85049/1720N04B](#)  
[M85049/1821W05C](#) [M85049/1825W06C](#) [M85049/1919N05](#) [M85049/23-74W](#) [M85049/24-71N](#) [M85049/25-47N](#) [M85049/25-94W](#)  
[M85049/27S12N](#) [M85049/39-11S](#) [M85049/39-17S](#) [M85049/39-9S](#) [M85049/6-10B](#) [M85049/6-19N](#) [M85049/6-20B](#) [M85049/77-20W04](#)  
[M85049/78-11N03](#) [M85049/78-15W02](#) [M85049/78-17N04](#) [M85049/78-19N05](#) [M85049/79-19N07](#) [M85049/79-25N04](#) [M85049/82-18N02](#)  
[M85049/82-22P02](#) [M85049/83-10W03](#) [M85049/84-20N03](#) [M85049/8-48N](#) [M85049/85-24N01](#)