

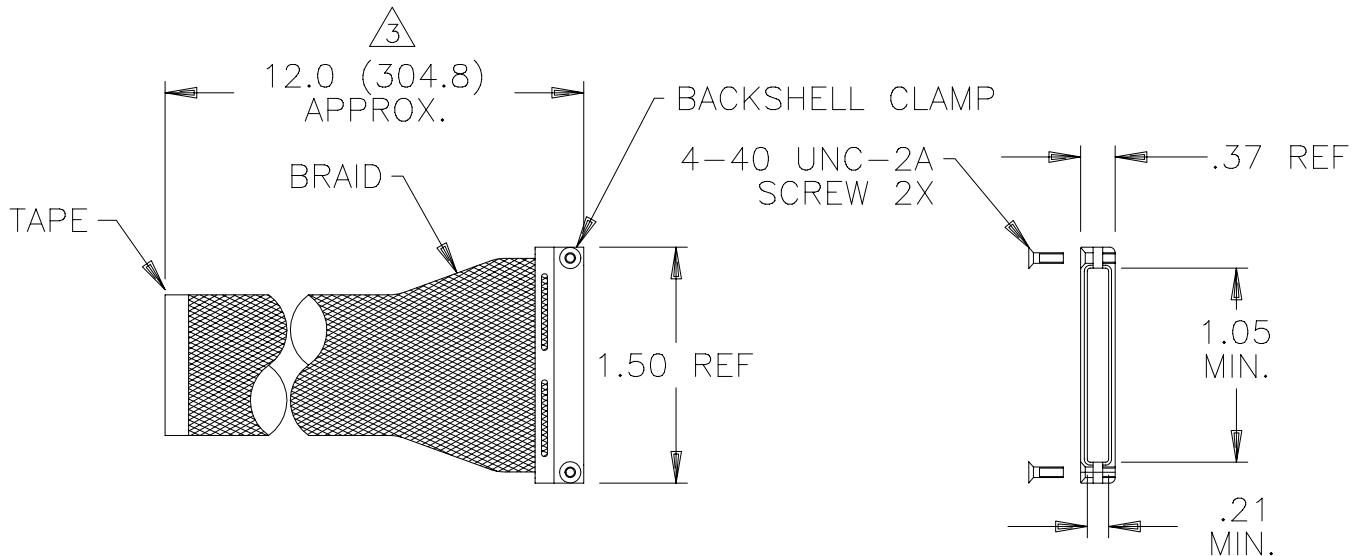
REVISIONS			
LTR	DESCRIPTION	DATE	APPROVED
C	REVISED PER DCR# T-31731	March/26/03	M.HIGGY

NOTES:



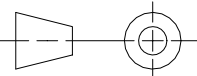
1. SCREWS ARE SHIPPED LOOSE.
2. MATERIAL: BACKSHELL – ALUMINUM ALLOY, CADMIUM PLATED
BRAID – COPPER ALLOY, TIN PLATED
SCREW – STAINLESS STEEL, PASSIVATED & CAD PLATED
W/THREAD LOCK.

③ THE 12.0" APPROX. APPLIES TO THE BRAID IN THE "FLAT" AS SUPPLIED CONDITION.

4. SHIELDING EFFECTIVENESS IS LEVEL 1 PER C-6111 AND C-6115.



SPECIFICATION CONTROL DRAWING

UNLESS OTHERWISE SPECIFIED DIMENSIONS ARE IN INCHES. METRIC DIMENSIONS ARE IN BRACKETS.	DRAWN ZS.ORBAN	DATE MARCH/24/03	  305 Constitution Drive Menlo Park, CA. USA 94025		
	CHECKED	DATE			
TOLERANCES: .XXX ± [mm] .XX ±.03 [mm] ANGLE	APPROVED M.HIGGY	DATE MARCH/24/03	TITLE BACKSHELL, 1 INCH EMX SUPPRESSING MTC SERIES		
	THIRD ANGLE PROJECTION				
	CAD NAME T31731.DWG	SIZE A	CODE IDENT. NO. 06090	DWG. NO. CHA-0276	REV C
	P.C.N. 492897	SCALE: NONE		DO NOT SCALE THIS DRAWING	SHEET 1 OF 1

X-ON Electronics

Largest Supplier of Electrical and Electronic Components

Click to view similar products for [Rack & Panel Connectors](#) category:

Click to view products by [TE Connectivity](#) manufacturer:

Other Similar products are found below :

[00170420102](#) [00171420202](#) [00171440002](#) [008026165000265](#) [00-8219-072-000-112P44](#) [008219072000112P5](#) [00-8223-096-580-102](#) [02-014-013-5200-000](#) [613467-000](#) [CTJ112E01E-513](#) [CTJ116E03A-513](#) [M81714/63-22S L/C](#) [M81714/65-12-1](#) [66020-2](#) [CW8958-000](#) [699886-000](#) [D250-50632](#) [70.400.3240.0](#) [70.955.2453.3](#) [733753-000](#) [F22831-000](#) [780-522-DPX34RG8-02](#) [MMA25-0341D1](#) [8660-501](#) [87.060.0053.0](#) [900709N001](#) [QRP4-12P-C\(01\)](#) [QR/P6-6S-C\(01\)](#) [AC-600003-004](#) [1218600-1](#) [D-659-0061](#) [DMC-MD 24 C-T](#) [1-445717-6](#) [1484398-2](#) [1484399-2](#) [1484469-2](#) [MR-34MG](#) [1484225-1](#) [1484398-1](#) [1604997-2](#) [1663130-1](#) [1663767-7](#) [1663767-8](#) [MTC100-BF1-P31CS015](#) [MTC100-KT2-0083](#) [MTC100-KT2-0123-003](#) [MTC100-YA1-005](#) [MTCB1X-105-XXX](#) [MTCQKT1P2PGDC](#) [MTCQKT1R2PGCA](#)