



CIRH SERIES
(MIL-C-5015 STYLE)
Modular Bayonet Lock Connector



CIRH SERIES

(MIL-C-5015 STYLE)

HALOGEN FREE BAYONET LOCK CONNECTOR SERIES

The Connectors for Industrial Range (CIR) (H - halogen free) is based on the products covered by the American MilC-5015 and the German VG95234 specifications. These connectors are used extensively throughout the mass transportation, entertainment and general industrial markets.

CIRH connectors are interchangeable with all corresponding types and feature contact arrangements from Mil-STD-1651. Positive coupling is indicated by an audible 'snap' and by the alignment of three coloured dots on the receptacle and on the coupling nut of the plug connector.

To enhance service life in applications where the connectors are likely to experience severe vibration or repeated mating, CIRH connectors feature stainless steel anti-wear pins at the critical point of the receptacle coupling ramps.

In response to safety and environmental requirements, CIRH connectors have as standard, low fire hazard/halogen free rubber insulators which have been independently tested and shown to conform with the requirements of European specification EN 45545-2 (HL3, R22/R23), French specification NF F 16-101 classification 12 F1 and to British specification BS 6853 app. A clause A.9 and app. B clause B.5.1. Connector shells can also be supplied with cadmium free plating finishes.

Protection against water and dust ingress is provided by the use of a dynamic seal ring under the coupling nut and by an individual wire seal grommet at the rear of the connector. A wavy washer assembly, also under the coupling nut and a comprehensive range of back shells and accessories, ensure excellent continuity and shielding characteristics between mated connectors where the effects of EMI and RFI must be eliminated.



CONTENTS

| | | | |
|------------------------------------------------------|-------|-------------------------------------------------------|-------|
| General Information | 2 | Locking Armoured Conduit Adaptor - Type H (ACA)..... | 66 |
| Electrical Data | 3 | Locking Cable Clamp With Bushing - Type HC..... | 67 |
| Part Number Explanation | 4 | Locking Sealed Cable Clamp - Type HD | 68 |
| F80 Contact Arrangements..... | 5-19 | Non-Locking Cable Clamp With Bushing - Type JE..... | 69 |
| F80 Contact Arrangement Selection Chart..... | 20-21 | Locking Screened Cable Adaptor - Type M (SCA)..... | 70 |
| Alternative Insert Orientations | 22-23 | Non-Locking Conduit Adaptor - Type R (CCA) | 71 |
| F80 Crimp Contacts - Pin | 24 | Non-Locking Sealed Cable Clamp - Type RC | 72 |
| F80 Crimp Contacts - Socket | 25 | Long Backshell With Cable Clamp & Bushing | |
| F80 Crimp Contacts - Low Insertion Force Socket..... | 26 | - Type XLA..... | 73 |
| F80 Crimp Contacts Coaxial - Pin & Socket..... | 27 | Long Backshell With Sealed Cable Clamp | |
| F80 Crimp Contacts Twinaxial - Pin & Socket..... | 28 | - Type XLC | 74 |
| Front Mounting Receptacle - CIRH00 | 29-32 | Long Backshell With Grommet - Type SHE..... | 75 |
| Cable Mounted Receptacle - CIRH01 | 33-35 | Step Up Adaptor | 76 |
| Rear Mounting Receptacle - CIRH03 | 36-40 | Step Down Adaptor | 77 |
| Size 49 Front Mounting Receptacle - CIRH04 | 41 | Screened Shell Extender | 78 |
| Size 49 Rear Mounting Receptacle - CIRH05 | 42 | PG Threaded Adaptors (DIN 40430)..... | 79 |
| Plug - CIRH06/SE06..... | 43-45 | Cable Clamp - Type MS3057A..... | 80 |
| Plug, Rubber Covered Coupling Nut - CIRHP06..... | 46-48 | Cable Clamp - Type MS3057C..... | 81 |
| Size 49 Plug - CIRHP06..... | 49 | Telescopic Bushing..... | 82 |
| Through Bulkhead Receptacle - CIRH07 | 50 | Panel Sealing Gaskets | 83 |
| Rear Mounting Single Hole Receptacle - CIRH09..... | 51-54 | Protective Caps..... | 84 |
| Panel Mounted Plug - CIRH12A..... | 55 | Wire Sealing Grommets, | |
| Conduit Adaptor With Braid Screen Trap | | Dummy Pins, Sockets & Grommet Filler Plugs..... | 85 |
| - Type RM (CRA) | 56 | Stowage Receptacles | 86 |
| Non-Locking Cable Clamp - Type D (OCN)..... | 57 | Square Flange Receptacle Nut Plates..... | 87 |
| Non-Locking Grommet Nut - Type EV | 58 | Square Flange Receptacles, Panel Mounting Details... | 88 |
| Locking 90° Outlet With Cable Clamp & Bushing | | Single Hole Mounting Receptacles, | |
| - Type F..... | 59 | Panel Mounting Details..... | 89 |
| Locking 90° Outlet With Sealed Cable Clamp | | Contact Insertion & Extraction Tools, | |
| - Type FC..... | 60 | Socket Guide Pins..... | 90 |
| Locking 90° Outlet - Type FT | 61 | F80 Contacts, Crimp & Tooling Data..... | 91-92 |
| Locking 90° Outlet, RFI - Type FM | 62 | F80 Coax & Twinax Contacts, Crimp & Tooling Data..... | 93 |
| Locking Heatshrink Adaptor - Type G (HSA)..... | 63 | RFI Braid Sock, Bandit Strap & Knitmesh Braid..... | 94 |
| Locking RFI Shielded Adaptor - Type GM (LHSA)..... | 64 | | |
| Non-Locking Heatshrink Adaptor - Type GS (HSAS)..... | 65 | | |

Standard Data

Materials:

| | |
|-------------------------------|-------------------------|
| Connector metalwork: | Aluminium alloy |
| Insulator, grommet & bushing: | Low Fire Hazard, rubber |
| Contacts: | Copper alloy |
| Accessory hardware: | Aluminium alloy |

Standard Plating Finishes:

| | |
|------------------|----------------------------------------------------------------------------------|
| Aluminium parts: | Olive drab chromate over zinc cobalt or Olive drab chromate over cadmium plate.* |
| Contacts: | Silver or Gold. |

* Consult TE for alternative finishes.

Environmental Ratings:

| | |
|--------------------|--------------------------------------------------|
| Temperature range: | -55°C to + 200°C |
| Shock severity: | 75g |
| Vibration: | 5-500 Hz long endurance. 30 hour test at 10g. |
| Acceleration: | 50g |

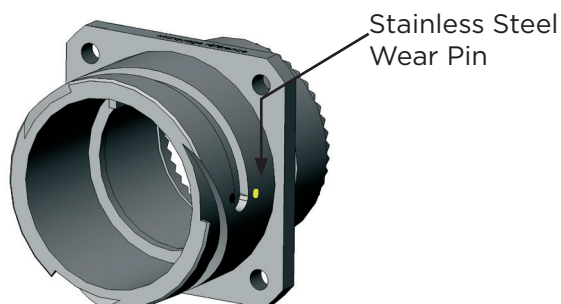
Mechanical Features:

| | |
|----------------------|-------------------------------------------------------------------------------------------------------------------------|
| Coupling: | 3 pin bayonet. |
| Number of contacts: | 2 to 85 |
| Contact termination: | Crimp or p.c. tail. |
| Sealing: | Dynamic sealing ring & individual wire seal grommet. When mated and used with appropriate sealed backshell, IP67 rated. |
| Matings: | 2000. |

CIRH Connectors:

CIRH connectors feature stainless steel pins at critical wear points of the cam tracks of all receptacle shells, to protect from wear inflicted by continuous mating/de-mating and vibration.

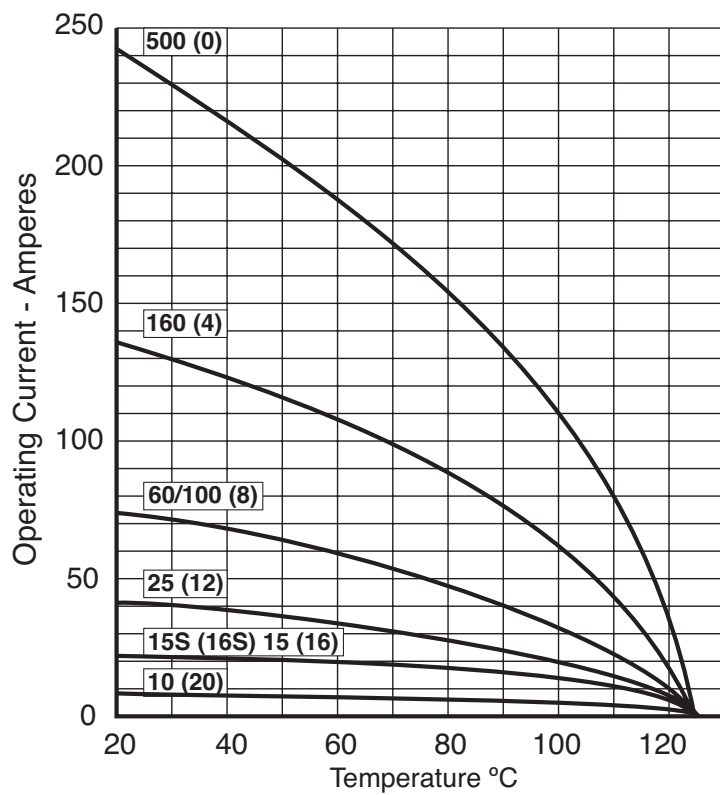
Note: The company reserves the right and may change or vary specification without prior written notice.



Contact Current Ratings

| AWG | Contact Size Metric | *Maximum Current @ 20°C (68°F) | * Rated Current @ 85°C (185°F) | ** De-rated Current @ 85°C (185°F) |
|--------|---------------------|--------------------------------|--------------------------------|------------------------------------|
| 16/16S | 15/15S | 22A | 13A | 10A |
| 12 | 25 | 41A | 23A | 20A |
| 8 | 100 | 73A | 46A | 42A |
| 4 | 160 | 135A | 80A | 75A |
| 0 | 500 | 245A | 150A | 135A |

Contact Current De-Rating Curve



Contact Arrangement Service Ratings

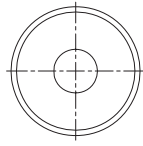
| Service Rating | Inst. | A | D | E |
|-------------------------------|---------|---------|---------|---------|
| Working Voltage DC or AC Peak | 350 V | 700 V | 1,250 V | 1,750 V |
| Voltage Proof AC RMS | 1,000 V | 2,000 V | 2,800 V | 3,500 V |
| Minimum Flashover AC RMS | 1,400 V | 2,800 V | 3,600V | 4,500 V |

PART NUMBER EXPLANATION

| | | | | | | | | | | |
|---------------|-------------|----------------|------------|---------------------|--------------|---------------------|--------------------|---------------|-------------------|----------------|
| CIRH | 06 | F | 28 | 21 | P | C | N | F80 | ** | ** |
| Series Prefix | | Accessory Type | | Contact Arrangement | | Contact Termination | | Contact Style | | Contact Supply |
| | Shell Style | | Shell Size | | Contact Type | | Insert Orientation | | Modification Code | |

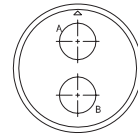
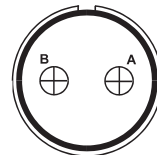
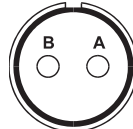
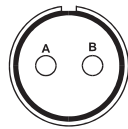
| | | |
|-----------------------------|-------------------------------------------------------------------------------------------------------------------------------------------------|-------------------------------------------------------|
| Series Prefix: | CIRH | Low Fire Hazard |
| Shell Style: | 00 | 4 Hole Square flange receptacle, front panel mounted. |
| | 01 | Cable mounted receptacle. |
| | 03 | 4 Hole Square flange receptacle, rear panel mounted. |
| | 06 | Plug. No RFI grounding. |
| | P06 | Plug, rubber covered coupling nut. No RFI grounding. |
| | SE06 | Plug with RFI grounding. |
| | 07 | Through bulkhead receptacle |
| | 08 | Plug with 90° angle outlet. No RFI grounding. |
| | SE08 | Plug with 90° angle outlet. RFI grounding. |
| | 09 | Single hole mounted receptacle. |
| Accessory Type: | | See relevant catalogue pages. |
| Shell Size: | 10SL- 49. | |
| Contact Arrangement: | See pages 5 - 22 | |
| Contact Type: | P = Pin, S = Socket, H pin/socket assembly for bulkhead connector 07. | |
| Contact Termination: | C crimp removeable, (except for style 07 no designation in part number). | |
| Insert orientation: | N normal, WXYZ alternative insert positions. See pages 25 & 26 | |
| Contact style: | F80 | |
| Modification Code: | M11 Zinc Colbalt Plating with Green passivate finish | |
| | M32 Zinc Colbalt Plating with Black passivate finish | |
| | M14 Zinc Colbalt Plating with Black passivate finish and tapped mounting holes | |
| | M35 Zinc Colbalt Plating with Green passivate finish and tapped mounting holes | |
| | Others Consult TE | |
| Contact Supply: | Leave blank for connectors supplied with silver contacts P3 for gold contacts. V0 for connectors supplied without contacts. | |

1 Contact

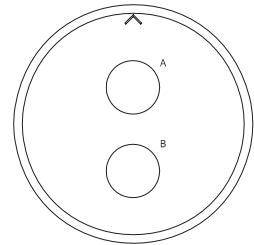
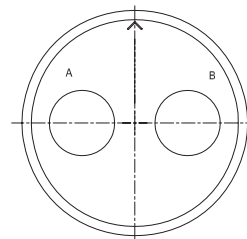
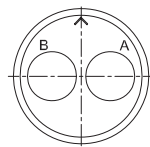
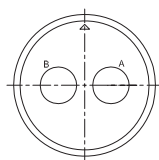


| | |
|----------------------------------|--------------|
| Contact Arrangement | 22-7 |
| No. Contacts x Size AWG (Metric) | 1 x #0 (100) |

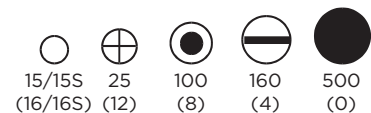
2 Contacts



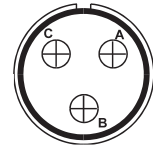
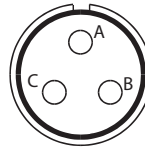
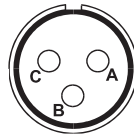
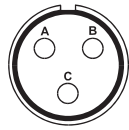
| | | | | |
|----------------------------------|----------------|----------------|--------------|--------------|
| Contact Arrangement | 10SL-4 | 14S-9 | 18-3 | 20-23 |
| No. Contacts x Size AWG (Metric) | 2 x #16S (15S) | 2 x #16S (15S) | 2 x #12 (25) | 2 x #0 (100) |
| Service Rating | A | A | D | A |



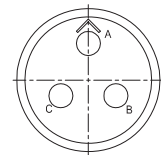
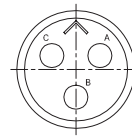
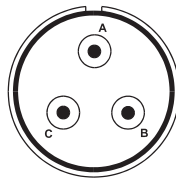
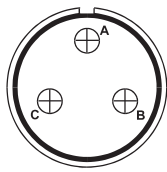
| | | | | |
|----------------------------------|--------------|--------------|-----------|--------------|
| Contact Arrangement | 22-1 | 24-9 | 28-T2 | 32-5 |
| No. Contacts x Size AWG (Metric) | 2 x #8 (100) | 2 x #4 (160) | 2 x Co Ax | 2 x #0 (500) |



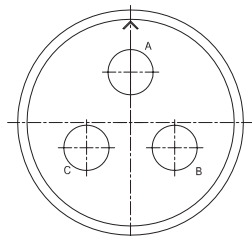
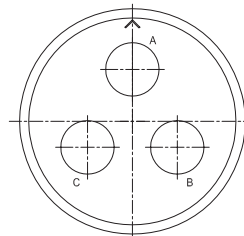
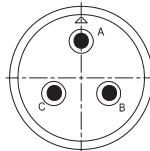
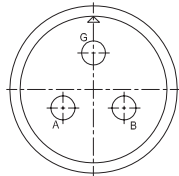
3 Contacts



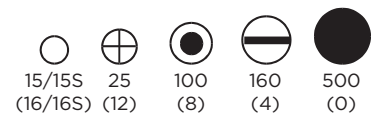
| | | | | |
|----------------------------------|----------------|----------------|----------------|--------------|
| Contact Arrangement | 10SL-3 | 14S-7 | 16S-5 | 16-10 |
| No. Contacts x Size AWG (Metric) | 3 x #16S (15S) | 3 x #16S (15S) | 3 x #16S (15S) | 3 x #12 (25) |
| Service Rating | A | A | A | A |



| | | | | |
|----------------------------------|--------------|--------------|----------------|----------------|
| Contact Arrangement | 20-3 | 22-2 | 14S-1 | 16S-5 |
| No. Contacts x Size AWG (Metric) | 3 x #12 (25) | 3 x #8 (100) | 3 x #16S (15S) | 3 x #16S (15S) |
| Service Rating | D | D | | |

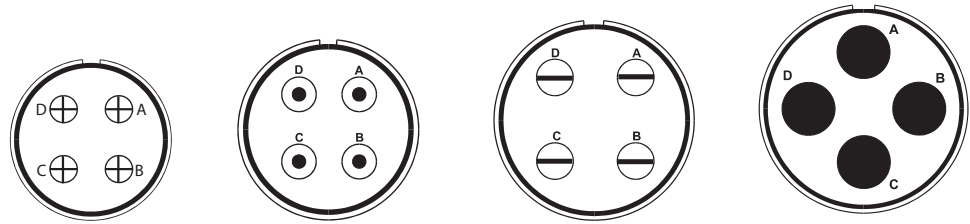


| | | | | |
|----------------------------------|--------------|--------------|--------------|--------------|
| Contact Arrangement | 18-22 | 20-19 | 28-6 | 28-3 |
| No. Contacts x Size AWG (Metric) | 3 x #16 (15) | 3 x #8 (100) | 3 x #4 (160) | 3 x #8 (100) |

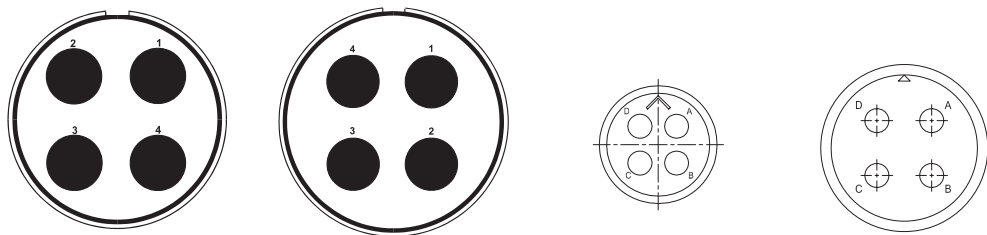


F80 CONTACT ARRANGEMENTS

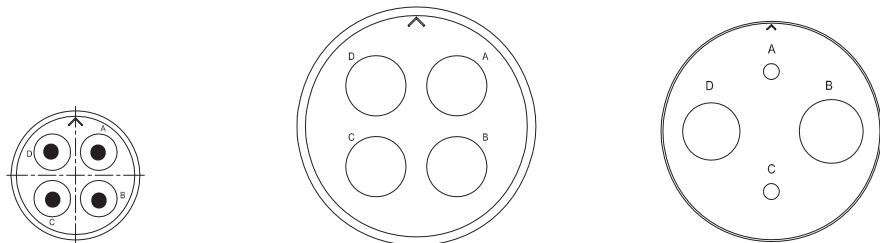
4 Contacts



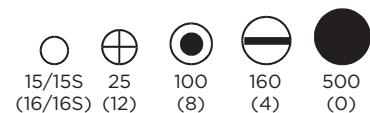
| | | | | |
|----------------------------------|--------------|--------------|--------------|--------------|
| Contact Arrangement | 20-4 | 24-22 | 32-17 | 36-5 |
| No. Contacts x Size AWG (Metric) | 4 x #12 (25) | 4 x #8 (100) | 4 x #4 (160) | 4 x #0 (500) |
| Service Rating | D | D | D | A |



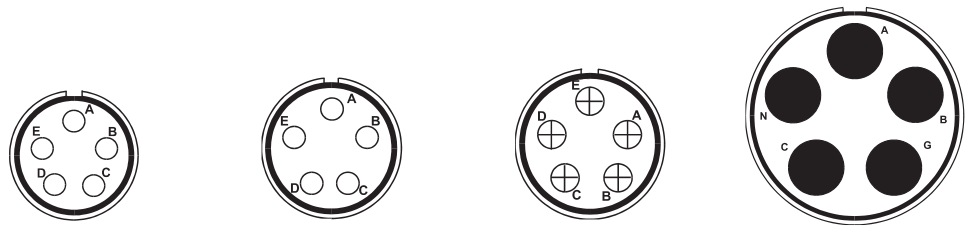
| | | | | |
|----------------------------------|--------------|--------------|----------------|--------------|
| Contact Arrangement | 40-E4 | 49-A4 | 14S-2 | 18-4 |
| No. Contacts x Size AWG (Metric) | 4 x #0 (500) | 4 x #0 (500) | 4 x #16S (15S) | 4 x #16 (15) |
| Service Rating | E | D | | |



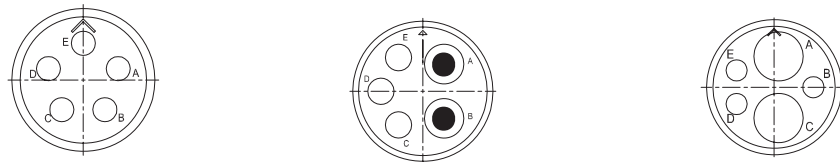
| | | | |
|----------------------------------|--------------|----------|---------------------------|
| Contact Arrangement | 22-22 | 32-C17 | 49-D4 |
| No. Contacts x Size AWG (Metric) | 4 x #8 (100) | 4 x COAX | 2 x #0000 2 x #12 (25) |



5 Contacts

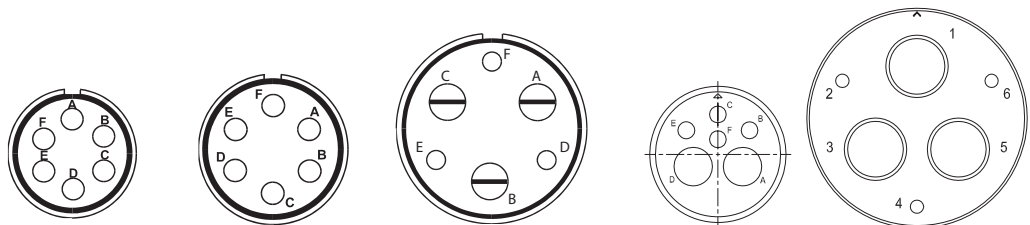


| | | | | |
|----------------------------------|----------------|----------------|--------------|--------------|
| Contact Arrangement | 14S-5 | 16S-8 | 18-11 | 40-A5 |
| No. Contacts x Size AWG (Metric) | 5 x #16S (15S) | 5 x #16S (15S) | 5 x #12 (25) | 5 x #0 (500) |
| Service Rating | Inst. | A | D | A |

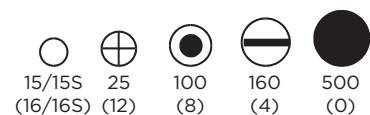


| | | | |
|----------------------------------|--------------|------------------------------|------------------------------|
| Contact Arrangement | 16S-8 | 20-14 | 24-12 |
| No. Contacts x Size AWG (Metric) | 5 x #16 (15) | 3 x #12 (25) 2 x #8 (100) | 2 x #4 (160) 3 x #12 (25) |

6 Contacts

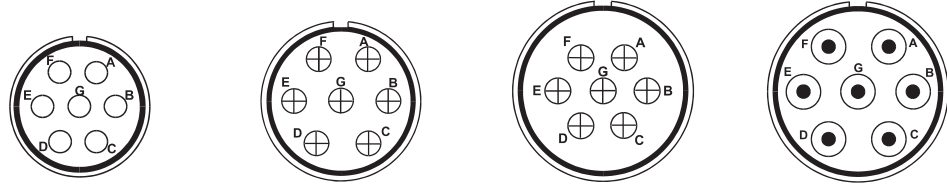


| | | | | | |
|----------------------------------|----------------|--------------|------------------------------|------------------------------|--------------------------|
| Contact Arrangement | 14S-6 | 18-12 | 28-22 | 20-8 | 40-D6 |
| No. Contacts x Size AWG (Metric) | 6 x #16S (15S) | 6 x #16 (15) | 3 x #16 (15) 3 x #4 (160) | 4 x #16 (15) 2 x #8 (100) | 3 #16 (15) 3 #0 (500) |
| Service Rating | Inst. | A | D | | |

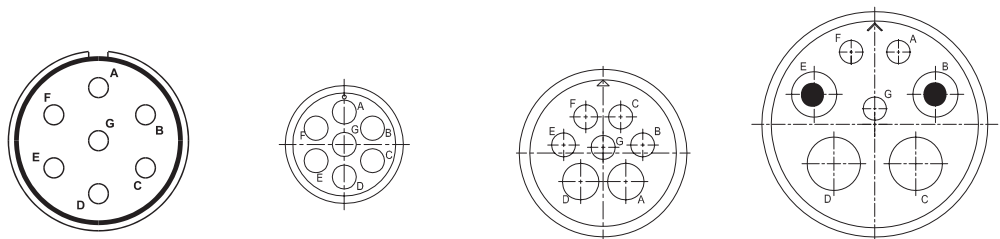


F80 CONTACT ARRANGEMENTS

7 Contacts

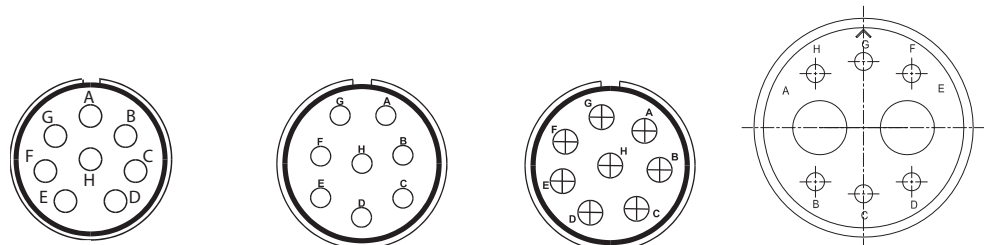


| | | | | |
|----------------------------------|----------------|--------------|--------------|--------------|
| Contact Arrangement | 16S-1 | 20-15 | 24-2 | 24-10 |
| No. Contacts x Size AWG (Metric) | 7 x #16S (15S) | 7 x #12 (25) | 7 x #12 (25) | 7 x #8 (100) |
| Service Rating | A | A | D | A |

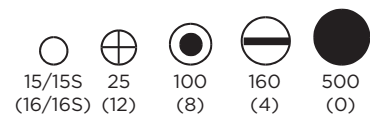


| | | | | |
|----------------------------------|--------------|----------------|------------------------------|----------------------------------------------|
| Contact Arrangement | 24-27 | 14S-A7 | 18-9 | 28-10 |
| No. Contacts x Size AWG (Metric) | 7 x #16 (15) | 7 x #16S (15S) | 5 x #16 (15) 2 x #12 (25) | 3 x #12 (25) 2 x #8 (100) 2 x #4 (160) |
| Service Rating | A | | | |

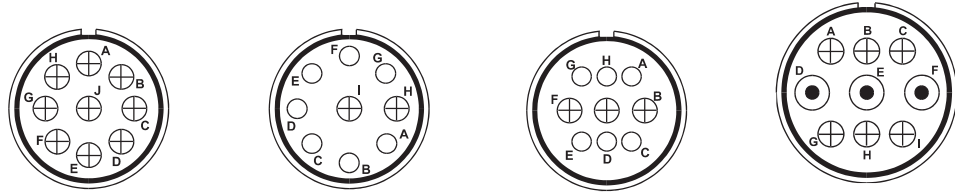
8 Contacts



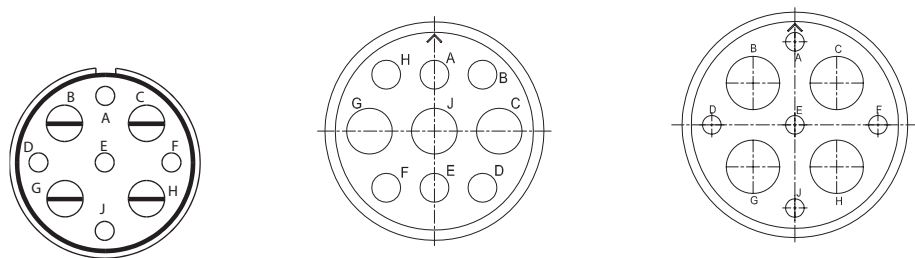
| | | | | |
|----------------------------------|-----------------------------|-------------------------------|-----------------------|------------------------------|
| Contact Arrangement | 20-7 | 22-18 | 22-23 | 28-8 |
| No. Contacts x Size AWG (Metric) | 8 x #16 (15) | 8 x #16 (15) | 8 x #12 (25) | 2 x #4 (160) 6 x #16 (15) |
| Service Rating | A,B,H,G = D, Balance = A | A,B,F,G,H = D, Balance = A | H = D, Balance = A | |



9 Contacts

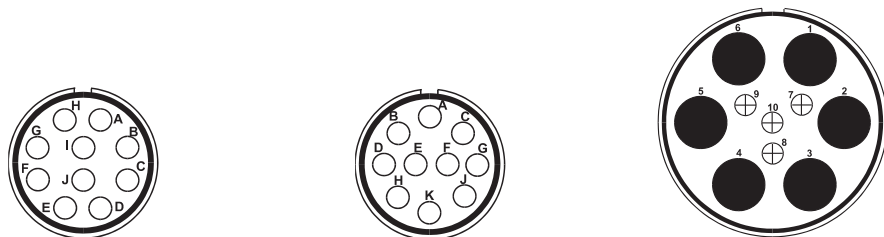


| | | | | |
|----------------------------------|------------------------|--------------|-----------------------------|------------------------------|
| Contact Arrangement | 20-A9 | 20-16 | 20-18 | 24-11 |
| No. Contacts x Size AWG (Metric) | 9 x #12 (25) | 2 x #12 (25) | 6x #16 (15) 3 x #12 (25) | 6 x #12 (25) 3 x #8 (100) |
| Service Rating | J = D. Balance = Inst. | A | A | |

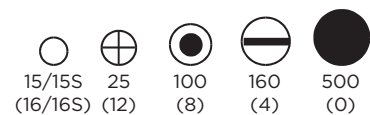


| | | | |
|----------------------------------|------------------------------|-----------------------------|--------------------------|
| Contact Arrangement | 28-A9 | 28-1 | 28-T9 |
| No. Contacts x Size AWG (Metric) | 4 x #4 (160) 5 x #16 (15) | 3 x #8 (100) 6x #12 (25) | 5 x #16 (15) 4 x COAX |
| Service Rating | A | | |

10 Contacts

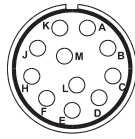


| | | | |
|----------------------------------|---------------------------------|---------------|-------------------------------|
| Contact Arrangement | 18-1 | 18-19 | 49-10 |
| No. Contacts x Size AWG (Metric) | 10 x #16 (15) | 10 x #16 (15) | 4 x #12 (25) 6 x # 0 (500) |
| Service Rating | B,C,F,G = A. Balance = Inst. | A | D |



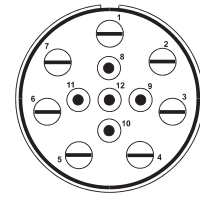
F80 CONTACT ARRANGEMENTS

11 Contacts



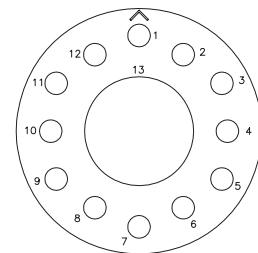
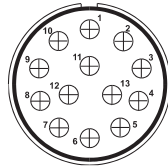
| | |
|----------------------------------|---------------|
| Contact Arrangement | 20-33 |
| No. Contacts x Size AWG (Metric) | 11 x #16 (15) |
| Service Rating | A |

12 Contacts



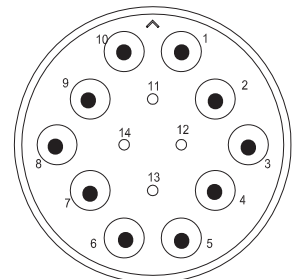
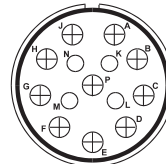
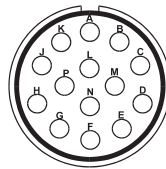
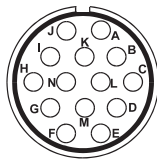
| | |
|----------------------------------|------------------------------|
| Contact Arrangement | 49-A12 |
| No. Contacts x Size AWG (Metric) | 5 x #8 (100) 7 x #4 (160) |
| Service Rating | D |

13 Contacts

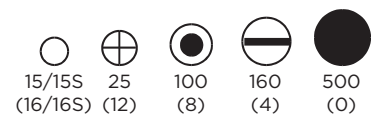


| | | | |
|----------------------------------|---------------|---------------|---------------------------|
| Contact Arrangement | 32-A13 | 20-11 | 28-C1 |
| No. Contacts x Size AWG (Metric) | 13 x #12 (25) | 13 x #16 (15) | 12 x #16 (15) 1 x COAX |
| Service Rating | D | | |

14 Contacts

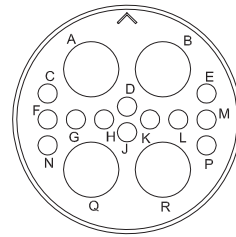
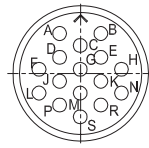
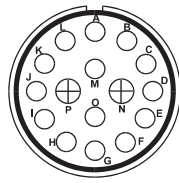


| | | | | |
|----------------------------------|---------------|---------------|-------------------------------|-------------------------------|
| Contact Arrangement | 20-27 | 22-19 | 28-20 | 36-D78 |
| No. Contacts x Size AWG (Metric) | 14 x #16 (15) | 14 x #16 (15) | 4 x #16 (15) 10 x #12 (25) | 10 x #8 (100) 4 x #16 (15) |
| Service Rating | A | A | A | |



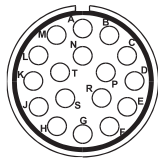
F80 CONTACT ARRANGEMENTS

16 Contacts



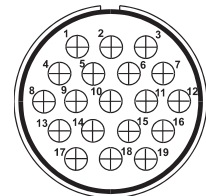
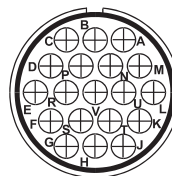
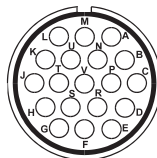
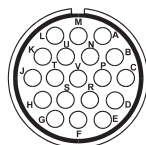
| | | | |
|----------------------------------|-------------------------------|---------------|-------------------------------|
| Contact Arrangement | 24-7 | 24-5 | 32-68 |
| No. Contacts x Size AWG (Metric) | 14 x #16 (15) 2 x #12 (25) | 16 x #16 (15) | 4 x #4 (160) 12 x #16 (15) |
| Service Rating | A | | |

17 Contacts

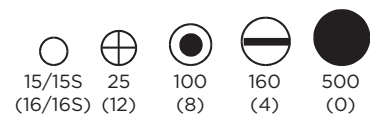


| | |
|----------------------------------|---------------|
| Contact Arrangement | 20-29 |
| No. Contacts x Size AWG (Metric) | 17 x #16 (15) |
| Service Rating | A |

19 Contacts

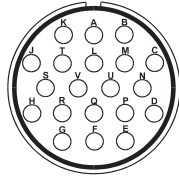


| | | | | |
|----------------------------------|---------------|---------------|---------------|---------------|
| Contact Arrangement | 20-A48 | 22-14 | 24-67 | 32-76 |
| No. Contacts x Size AWG (Metric) | 19 x #16 (15) | 19 x #16 (15) | 19 x #12 (25) | 19 x #12 (25) |
| Service Rating | Inst. | A | A | A |



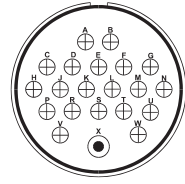
F80 CONTACT ARRANGEMENTS

20 Contacts



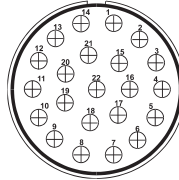
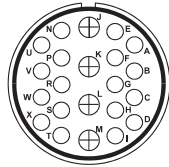
| | |
|----------------------------------|---------------|
| Contact Arrangement | 28-16 |
| No. Contacts x Size AWG (Metric) | 20 x #16 (15) |
| Service Rating | A |

21 Contacts



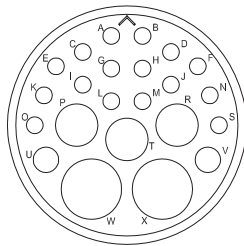
| | |
|----------------------------------|-------------------------------|
| Contact Arrangement | 40-D21 |
| No. Contacts x Size AWG (Metric) | 20 x #12 (25) 1 x #8 (100) |
| Service Rating | D |

22 Contacts



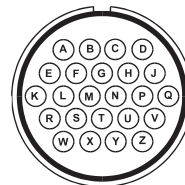
| | | |
|----------------------------------|---------------------------------|----------------|
| Contact Arrangement | 28-11 | 36-A22 |
| No. Contacts x Size AWG (Metric) | 18 x # 16 (15) 4 x # 12 (25) | 22 x # 12 (25) |
| Service Rating | A | |

23 Contacts

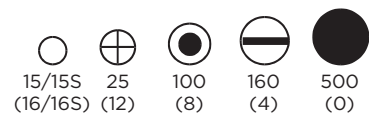


| | |
|----------------------------------|---------------------------------------------------------------|
| Contact Arrangement | 32-6 |
| No. Contacts x Size AWG (Metric) | 2 x #4 (160) 3 x #8 (100) 2 x #12 (25) 16 x #16 (15) |

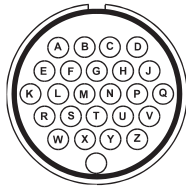
24 Contacts



| | |
|----------------------------------|---------------|
| Contact Arrangement | 24-28 |
| No. Contacts x Size AWG (Metric) | 24 x #16 (15) |
| Service Rating | Inst. |

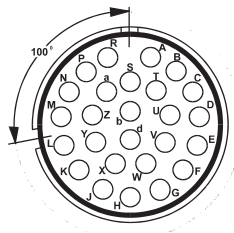
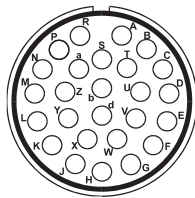


25 Contacts



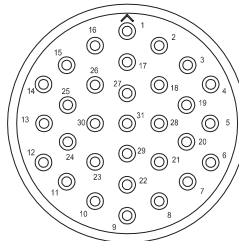
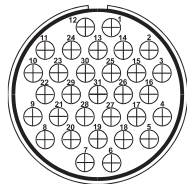
| | |
|----------------------------------|---------------|
| Contact Arrangement | 24-A25 |
| No. Contacts x Size AWG (Metric) | 25 x #16 (15) |
| Service Rating | A |

26 Contacts

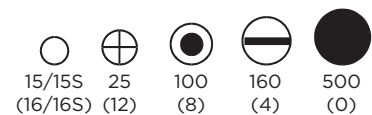


| | | |
|----------------------------------|---------------|----------------------------------------|
| Contact Arrangement | 28-12 | 28-13 |
| No. Contacts x Size AWG (Metric) | 26 x #16 (15) | 28-12 Rotated by 100° 26 x #16 (15) |
| Service Rating | A | A |

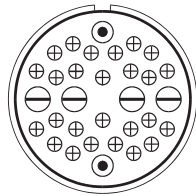
31 Contacts



| | | |
|----------------------------------|---------------|---------------|
| Contact Arrangement | 40-A31 | 32-31 |
| No. Contacts x Size AWG (Metric) | 31 x #12 (25) | 31 x #16 (15) |
| Service Rating | D | |

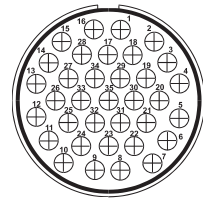
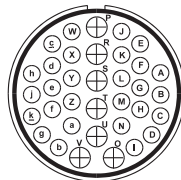


32 Contacts



| | |
|----------------------------------|-------------------------------------------|
| Contact Arrangement | 49-D32 |
| No. Contacts x Size AWG (Metric) | 26 x #12 (25) 2 x #8 (100) 4 x Coax |
| Service Rating | D |

35 Contacts

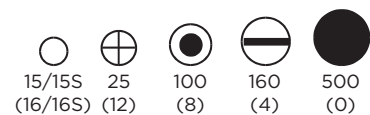


| | | | |
|----------------------------------|---------------|----------------------------------|---------------|
| Contact Arrangement | 28-15 | 32-7 | 40-A35 |
| No. Contacts x Size AWG (Metric) | 35 x #16 (15) | 28 x #16 (15) 7 x #12 (25) | 35 x #12 (25) |
| Service Rating | A | A,B,H & J = Inst. Balance = A | D |

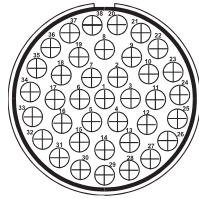
37 Contacts



| | |
|----------------------------------|---------------|
| Contact Arrangement | 28-21 |
| No. Contacts x Size AWG (Metric) | 37 x #16 (15) |
| Service Rating | A |

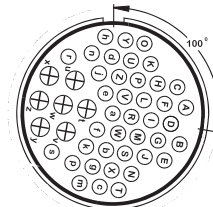
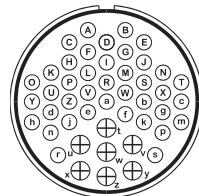


38 Contacts

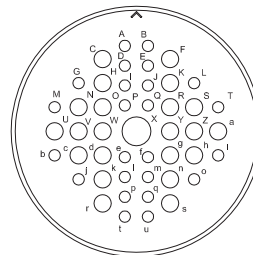
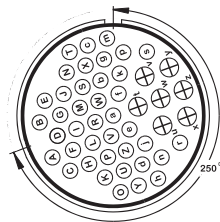


| | |
|----------------------------------|---------------|
| Contact Arrangement | 40-A38 |
| No. Contacts x Size AWG (Metric) | 38 x #12 (25) |
| Service Rating | A |

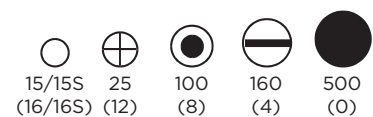
47 Contacts



| | | |
|----------------------------------|-------------------------------|----------------------|
| Contact Arrangement | 36-7 | 36-16 |
| No. Contacts x Size AWG (Metric) | 40 x #16 (15) 7 x #12 (25) | 36-7 Rotated by 100° |
| Service Rating | A | A |

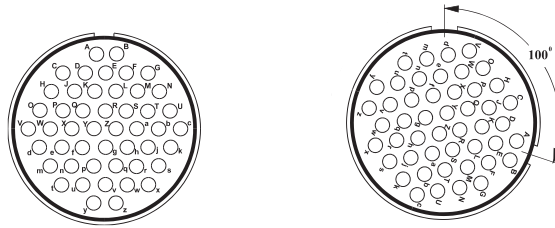


| | | |
|----------------------------------|----------------------|------------------------------------------------|
| Contact Arrangement | 36-17 | 40-9 |
| No. Contacts x Size AWG (Metric) | 36-7 Rotated by 250° | 1 x #8 (100) 22 x #12 (25) 24 x #16 (15) |
| Service Rating | A | |

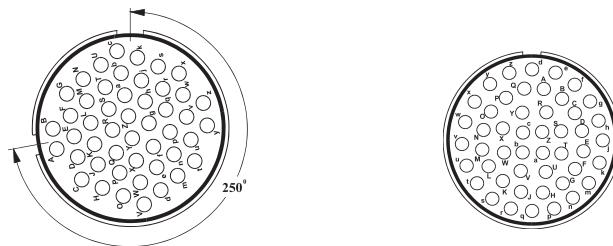


F80 CONTACT ARRANGEMENTS

48 Contacts



| | | |
|----------------------------------|---------------|-----------------------|
| Contact Arrangement | 36-10 | 36-11 |
| No. Contacts x Size AWG (Metric) | 48 x #16 (15) | 36-10 Rotated by 100° |
| Service Rating | A | A |

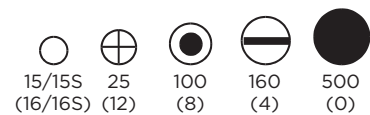


| | | |
|----------------------------------|-----------------------|----------------|
| Contact Arrangement | 36-12 | 36-A48 |
| No. Contacts x Size AWG (Metric) | 36-10 Rotated by 250° | 48 x # 16 (15) |
| Service Rating | A | Inst. |

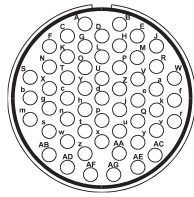
49 Contacts



| | | |
|----------------------------------|-----------------------------------------------------------|-------------------------------|
| Contact Arrangement | 49-A49 | 49-D1 |
| No. Contacts x Size AWG (Metric) | 38 x #16 (15), 4 x #12 (25) 5 x #8 (100), 2 x #4 (160) | 44 x #16 (15) 5 x #4 (160) |
| Service Rating | D | D |

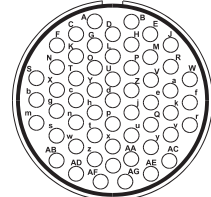


54 Contacts



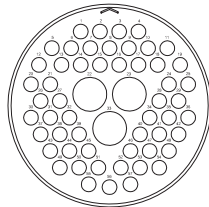
| | |
|----------------------------------|---------------|
| Contact Arrangement | 32-22 |
| No. Contacts x Size AWG (Metric) | 54 x #16 (15) |
| Service Rating | A |

55 Contacts



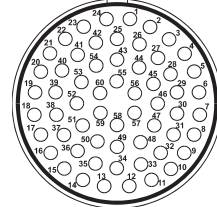
| | |
|----------------------------------|---------------|
| Contact Arrangement | 32-A55 |
| No. Contacts x Size AWG (Metric) | 55 x #16 (15) |

57 Contacts



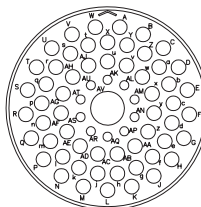
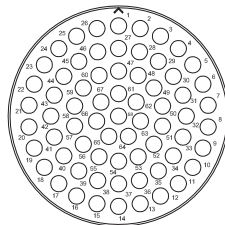
| | |
|----------------------------------|---------------------------|
| Contact Arrangement | 49-A57 |
| No. Contacts x Size AWG (Metric) | 54 x #12 (25) 3 x Coax |

60 Contacts

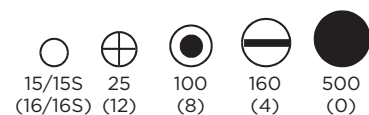


| | |
|----------------------------------|---------------|
| Contact Arrangement | 40-A60 |
| No. Contacts x Size AWG (Metric) | 60 x #16 (15) |
| Service Rating | A |

68 Contacts

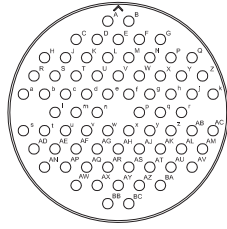


| | | |
|----------------------------------|---------------|--------------------------------------------|
| Contact Arrangement | 49-A68 | 49-D68 |
| No. Contacts x Size AWG (Metric) | 68 x #12 (25) | 57 x #12 (25) 10 x #16 (15) 1 x Coax |



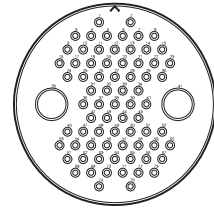
F80 CONTACT ARRANGEMENTS

74 Contacts



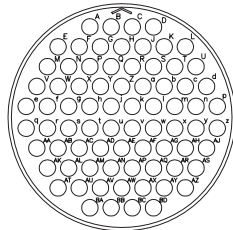
| | |
|----------------------------------|----------------|
| Contact Arrangement | 49-74 |
| No. Contacts x Size AWG (Metric) | 74 x # 16 (15) |

75 Contacts



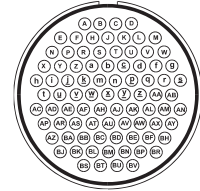
| | |
|----------------------------------|----------------------------|
| Contact Arrangement | 49-D75 |
| No. Contacts x Size AWG (Metric) | 73 x # 16 (15) 2 x Coax |

76 Contacts



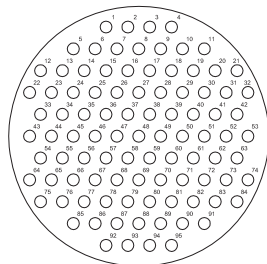
| | |
|----------------------------------|----------------|
| Contact Arrangement | 49-A76 |
| No. Contacts x Size AWG (Metric) | 76 x # 12 (25) |

85 Contacts

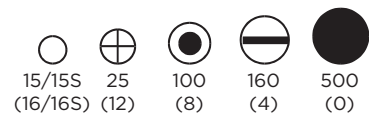


| | |
|----------------------------------|----------------|
| Contact Arrangement | 40-56 |
| No. Contacts x Size AWG (Metric) | 85 x # 16 (15) |
| Service Rating | A |

95 Contacts



| | |
|----------------------------------|----------------|
| Contact Arrangement | 49-A95 |
| No. Contacts x Size AWG (Metric) | 95 x # 16 (15) |



F80 CONTACT ARRANGEMENTS SELECTION CHART

| Contact Size AWG(Metric) & Current Rating (Derated) | | | | | | | | | |
|-----------------------------------------------------|------------|-------------|----------------|---------|---------|---------|---------|-------------------|----------------|
| Amps at 85° C | | | | | | | | | |
| Shell Size | Cont. Arr. | No. of Cts. | 6/16S (15/15S) | 12 (25) | 8 (100) | 4 (160) | 0 (500) | Shell Orientation | Service Rating |
| 10SL | 3 | 3 | 3x10A | | | | | N | A |
| 10SL | 4 | 2 | 2x10A | | | | | N | A |
| 14S | 1 | 3 | 3x10A | | | | | | |
| 14S | 2 | 4 | 4x10A | | | | | | |
| 14S | 5 | 5 | 5x10A | | | | | NX | Inst. |
| 14S | 6 | 6 | 6x10A | | | | | NW | Inst. |
| 14S | 7 | 3 | 3x10A | | | | | NWXY | A |
| 14S | A7 | 7 | 7x10A | | | | | | |
| 14S | 9 | 2 | 2x10A | | | | | NWXYZ | A |
| 16S | 1 | 7 | 7x10A | | | | | NWZ | A |
| 16S | 5 | 3 | 3x10A | | | | | NWXYZ | A |
| 16S | 8 | 5 | 5x10A | | | | | NWY | A |
| 16 | 10 | 3 | | 3x20A | | | | NWXY | A |
| 18 | 1 | 10 | 10x10A | | | | | NWXYZ | *A&Inst |
| 18 | 3 | 2 | | 2x20A | | | | NWXYZ | D |
| 18 | 4 | 4 | 4x10A | | | | | | |
| 18 | 9 | 7 | 5x10A | 2x20A | | | | | |
| 18 | 11 | 5 | | 5x20A | | | | NXY | A |
| 18 | 12 | 6 | 6x10A | | | | | NWZ | A |
| 18 | 19 | 10 | 10x10A | | | | | NXY | A |
| 18 | 22 | 3 | 3x10A | | | | | NXY | A |
| 20 | 3 | 3 | | 3x20A | | | | NWXYZ | D |
| 20 | 4 | 4 | | 4x20A | | | | NWXY | D |
| 20 | 7 | 8 | 8x10A | | | | | NWXYZ | *A&D |
| 20 | 8 | 6 | 4x10A | 2x20A | | | | | |
| 20 | A9 | 9 | | 9x20A | | | | NXY | *D&Inst |
| 20 | 11 | 13 | 13x10A | | | | | NWZ | A |
| 20 | 14 | 5 | | 3x20A | 2x42A | | | | |
| 20 | 15 | 7 | | 7x20A | | | | NWZ | A |
| 20 | 16 | 9 | 7x10A | 2x20A | | | | NWXYZ | A |
| 20 | 18 | 9 | 6x10A | 3x20A | | | | NWXYZ | A |
| 20 | 19 | 3 | | | 3x42A | | | | |
| 20 | 23 | 2 | | | 2x42A | | | | |
| 20 | 27 | 14 | 14x10A | | | | | NWXYZ | A |
| 20 | 29 | 17 | 17x10A | | | | | NWZ | A |
| 20 | 33 | 11 | 11x10A | | | | | NZ | A |
| 20 | A48 | 19 | 19x10A | | | | | NXY | Inst |
| 22 | 1 | 2 | | | 2x42A | | | | |
| 22 | 2 | 3 | | | 3x42A | | | NWXYZ | D |
| 22 | 7 | 1 | | | | | 1x135A | | |
| 22 | 14 | 19 | 19x10A | | | | | NWXYZ | A |
| 22 | 18 | 8 | 8x10A | | | | | NWXYZ | *A&D |
| 22 | 19 | 14 | 14x10A | | | | | NWXY | A |
| 22 | 22 | 4 | | | 4x42A | | | | |
| 22 | 23 | 8 | | 8x20A | | | | NWY | *A&D |
| 24 | 2 | 7 | | 7x20A | | | | NWZ | D |
| 24 | 5 | 16 | 16x10A | | | | | | |
| 24 | 7 | 16 | 14x10A | 2x20A | | | | NWXYZ | A |
| 24 | 9 | 2 | | | | 2x75A | | | |
| 24 | 10 | 7 | | | 7x42A | | | NWZ | A |
| 24 | 11 | 9 | | 6x20A | 3x42A | | | NWXYZ | A |
| 24 | 12 | 5 | | 3x20A | | 2x75A | | | |
| 24 | 22 | 4 | | | 4x42A | | | NWXY | D |
| 24 | A25 | 25 | 25x10A | | | | | NWXYZ | A |
| 24 | 27 | 7 | 7x10A | | | | | NWZ | E |
| 24 | 28 | 24 | 24x10A | | | | | NWXYZ | Inst. |
| 24 | 67 | 19 | | 19x20A | | | | NWXYZ | A |

***Contact Arrangements/Service Ratings**

- | | |
|-------------------------------------|-----------------|
| 18-1 Contacts B,C,F,G = A. | Balance = Inst. |
| 20-7 Contacts C,D,E,F = A | Balance = D |
| 22-23 Contact H = D | Balance = A |
| 20-A9 Contact J = D | Balance = Inst. |
| 22-18 Contacts A,B,F,G,H = D | Balance = A |

F80 CONTACT ARRANGEMENTS SELECTION CHART

| Contact Size AWG(Metric) & Current Rating (Derated) Amps at 85° C | | | | | | | | | |
|----------------------------------------------------------------------|------------|-------------|----------------|---------|---------|---------|---------|-------------------|----------------|
| Shell Size | Cont. Arr. | No. of Cts. | 6/16S (15/15S) | 12 (25) | 8 (100) | 4 (160) | 0 (500) | Shell Orientation | Service Rating |
| 28 | 1 | 9 | | 6x20A | 3x42A | | | | |
| 28 | C1 | 13 | 12x10A | | | | | | |
| 28 | T2 | 2 | | | | | | | |
| 28 | 3 | 3 | | | 3x42A | | | | |
| 28 | 6 | 3 | | | | 3x75A | | | |
| 28 | 8 | 8 | 6x10A | | | 2x75A | | | |
| 28 | T9 | 9 | 5x10A | | | | | | |
| 28 | 10 | 7 | | 3x20A | 2x42A | 2x75A | | | |
| 28 | 11 | 22 | 18x10A | 4x20A | | | | NWXYZ | A |
| 28 | 12 | 26 | 26x10A | | | | | NWXY | A |
| 28 | 13 | 26 | 26x10A | | | | | - | A |
| 28 | 15 | 35 | 35x10A | | | | | NWXYZ | A |
| 28 | 16 | 20 | 20x10A | | | | | NWXYZ | A |
| 28 | 20 | 14 | 4x10A | 10x20A | | | | NWXYZ | A |
| 28 | 21 | 37 | 37x10A | | | | | NWXYZ | A |
| 28 | 22 | 6 | 3x10A | | | 3x75A | | NWXYZ | D |
| 28 | A9 | 9 | 5X10A | | | 4X75A | | NWXYZ | A |
| 32 | 5 | 2 | | | | | 2x135A | | |
| 32 | 6 | 23 | 16x10A | 2x20A | 3x42A | 2x75A | | | |
| 32 | 7 | 35 | 28x10A | 7x20A | | | | NWXYZ | *A&Inst |
| 32 | A13 | 13 | | 13x20A | | | | NWXYZ | D |
| 32 | 17 | 4 | | | | 4x75A | | NWXY | D |
| 32 | C17 | 4 | | | | | | | |
| 32 | 22 | 54 | 54x10A | | | | | NWXYZ | A |
| 32 | 31 | 31 | 31x10A | | | | | | |
| 32 | A55 | 55 | 55x10A | | | | | NWXYZ | A |
| 32 | 68 | 16 | 12x10A | | | 4x75A | | | |
| 32 | 76 | 19 | | 19x20A | | | | NWXYZ | A |
| 36 | 5 | 4 | | | | | 4x135A | NXY | A |
| 36 | 7 | 47 | 40x10A | 7x20A | | | 4x135A | NWXYZ | A |
| 36 | 10 | 48 | 48x10A | | | | | NWXYZ | A |
| 36 | 11 | 48 | 48x10A | | | | | - | A |
| 36 | 12 | 48 | 48x10A | | | | | - | A |
| 36 | 16 | 47 | 40x10A | 7x20A | | | | - | A |
| 36 | 17 | 47 | 40x10A | 7x20A | | | | - | A |
| 36 | A22 | 22 | | 22x20A | | | | NWXYZ | D |
| 36 | A48 | 48 | 48x10A | | | | | NW | Inst |
| 36 | 54 | 39 | 31x10A | 8x42A | | | | NW | A |
| 36 | D68 | 14 | 4x10A | | 10x42A | | | | |
| 36 | D78 | 14 | 4x10A | | 10x42A | | | | |
| 40 | 56 | 85 | 85x10A | | | | | NWXYZ | A |
| 40 | A5 | 5 | | | | | 5x135A | NWZ | A |
| 40 | D6 | 6 | 3x10A | | | | 3x135A | | |
| 40 | 9 | 47 | 24x10A | 22x20A | 1X42A | | | | |
| 40 | D21 | 21 | | 20x20A | 1x42A | | | NW | D |
| 40 | A31 | 31 | | 31x20A | | | | NWXYZ | D |
| 40 | A35 | 35 | | 35x20A | | | | NWXYZ | D |
| 40 | A38 | 38 | | 38x20A | | | | NWXYZ | A |
| 40 | A60 | 60 | 60x10A | | | | | NWXYZ | A |
| 40 | E4 | 4 | | | | | 4x135A | NWX | E |
| 49 | D1 | 49 | 44x10A | | | 5xCoax | | NW | D |
| 49 | A4 | 4 | | | | | 4x135A | NW | D |
| 49 | D4 | 4 | | 2X20A | | | | | |
| 49 | A10 | 10 | | 4x20A | | | 6x135A | NWX | D |
| 49 | A12 | 12 | | | 5x42A | 7x75A | | NW | D |
| 49 | D32 | 32 | | 26x20A | 2x42A | 4xCoax | | NW | D |
| 49 | A49 | 49 | 38x10A | 4x20A | 5x42A | 2xCoax | | NW | D |
| 49 | A57 | 57 | | 54x20A | | | | | |
| 49 | A68 | 68 | | 68x20A | | | | | |
| 49 | D68 | 68 | 10x10A | 57x20A | | | | | |
| 49 | 74 | 74 | 74x10A | | | | | | |
| 49 | D75 | 75 | 73x10A | | | | | | |
| 49 | A76 | 76 | | 76x20A | | | | | |
| 49 | A95 | 95 | 95x10A | | | | | | |

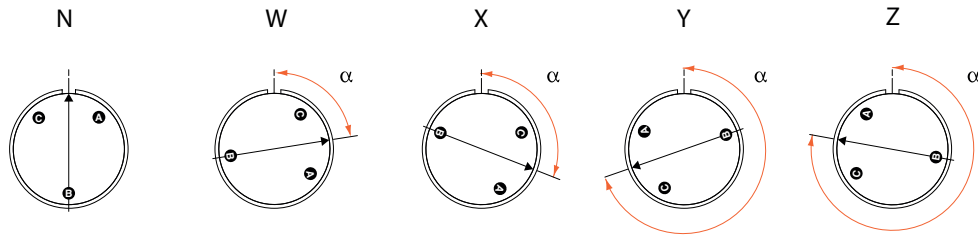
***Contact Arrangements/Service Ratings**

32-7 Contacts A,B,H,J = Inst

Balance = A

ALTERNATIVE INSERT ORIENTATIONS

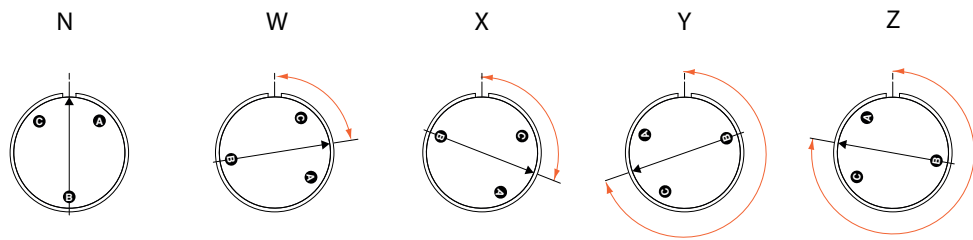
View on Mating Face of Pin Inserts



| Contact Arrangement | Angular Displacement Of Insert | | | | |
|---------------------|--------------------------------|--------|---------|----------|---------|
| | N Yellow | W Blue | X Green | Y Purple | Z White |
| 10SL-3 | 0 | | | | |
| 10S-4 | 0 | | | | |
| 14S-1 | | | | | |
| 14S-2 | | | | | |
| 14S-5 | 0 | | 110 | | |
| 14S-6 | 0 | 90 | | | |
| 14S-7 | 0 | 90 | 180 | 270 | |
| 14S-A7 | | | | | |
| 14S-9 | 0 | 70 | 145 | 215 | 290 |
| 16S-1 | 0 | 80 | | | 280 |
| 16S-5 | 0 | 70 | 145 | 215 | 290 |
| 16S-8 | 0 | | 170 | 265 | |
| 16-10 | 0 | 90 | 180 | 270 | |
| 18-1 | 0 | 70 | 145 | 215 | 290 |
| 18-3 | 0 | 35 | 110 | 250 | 325 |
| 18-4 | | | | | |
| 18-9 | | | | | |
| 18-11 | 0 | | 170 | 265 | |
| 18-12 | 0 | 80 | | | 280 |
| 18-19 | 0 | | 120 | 240 | |
| 18-22 | | | | | |
| 20-3 | 0 | 70 | 145 | 215 | 290 |
| 20-4 | 0 | 45 | 110 | 250 | |
| 20-7 | 0 | 80 | 110 | 250 | 280 |
| 20-8 | | | | | |
| 20-A9 | 0 | | 110 | 250 | |
| 20-11 | | | | | |
| 20-14 | | | | | |
| 20-15 | 0 | 80 | | | 280 |
| 20-16 | 0 | 80 | 110 | 250 | 280 |
| 20-18 | 0 | 35 | 110 | 250 | 325 |
| 20-19 | | | | | |
| 20-23 | | | | | |
| 20-27 | 0 | 35 | 110 | 250 | 325 |
| 20-29 | 0 | 80 | | | 280 |
| 20-33 | 0 | | | | 280 |
| 20-A48 | 0 | | 80 | 280 | |
| 22-1 | | | | | |
| 22-2 | 0 | 70 | 145 | 215 | 290 |
| 22-7 | | | | | |
| 22-14 | 0 | 80 | 110 | 250 | 280 |
| 22-18 | 0 | 80 | 110 | 250 | 280 |
| 22-19 | 0 | 80 | 110 | 250 | 280 |
| 22-22 | | | | | |
| 22-23 | 0 | 35 | | 250 | |
| 24-1 | 0 | 80 | | | 280 |
| 24-5 | | | | | |
| 24-7 | 0 | 80 | 110 | 250 | 280 |
| 24-9 | | | | | |
| 24-10 | 0 | 80 | | | 280 |
| 24-11 | 0 | 35 | 110 | 250 | 325 |
| 24-12 | | | | | |
| 24-22 | 0 | 45 | 110 | 250 | |
| 24-A25 | 0 | 80 | 110 | 250 | 280 |
| 24-27 | 0 | 80 | | | 280 |
| 24-28 | 0 | 80 | 110 | 250 | 280 |
| 24-67 | 0 | 80 | | | 335 |

ALTERNATIVE INSERT ORIENTATIONS

View on Mating Face of Pin Inserts

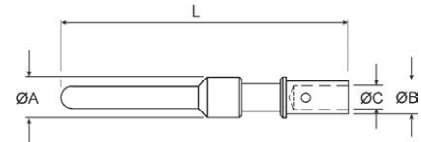


| Contact Arrangement | Angular Displacement Of Insert | | | | |
|---------------------|--------------------------------|--------|---------|----------|---------|
| | N Yellow | W Blue | X Green | Y Purple | Z White |
| 28-1 | | | | | |
| 28-C1 | | | | | |
| 28-T2 | | | | | |
| 28-3 | | | | | |
| 28-6 | | | | | |
| 28-8 | | | | | |
| 28-T9 | | | | | |
| 28-10 | | | | | |
| 28-11 | 0 | 80 | 110 | 250 | 280 |
| 28-12 | 0 | 90 | 180 | 270 | |
| 28-13 | 0 | | | | |
| 28-15 | 0 | 80 | 110 | 250 | 280 |
| 28-16 | 0 | 80 | 110 | 250 | 280 |
| 28-20 | 0 | 80 | 110 | 250 | 280 |
| 28-21 | 0 | 80 | 110 | 250 | 280 |
| 28-22 | 0 | 70 | 145 | 215 | 290 |
| 28-A9 | 0 | 110 | 250 | 260 | 280 |
| 32-5 | | | | | |
| 32-6 | | | | | |
| 32-7 | 0 | 80 | 125 | 235 | 280 |
| 32-A13 | 0 | 65 | 130 | 230 | 295 |
| 32-17 | 0 | 45 | 110 | 250 | |
| 32-C17 | | | | | |
| 32-22 | 0 | 80 | 110 | 250 | 280 |
| 32-31 | | | | | |
| 32-A55 | 0 | 80 | 110 | 250 | 280 |
| 32-68 | | | | | |
| 32-76 | 0 | 80 | 110 | 250 | 280 |
| 36-5 | 0 | | 120 | 240 | |
| 36-7 | 0 | 80 | 110 | 250 | 280 |
| 36-10 | 0 | 80 | 125 | 235 | 280 |
| 36-11 | 0 | | | | |
| 36-12 | 0 | | | | |
| 36-16 | 0 | | | | |
| 36-17 | 0 | | | | |
| 36-A22 | 0 | 80 | 110 | 250 | 280 |
| 36A48 | 0 | 65 | | | |
| 36-54 | 0 | 67 | | | |
| 36-D68 | | | | | |
| 40-56 | 0 | | 144 | 216 | 288 |
| 40-A5 | 0 | 33 | | | 270 |
| 40-D6 | | | | | |
| 40-9 | | | | | |
| 40-D21 | 0 | 80 | | | |
| 40-A31 | 0 | 80 | 110 | 250 | 280 |
| 40-A35 | 0 | 70 | 130 | 230 | 290 |
| 40-A38 | 0 | 37 | 74 | 285 | 322 |
| 40-A60 | 0 | 80 | 110 | 250 | 280 |
| 40-E4 | 0 | 45 | 110 | | |
| 49-D1 | 0 | 80 | | | |
| 49-A4 | 0 | 80 | | | |
| 49-D4 | | | | | |
| 49-A10 | 0 | 80 | 150 | | |
| 49-A12 | 0 | 80 | | | |
| 49-D32 | 0 | | | | |
| 49-A49 | 0 | 80 | | | |
| 49-57 | | | | | |
| 49-A68 | | | | | |
| 49-D68 | | | | | |
| 49-74 | | | | | |
| 49-D75 | | | | | |
| 49-A76 | | | | | |
| 49-A95 | | | | | |

F80 CRIMP CONTACTS PIN

Metric
Imperial

For standard gold plating, add P3 to the end of the part number.

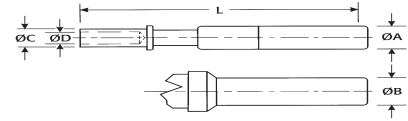


| Contact Size AWG (Metric) | Part Number | A | B | C | Conductor CSA mm ² | L |
|------------------------------|-------------------|-----------------------|-----------------------|-----------------------|----------------------------------|-----------------------|
| 16S/20 | CIRB16S/20KPKF80 | 3,20 0.126 | 2,65 0.104 | 1,10 0.043 | 0,50/0,60 | 26,60 1.047 |
| 16S/18 | CIRB16S/18KPKF80 | 3,20 0.126 | 2,30 0.091 | 1,25 0.049 | 0,75/0,93 | 26,60 1.047 |
| 16S (15S) | CIRB16SKPKF80 | 3,20 0.126 | 2,75 0.108 | 1,75 0.069 | 0,93/1,50 | 26,60 1.047 |
| 16S/14 | CIRB16S/14KPKF80 | 3,20 0.126 | 2,90 0.114 | 1,80 0.071 | 1,94/2,08 | 26,60 1.047 |
| 16/22 | CIRB16/22KPKF80 | 3,20 0.126 | 2,30 0.091 | 0,90 0.035 | 0,22/0,34 | 31,75 1.250 |
| 16/20 | CIRB16/20KPKF80 | 3,20 0.126 | 2,65 0.104 | 1,10 0.043 | 0,50/0,75 | 31,75 1.250 |
| 16/18 | CIRB16/18KPKF80 | 3,20 0.126 | 2,30 0.091 | 1,25 0.049 | 0,75/0,93 | 31,75 1.250 |
| 16 (15) | CIRB16KPKF80 | 3,20 0.126 | 2,75 0.108 | 1,75 0.069 | 0,93/1,50 | 31,75 1.250 |
| 16/14 | CIRB16/14KPKF80 | 3,20 0.126 | 2,90 0.114 | 1,80 0.071 | 1,94/2,08 | 31,75 1.250 |
| 16/12 | CIRB16/12KPKF80 | 3,20 0.126 | 3,80 0.150 | 2,50 0.098 | 2,50/3,00 | 31,75 1.250 |
| 12/20 | CIRB12/20KPKF80 | 4,80 0.189 | 2,65 0.104 | 1,10 0.043 | 0,50/0,60 | 37,50 1.476 |
| 12/18 | CIRB12/18KPKF80 | 4,80 0.189 | 2,30 0.091 | 1,25 0.049 | 0,75/0,93 | 37,50 1.476 |
| 12/16 (25/15) | CIRB12/16KPKF80 | 4,80 0.189 | 2,75 0.108 | 1,75 0.069 | 0,93/1,50 | 37,50 1.476 |
| 12/14 | CIRB12/14KPKF80 | 4,80 0.189 | 2,90 0.114 | 1,80 0.071 | 1,94/2,08 | 37,50 1.476 |
| 12 (25) | CIRB12KPKF80 | 4,80 0.189 | 3,80 0.150 | 2,50 0.098 | 2,50/3,00 | 37,50 1.476 |
| 12/10 | CIRB12/10KPKF80 | 4,80 0.189 | 4,40 0.173 | 3,00 0.118 | 5,53 | 37,50 1.476 |
| 12/40 (25/40) | CIRB12/40KPKF80 | 4,80 0.189 | 4,00 0.157 | 2,70 0.106 | 4,00 | 37,50 1.476 |
| 8/40 (100/40) | CIRB8/40KPKF80 | 7,80 0.307 | 5,20 0.205 | 2,90 0.114 | 4,00 | 40,70 1.602 |
| 8/12 | CIRB8/12KPKF80 | 7,80 0.307 | 3,80 0.150 | 2,50 0.098 | 2,50 | 40,70 1.602 |
| 8/10 | CIRB8/10KPKF80 | 7,80 0.307 | 5,20 0.205 | 3,30 0.130 | 5,53 | 40,70 1.602 |
| 8 | CIRB8KPKF80 | 7,80 0.307 | 6,80 0.268 | 4,55 0.179 | 9,00 | 40,70 1.602 |
| (100/60) | CIRB100/60KPKF80 | 7,80 0.307 | 5,50 0.217 | 3,40 0.134 | 6,00 | 40,70 1.602 |
| (100) | CIRB100KPKF80 | 7,80 0.307 | 7,00 0.276 | 4,40 0.173 | 10,00 | 40,70 1.602 |
| 4/10 | CIRB4/10KPKF80 | 11,00 0.433 | 5,20 0.205 | 3,30 0.130 | 553 | 41,25 1.624 |
| 4 | CIRB4KPKF80 | 11,00 0.433 | 9,55 0.376 | 7,10 0.280 | 22,00 | 41,25 1.624 |
| (160) | CIRB160KPKF80 | 11,00 0.433 | 9,45 0.372 | 5,70 0.224 | 16,00 | 41,25 1.624 |
| 0 | CIRB0KPKF80 | 15,00 0.591 | 14,35 0.565 | 11,50 0.453 | 53,0 | 44,50 1.752 |
| (500/160) | CIRB500/160KPKF80 | 15,00 0.591 | 9,45 0.372 | 5,70 0.224 | 16,00 | 44,50 1.752 |
| (500/250) | CIRB500/250KPKF80 | 15,00 0.591 | 10,00 0.394 | 7,00 0.276 | 25,00 | 44,50 1.752 |
| (500/350) | CIRB500/350KPKF80 | 15,00 0.591 | 11,90 0.468 | 8,00 0.315 | 35,00 | 44,50 1.752 |
| (500) | CIRB500KPKF80 | 15,00 0.591 | 14,35 0.565 | 9,80 0.386 | 50,00 | 44,50 1.752 |

F80 CRIMP CONTACTS SOCKET

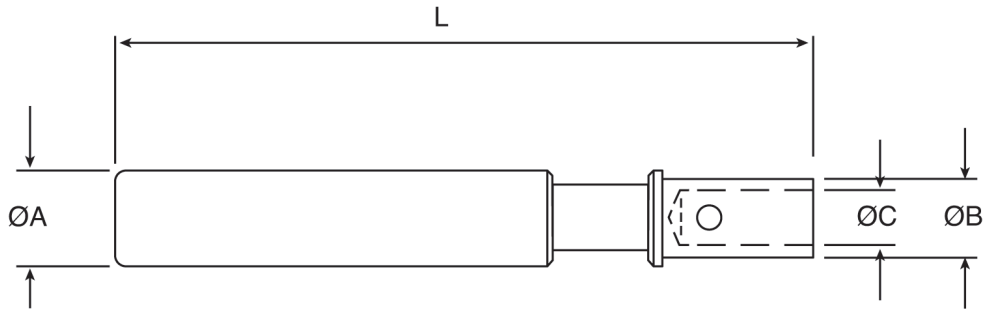
Metric
Imperial

For standard gold plating, add P3 to the end of the part number.



| Contact Size AWG (Metric) | Part Number | A | B | C | D | Conductor CSA mm ² | L |
|------------------------------|-------------------|-----------------------|-----------------------|-----------------------|-----------------------|----------------------------------|-----------------------|
| 16S/20 | CIRB16S/20KSKF80 | 3,20 0.126 | - | 2,65 0.104 | 1,10 0.049 | 0,50/0,60 | 26,60 1.047 |
| 16S/18 | CIRB16S/18KSKF80 | 3,20 0.126 | - | 2,30 0.091 | 1,25 0.069 | 0,75/0,93 | 26,60 1.047 |
| 16S (15S) | CIRB16SKSKF80 | 3,20 0.126 | - | 2,75 0.108 | 1,75 0.069 | 0,93/1,50 | 26,60 1.047 |
| 16S/14 | CIRB16S/14KSKF80 | 3,20 0.126 | - | 3,90 0.114 | 1,80 0.071 | 1,94/2,08 | 26,60 1.047 |
| 16/22 | CIRB16/22KSKF80 | 3,20 0.126 | - | 2,30 0.091 | 0,90 0.035 | 0,22/0,34 | 36,50 1.437 |
| 16/20 | CIRB16/20KSKF80 | 3,20 0.126 | - | 2,65 0.104 | 1,10 0.049 | 0,50/0,75 | 36,50 1.437 |
| 16/18 | CIRB16/18KSKF80 | 3,20 0.126 | - | 2,30 0.091 | 1,25 0.049 | 0,75/0,93 | 36,50 1.437 |
| 16 (15) | CIRB16KSKF80 | 3,20 0.126 | - | 2,75 0.108 | 1,75 0.07 | 0,93/1,50 | 36,50 1.437 |
| 16/14 | CIRB16/14KSKF80 | 3,20 0.126 | - | 2,90 0.114 | 1,80 0.071 | 1,94/2,08 | 36,50 1.437 |
| 16/12 | CIRB16/12KSKF80 | 3,20 0.126 | - | 3,80 0.150 | 2,50 0.098 | 2,50/3,00 | 36,50 1.476 |
| 12/20 | CIRB12/20KSKF80 | 4,80 0.189 | - | 2,65 0.104 | 1,10 0.049 | 0,50/0,60 | 37,50 1.476 |
| 12/18 | CIRB12/18KSKF80 | 4,80 0.189 | - | 2,30 0.091 | 1,25 0.049 | 0,75/0,93 | 37,50 1.476 |
| 12/16 (25/15) | CIRB12/16KSKF80 | 4,80 0.189 | - | 2,75 0.108 | 1,75 0.069 | 0,93/1,50 | 37,50 1.476 |
| 12/14 | CIRB12/14KSKF80 | 4,80 0.189 | - | 2,90 0.114 | 1,80 0.071 | 1,94/2,08 | 37,50 1.476 |
| 12 (25) | CIRB12KSKF80 | 4,80 0.189 | - | 3,80 0.150 | 2,50 0.098 | 2,50/3,00 | 37,50 1.476 |
| 12/10 | CIRB1210KSKF80 | 4,80 0.189 | - | 4,40 0.173 | 3,00 0.118 | 5,53 | 37,50 1.476 |
| 12/40 (25/40) | CIRB12/40KSKF80 | 4,80 0.189 | - | 4,00 0.157 | 2,70 0.106 | 4,00 | 37,50 1.476 |
| 8/40 | CIRB8/40KSKF80 | 7,80 0.307 | 6,50 0.256 | 5,20 0.204 | 2,90 0.114 | 4,00 | 40,70 1.602 |
| 8/12 | CIRB8/12KSKF80 | 7,80 0.307 | 6,50 0.256 | 3,80 0.150 | 2,50 0.098 | 2,50/3,00 | 40,70 1.602 |
| 8/10 | CIRB8/10KSKF80 | 7,80 0.307 | 6,50 0.256 | 4,40 0.173 | 3,00 0.118 | 5,53 | 40,70 1.602 |
| 8 | CIRB8KSKF80 | 7,80 0.307 | 6,50 0.256 | 6,80 0.268 | 4,55 0.179 | 9,00 | 40,70 1.602 |
| (100/60) | CIRB100/60KSKF80 | 7,80 0.307 | 6,50 0.256 | 5,50 0.217 | 3,40 0.134 | 6,00 | 40,70 1.602 |
| (100) | CIRB100KSKF80 | 7,80 0.307 | 6,50 0.256 | 7,00 0.276 | 4,40 0.173 | 10,00 | 40,70 1.602 |
| 4/10 | CIRB4/10KSKF80 | 11,10 0.437 | 6,50 0.256 | 5,20 0.205 | 3,30 0.130 | 5,53 | 41,25 1.624 |
| 4 | CIRB4KSKF80 | 11,10 0.437 | 8,60 0.339 | 9,55 0.376 | 7,10 0.280 | 22,00 | 41,25 1.624 |
| (160) | CIRB160KSKF80 | 11,10 0.437 | 8,60 0.339 | 9,45 0.372 | 5,70 0.224 | 16,00 | 41,25 1.624 |
| 0 | CIRB0KSKF80 | 15,10 0.594 | 13,20 0.520 | 14,35 0.565 | 11,50 0.453 | 53,00 | 44,50 1.752 |
| (500/160) | CIRB500/160KSKF80 | 15,10 0.594 | 13,20 0.520 | 9,45 0.372 | 5,70 0.224 | 16,00 | 44,50 1.752 |
| (500/250) | CIRB500/250KSKF80 | 15,10 0.594 | 13,20 0.520 | 10,00 0.394 | 7,00 0.276 | 25,00 | 44,50 1.752 |
| (500/350) | CIRB500/350KPKF80 | 15,10 0.594 | 13,20 0.520 | 11,90 0.469 | 8,00 0.315 | 35,00 | 44,50 1.752 |
| (500) | CIRB500KPKF80 | 15,10 0.594 | 13,20 0.520 | 14,35 0.565 | 9,80 0.386 | 50,00 | 44,50 1.752 |

F80 CRIMP CONTACTS LOW INSERTION FORCE SOCKET

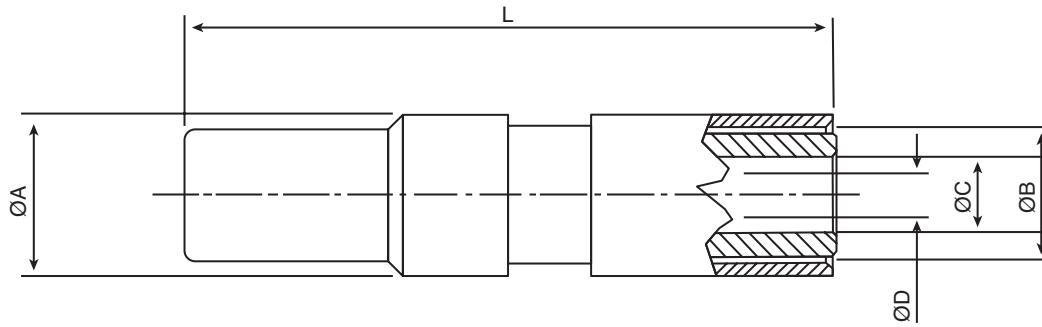


Metric
Imperial

Standard finish = gold plated.

| Contact Size AWG (Metric) | Part Number | A | B | C | Conductor CSA mm ² | L |
|------------------------------|------------------|----------------------|-----------------------|----------------------|----------------------------------|-----------------------|
| 16S (15S) | CIRB16SKLKF80P3 | 3,20 0.126 | 2,75 0.108 | 1,75 0.069 | 1,00/1,50 | 26,60 1.047 |
| 16/22 | CIRB16/22KLF80P3 | 3,20 0.126 | 2,30 0.091 | 0,90 0.035 | 0,22/0,34 | 36,50 1.437 |
| 16/20 | CIRB16/20KLF80P3 | 3,20 0.126 | 2,65 0.104 | 1,10 0.043 | 0,50/0,60 | 36,50 1.437 |
| 16/18 | CIRB16/18KLF80P3 | 3,20 0.126 | 2,30 0.091 | 1,25 0.049 | 0,75/0,93 | 36,50 1.437 |
| 16 (15) | CIRB16KLF80P3 | 3,20 0.126 | 2,75 0.108 | 1,75 0.069 | 1,00/1,50 | 36,50 1.437 |
| 16/14 | CIRB16/14KLF80P3 | 3,20 0.126 | 2,90 0.114 | 1,80 0.071 | 1,94/2,08 | 36,50 1.437 |
| 16/12 | CIRB16/12KLF80P3 | 3,20 0.126 | 3,80 0.150 | 2,50 0.098 | 2,50/3,00 | 36,50 1.437 |
| 12/40 (25/40) | CIRB12/40KLF80P3 | 4,80 0.189 | 4,00 0.157 | 2,70 0.106 | 4,00 | 37,50 1.476 |
| 12/20 | CIRB12/20KLF80P3 | 4,80 0.189 | 2,65 0.104 | 1,10 0.043 | 0,50/0,60 | 37,50 1.476 |
| 12/18 | CIRB12/18KLF80P3 | 4,80 0.189 | 2,30 0.091 | 1,25 0.049 | 0,75/0,93 | 37,50 1.476 |
| 12/16 | CIRB12/16KLF80P3 | 4,80 0.189 | 2,75 0.108 | 1,75 0.069 | 1,00/1,50 | 37,50 1.476 |
| 12/10 | CIRB12/10KLF80P3 | 4,80 0.189 | 4,40 0.175 | 3,00 0.118 | 5,53 | 37,50 1.476 |
| 12 (25) | CIRB12KLF80P3 | 4,80 0.189 | 3,80 0.1508 | 2,50 0.098 | 2,50/3,00 | 37,50 1.476 |

Pin Contact

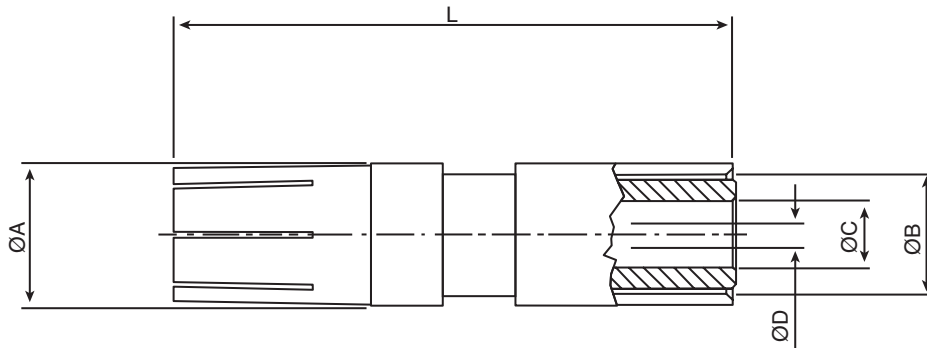


Metric
Imperial

*** Important Note.**
Consult TE for suitable contact arrangement details.

| Contact Size AWG* | Part Number | A | B | C | D | L | Use With Conductors |
|-------------------|------------------------|-----------------------|----------------------|----------------------|----------------------|-----------------------|---------------------|
| 4 | CIRB 4 CKPK F80 P1 001 | 11,10 0.437 | 9,80 0.386 | 5,20 0.205 | 1,07 0.042 | 44,70 1.760 | 0.5 mm ² |
| 4 | CIRB 4 CKPK F80 P1 002 | 11,10 0.437 | 9,80 0.386 | 7,50 0.295 | 1,75 0.069 | 44,70 1.760 | 1.0 mm ² |

Socket Contact

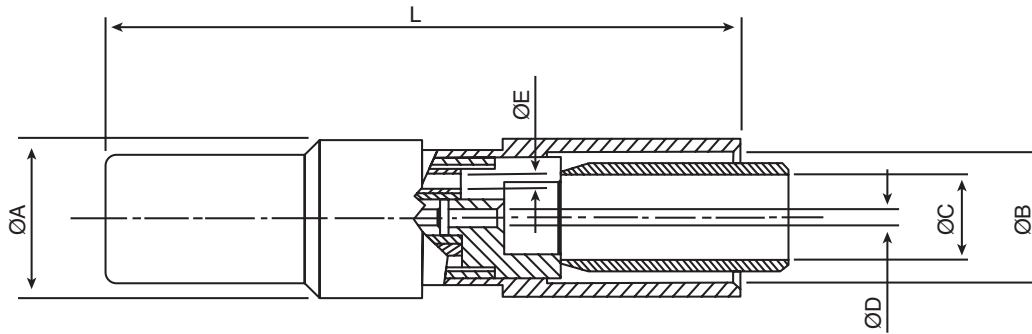


Metric
Imperial

*** Important Note.**
Consult TE for suitable contact arrangement details.

| Contact Size AWG* | Part Number | A | B | C | D | L | Use With Conductors |
|-------------------|------------------------|-----------------------|----------------------|----------------------|----------------------|-----------------------|---------------------|
| 4 | CIRB 4 CKSK F80 P1 001 | 11,10 0.437 | 9,80 0.386 | 5,20 0.205 | 1,07 0.042 | 43,05 1.695 | 0.5 mm ² |
| 4 | CIRB 4 CKSK F80 P1 002 | 11,10 0.437 | 9,80 0.386 | 7,50 0.295 | 1,75 0.069 | 43,05 1.695 | 1.0 mm ² |

Pin Contact

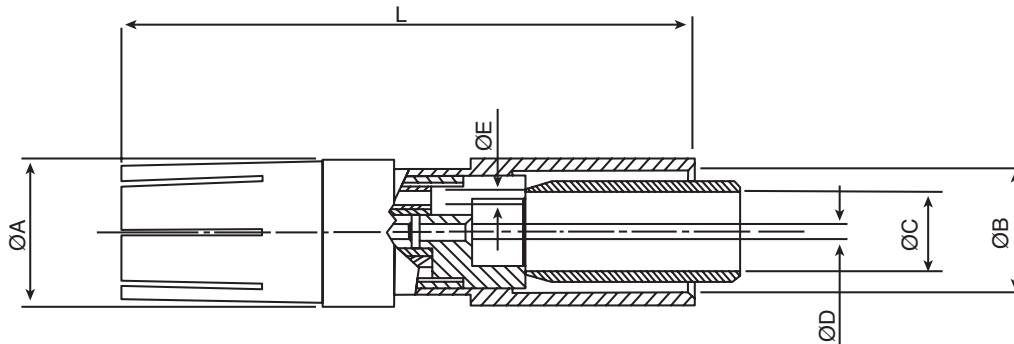


Metric
Imperial

*** Important Note.**
Consult TE for suitable contact arrangement details.

| Contact Size AWG* | Part Number | A | B | C | D | E | L | Use With Conductors |
|----------------------|------------------------|-----------------------|----------------------|----------------------|----------------------|----------------------|-----------------------|---------------------------------------------|
| 4 | CIRB 4 TKPK F80 P1 | 11,10 0.437 | 9,80 0.386 | 6,00 0.236 | 1,07 0.042 | 1,05 0.041 | 44,70 1.760 | 0.5 mm ² 0.6 mm ² |
| 4 | CIRB 4 TKPK F80 P1 001 | 11,10 0.437 | 9,80 0.386 | 6,50 0.256 | 1,30 0.051 | 1,30 0.051 | 44,70 1.760 | 0.75 mm ² 1.0 mm ² |

Socket Contact

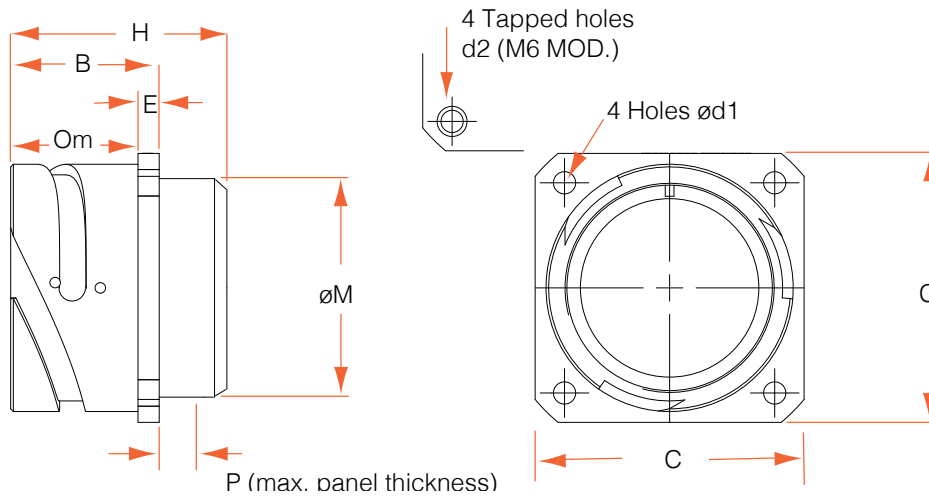


Metric
Imperial

*** Important Note.**
Consult TE for suitable contact arrangement details.

| Contact Size AWG* | Part Number | A | B | C | D | E | L | Use With Conductors |
|----------------------|------------------------|-----------------------|----------------------|----------------------|----------------------|----------------------|-----------------------|---------------------------------------------|
| 4 | CIRB 4 TSKK F80 P1 | 11,10 0.437 | 9,80 0.386 | 6,00 0.236 | 1,07 0.042 | 1,05 0.041 | 43,05 1.695 | 0.5 mm ² 0.6 mm ² |
| 4 | CIRB 4 TSKK F80 P1 001 | 11,10 0.437 | 9,80 0.386 | 6,50 0.256 | 1,30 0.051 | 1,30 0.051 | 43,05 1.695 | 0.75 mm ² 1.0 mm ² |

**SQUARE FLANGE RECEPTACLE
FRONT MOUNTING (NO ACCESSORY THREAD)
STYLE: CIRH00A/CIRH00A...M6**

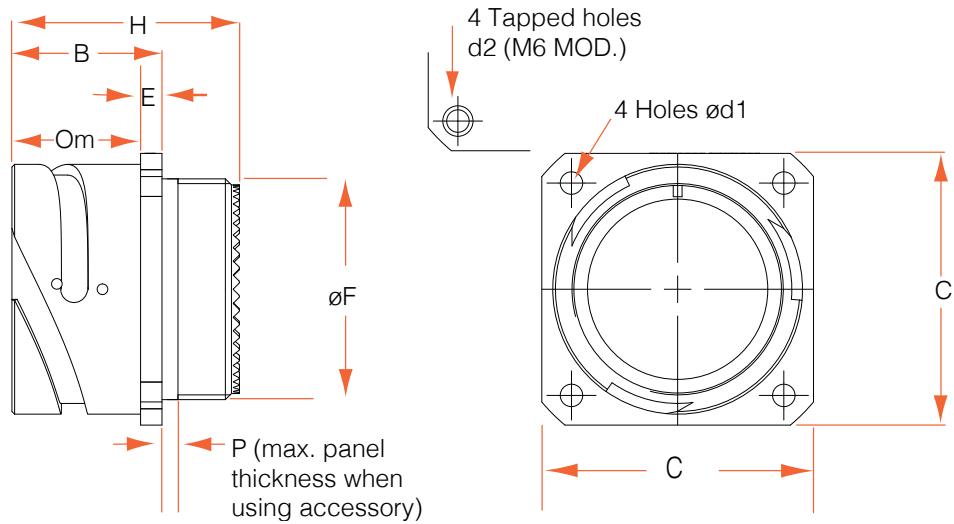


Metric
Imperial

See page 90 for panel mounting details.

| Shell Size | B Max | C Max | d1 +0,2 -0 +0.008-0 | d2 Thread | E Max | M Max | H Max | Om Min Overlap Mated |
|------------|-----------------------|-----------------------|---------------------------|---------------------|----------------------|-----------------------|-----------------------|----------------------------|
| 10SL | 17,60 0.693 | 25,70 1.012 | 3,20 0.126 | M4 0,7-6H | 3,00 0.118 | 16,10 0.634 | 25,00 0.98 | 11,10 0.437 |
| 14S | 18,00 0.709 | 30,30 1.193 | 3,20 0.126 | M4 0,7-6H | 3,40 0.134 | 19,20 0.756 | 25,00 0.98 | 11,10 0.437 |
| 16S | 18,00 0.709 | 32,80 1.291 | 3,20 0.126 | M4 0,7-6H | 3,40 0.134 | 22,40 0.882 | 25,00 0.98 | 11,10 0.437 |
| 16 | 22,80 0.898 | 32,80 1.291 | 3,20 0.126 | M4 0,7-6H | 3,40 0.134 | 22,40 0.882 | 32,85 1.293 | 15,85 0.624 |
| 18 | 23,60 0.929 | 35,30 1.390 | 3,20 0.126 | M4 0,7-6H | 4,20 0.165 | 25,60 1.008 | 32,85 1.293 | 15,85 0.624 |
| 20 | 23,60 0.929 | 38,30 1.508 | 3,20 0.126 | M4 0,7-6H | 4,20 0.165 | 29,00 1.142 | 32,85 1.293 | 15,85 0.624 |
| 22 | 23,60 0.929 | 41,30 1.626 | 3,20 0.126 | M4 0,7-6H | 4,20 0.165 | 31,90 1.256 | 32,85 1.293 | 15,75 0.620 |
| 24 | 25,20 0.992 | 44,80 1.764 | 3,70 0.146 | M4 0,7-6H | 4,20 0.165 | 35,00 1.378 | 32,85 1.293 | 15,75 0.620 |
| 28 | 25,20 0.992 | 51,10 2.012 | 3,70 0.146 | M5 0,8-6H | 4,20 0.165 | 41,40 1.630 | 32,85 1.293 | 15,75 0.620 |
| 32 | 26,80 1.055 | 57,30 2.256 | 4,30 0.169 | M5 0,8-6H | 4,20 0.165 | 47,80 1.882 | 32,85 1.293 | 15,75 0.620 |
| 36 | 26,80 1.055 | 63,80 2.512 | 4,30 0.169 | M5 0,8-6H | 4,20 0.165 | 52,60 2.071 | 32,85 1.293 | 15,75 0.620 |
| 40 | 26,80 1.055 | 70,20 2.764 | 4,30 0.169 | M5 0,8-6H | 4,20 0.165 | 59,00 2.323 | 32,85 1.293 | 15,75 0.620 |

**SQUARE FLANGE RECEPTACLE
FRONT MOUNTING
STYLE: CIRHOOT/CIRHOOT...M6**

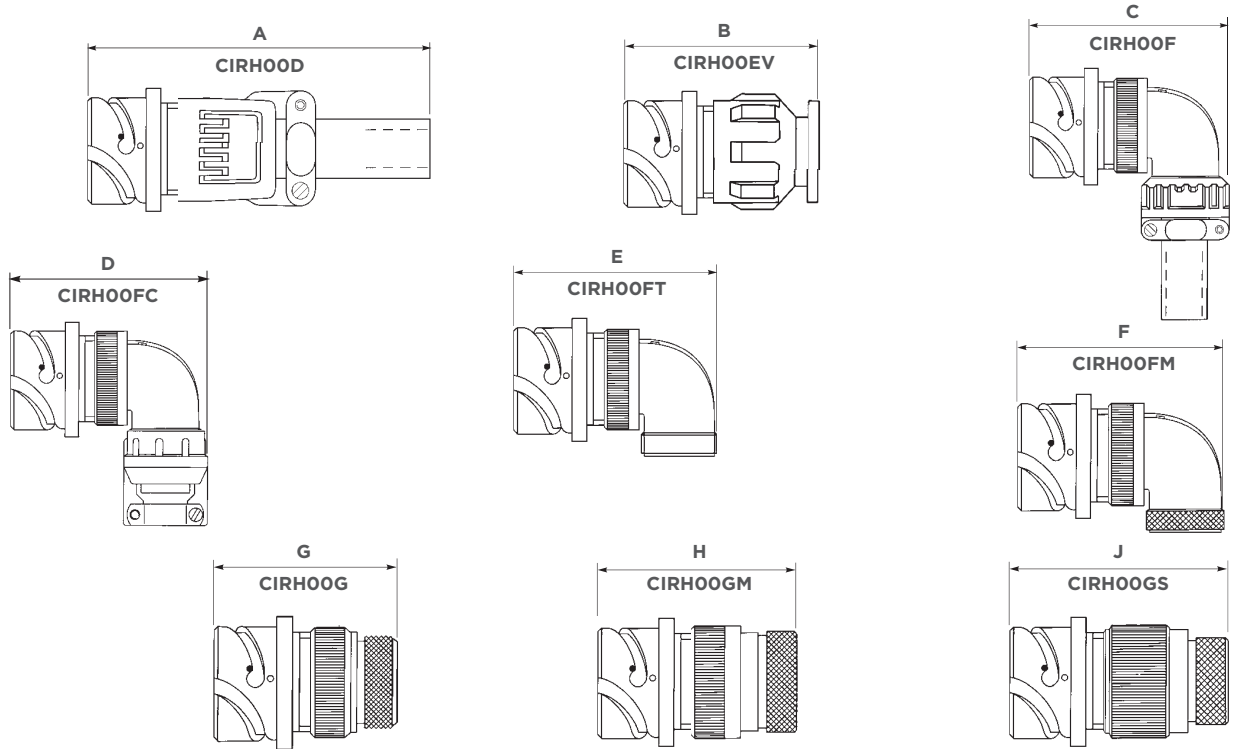


Metric
Imperial

See page 90 for panel mounting details.

| Shell Size | B Max | C Max | d1 +0,2 -0 +0.008-0 | d2 Thread | E Max | F Thread Dia. Class 2A | H Max | P | Om Min Overlap Mated |
|------------|-----------------------|-----------------------|---------------------------|---------------------|----------------------|------------------------------|-----------------------|----------------------|----------------------------|
| 10SL | 17,60 0.693 | 25,70 1.012 | 3,20 0.126 | M4 0,7-6H | 3,00 0.118 | 5/8" x 24 UNEF | 28,78 1.133 | 3,30 0.130 | 11,10 0.437 |
| 14S | 18,00 0.709 | 30,30 1.193 | 3,20 0.126 | M4 0,7-6H | 3,40 0.134 | 3/4" x 20 UNEF | 28,78 1.133 | 3,30 0.130 | 11,10 0.437 |
| 16S | 18,00 0.709 | 32,80 1.291 | 3,20 0.126 | M4 0,7-6H | 3,40 0.134 | 7/8" x 20 UNEF | 28,78 1.133 | 3,30 0.130 | 11,10 0.437 |
| 16 | 22,80 0.898 | 32,80 1.291 | 3,20 0.126 | M4 0,7-6H | 3,40 0.134 | 7/8" x 20 UNEF | 36,30 1.429 | 3,30 0.130 | 15,85 0.624 |
| 18 | 23,60 0.929 | 35,30 1.390 | 3,20 0.126 | M4 0,7-6H | 4,20 0.165 | 1" x 20 UNEF | 36,30 1.429 | 3,30 0.130 | 15,85 0.624 |
| 20 | 23,60 0.929 | 38,30 1.508 | 3,20 0.126 | M4 0,7-6H | 4,20 0.165 | 1 1/8" x 18 UNEF | 36,30 1.429 | 3,30 0.130 | 15,85 0.624 |
| 22 | 23,60 0.929 | 41,30 1.626 | 3,20 0.126 | M4 0,7-6H | 4,20 0.165 | 1 1/4" x 18 UNEF | 36,30 1.429 | 3,30 0.130 | 15,75 0.620 |
| 24 | 25,20 0.992 | 44,80 1.764 | 3,70 0.146 | M4 0,7-6H | 4,20 0.165 | 1 3/8" x 18 UNEF | 36,30 1.429 | 3,30 0.130 | 15,75 0.620 |
| 28 | 25,20 0.992 | 51,10 2.012 | 3,70 0.146 | M5 0,8-6H | 4,20 0.165 | 1 5/8" x 18 UNEF | 36,30 1.429 | 3,30 0.130 | 15,75 0.620 |
| 32 | 26,80 1.055 | 57,30 2.256 | 4,30 0.169 | M5 0,8-6H | 4,20 0.165 | 1 7/8" x 16 UN | 36,30 1.429 | 3,30 0.130 | 15,75 0.620 |
| 36 | 26,80 1.055 | 63,80 2.512 | 4,30 0.169 | M5 0,8-6H | 4,20 0.165 | 2 1/16" x 16 UNS | 36,30 1.429 | 3,30 0.130 | 15,75 0.620 |
| 40 | 26,80 1.055 | 70,20 2.764 | 4,30 0.169 | M5 0,8-6H | 4,20 0.165 | 2 5/16" x 16 UN | 36,30 1.429 | 3,30 0.130 | 15,75 0.620 |

CIRH '00' STYLE CONNECTOR & ACCESSORY

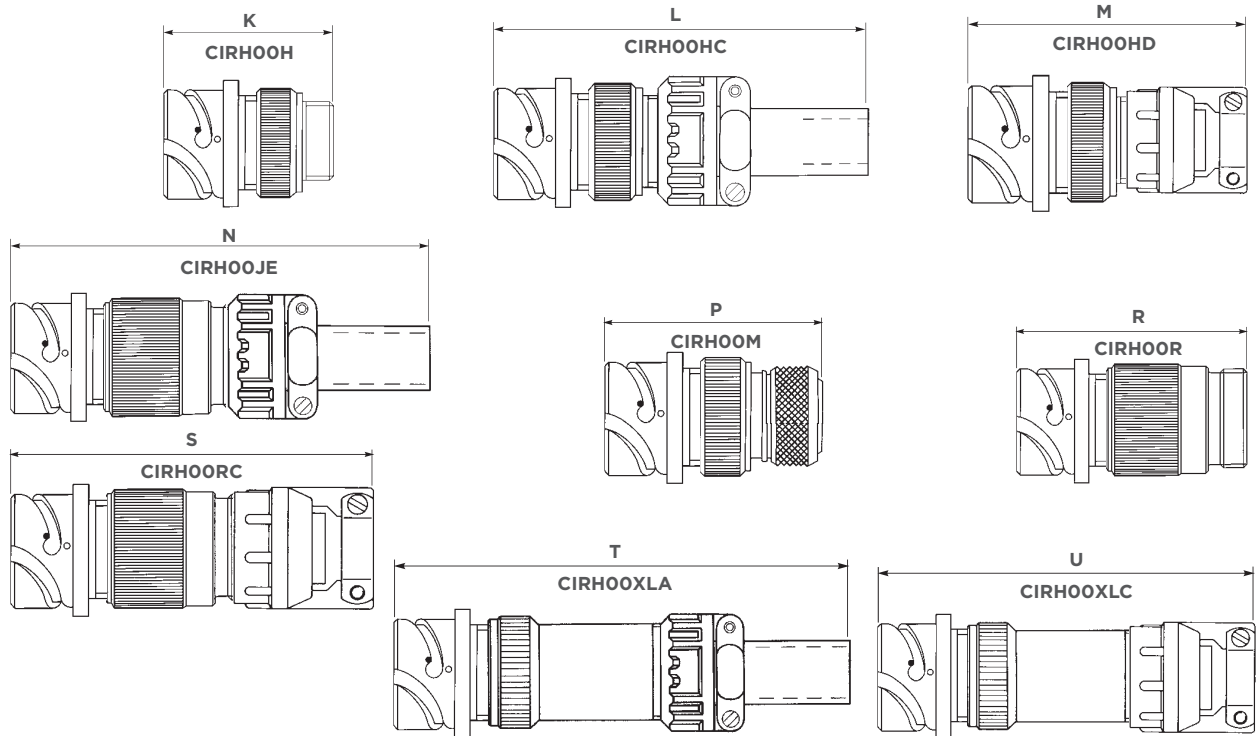


Metric
Imperial

| Shell Size | A | B | C | D | E | F | G | H | J |
|------------|-----------------|----------------|-----------------|-----------------|-----------------|-----------------|----------------|----------------|----------------|
| 10SL | 109,00 4.291 | 44,00 1.732 | 57,00 2.244 | 58,00 2.283 | 54,00 2.126 | 54,00 2.126 | 49,00 1.929 | 53,00 2.087 | * |
| 14S | 107,00 4.213 | 44,00 1.732 | 61,00 2.402 | 60,00 2.362 | 56,00 2.205 | 56,00 2.205 | 49,00 1.929 | 53,00 2.087 | * |
| 16S | 104,00 4.094 | 44,00 1.732 | 64,00 2.520 | 64,00 2.520 | 60,00 2.362 | 60,00 2.362 | 49,00 1.929 | 53,00 2.087 | * |
| 16 | 111,00 4.370 | 54,00 2.126 | 71,00 2.795 | 71,00 2.795 | 67,00 2.638 | 67,00 2.638 | 57,00 2.244 | 65,00 2.559 | * |
| 18 | 115,00 4.528 | 54,00 2.126 | 76,00 2.992 | 76,00 2.992 | 72,00 2.835 | 72,00 2.835 | 59,00 2.323 | 65,00 2.559 | 74,00 2.913 |
| 20 | 114,00 4.488 | 54,00 2.126 | 81,00 3.189 | 82,00 3.228 | 77,00 3.031 | 77,00 3.031 | 60,00 2.362 | 68,00 2.677 | 80,00 3.150 |
| 22 | 114,00 4.488 | 54,00 2.126 | 81,00 2.189 | 82,00 3.228 | 77,00 3.031 | 77,00 3.031 | 63,00 2.480 | 68,00 2.677 | 80,00 3.150 |
| 24 | 109,00 4.291 | 54,00 2.126 | 89,00 3.504 | 89,00 3.504 | 85,00 3.346 | 85,00 3.346 | 60,00 2.362 | 68,00 2.677 | 80,00 3.150 |
| 28 | 119,00 4.685 | 54,00 2.126 | 88,00 3.465 | 89,00 3.504 | 85,00 3.346 | 85,00 3.346 | 63,00 2.480 | 67,00 2.638 | 81,00 3.189 |
| 32 | 115,00 4.528 | 54,00 2.126 | 98,00 3.858 | 101,00 3.976 | 95,00 3.740 | 95,00 3.740 | 61,00 2.402 | 67,00 2.638 | 80,00 3.189 |
| 36 | 112,00 4.409 | 54,00 2.126 | 104,00 4.094 | 105,00 4.134 | 101,00 3.976 | 101,00 3.976 | 67,00 2.638 | 68,00 2.677 | 80,00 3.189 |
| 40 | N/A | 54,00 2.126 | 111,00 4.370 | 112,00 4.409 | 107,00 4.213 | 107,00 4.213 | 68,00 2.677 | 68,00 2.677 | 80,00 3.189 |

* Please consult TE for availability.

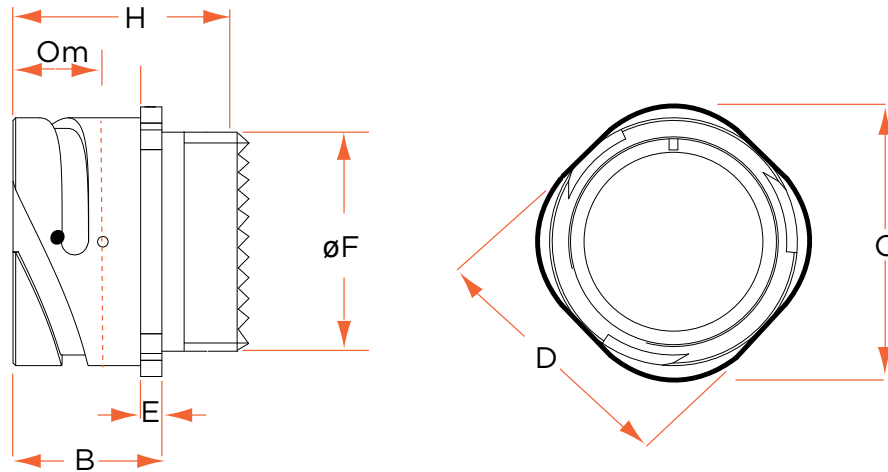
**CIRH '00' STYLE
CONNECTOR & ACCESSORY CONT.**



Metric
Imperial

| Shell Size | K | L | M | N | P | R | S | T | U |
|-------------|-----------------------|------------------------|------------------------|------------------------|-----------------------|-----------------------|------------------------|------------------------|------------------------|
| 10SL | 50,00 1.969 | 122,00 4.803 | 81,00 3.189 | 121,00 4.764 | 53,00 2.087 | 51,00 2.008 | 82,00 3.228 | 140,00 5.512 | 101,00 3.976 |
| 14S | 50,00 1.969 | 118,00 4.646 | 81,00 3.189 | 118,00 4.646 | 56,00 2.205 | 51,00 2.008 | 82,00 3.228 | 137,00 5.394 | 101,00 3.976 |
| 16S | 50,00 1.969 | 120,00 4.724 | 81,00 3.189 | 115,00 4.528 | 56,00 2.205 | 51,00 2.008 | 82,00 3.228 | 134,00 5.276 | 101,00 3.976 |
| 16 | 57,00 2.244 | 123,00 4.843 | 88,00 3.465 | 124,00 4.882 | 63,00 2.480 | 60,00 2.362 | 91,00 3.583 | 152,00 5.984 | 121,00 4.764 |
| 18 | 59,00 2.323 | 124,00 4.882 | 92,00 3.622 | 126,00 4.961 | 66,00 2.598 | 66,00 2.598 | 99,00 3.898 | 148,00 5.827 | 121,00 4.764 |
| 20 | 59,00 2.323 | 120,00 4.724 | 92,00 3.622 | 123,00 4.843 | 66,00 2.598 | 66,00 2.598 | 99,00 3.898 | 145,00 5.709 | 121,00 4.764 |
| 22 | 59,00 2.323 | 120,00 4.724 | 92,00 3.622 | 123,00 4.843 | 66,00 2.598 | 66,00 2.598 | 99,00 3.898 | 145,00 5.709 | 121,00 4.764 |
| 24 | 59,00 2.323 | 107,00 4.213 | 95,00 3.740 | 123,00 4.843 | 66,00 2.598 | 69,00 2.716 | 105,00 4.134 | 142,00 5.591 | 124,00 4.882 |
| 28 | 59,00 2.323 | 107,00 4.213 | 95,00 3.740 | 124,00 4.882 | 65,00 2.559 | 70,00 2.756 | 106,00 4.173 | 149,00 5.866 | 131,00 5.157 |
| 32 | 58,00 2.283 | 106,00 4.173 | 100,00 3.937 | 120,00 4.724 | 65,00 2.559 | 69,00 2.716 | 111,00 4.370 | 146,00 5.748 | 137,00 5.394 |
| 36 | 58,00 2.283 | 106,00 4.173 | 107,00 4.213 | 117,00 4.606 | 65,00 2.559 | 69,00 2.716 | 117,00 4.606 | 143,00 5.630 | 144,00 5.669 |
| 40 | 58,00 2.283 | 103,00 4.055 | 107,00 4.213 | 114,00 4.488 | 65,00 2.559 | 70,00 2.756 | 112,00 4.409 | 140,00 5.512 | 144,00 5.669 |

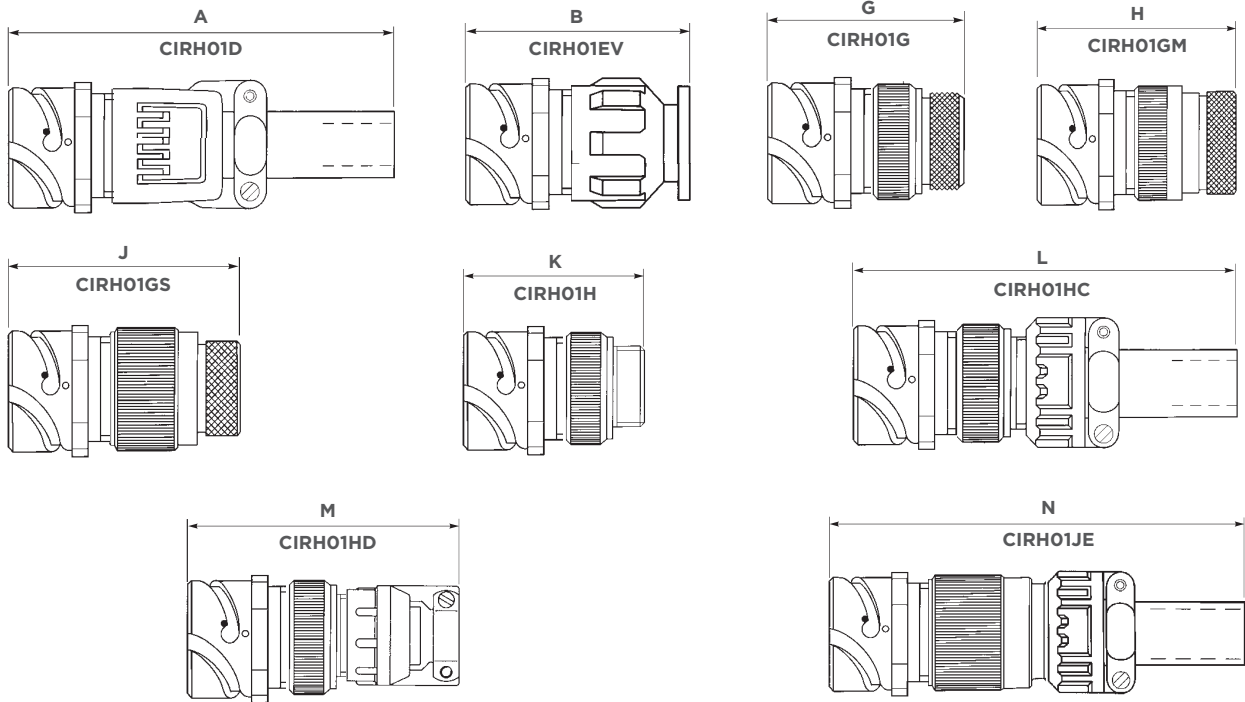
**CABLE MOUNTED RECEPTACLE
STYLE: CIRH01T**



Metric
Imperial

| Shell Size | B Max | C Max | D Max | E Max | F Thread Dia. Class 2A | H Max | Om Min Overlap Mated |
|------------|-----------------------|-----------------------|-----------------------|----------------------|------------------------|-----------------------|-----------------------|
| 10SL | 17,60 0.693 | 25,20 0.992 | 20,80 0.819 | 3,00 0.118 | 5/8" x 24 UNEF | 28,78 1.133 | 11,10 0.437 |
| 14S | 18,00 0.709 | 29,80 1.173 | 25,60 1.008 | 3,40 0.134 | 3/4" x 20 UNEF | 28,78 1.133 | 11,10 0.437 |
| 16S | 18,00 0.709 | 32,30 1.272 | 28,80 1.134 | 3,40 0.134 | 7/8" x 20 UNEF | 28,78 1.133 | 11,10 0.437 |
| 16 | 22,80 0.898 | 32,30 1.272 | 28,80 1.134 | 3,40 0.134 | 7/8" x 20 UNEF | 36,30 1.429 | 15,85 0.624 |
| 18 | 23,60 0.929 | 34,80 1.370 | 31,90 1.256 | 4,20 0.165 | 1" x 20 UNEF | 36,30 1.429 | 15,85 0.624 |
| 20 | 23,60 0.929 | 37,80 1.488 | 35,10 1.382 | 4,20 0.165 | 1 1/8" x 18 UNEF | 36,30 1.429 | 15,85 0.624 |
| 22 | 23,60 0.929 | 41,10 1.618 | 38,30 1.508 | 4,20 0.165 | 1 1/4" x 18 UNEF | 36,30 1.429 | 15,75 0.620 |
| 24 | 25,20 0.992 | 44,60 1.756 | 41,50 1.634 | 4,20 0.165 | 1 3/8" x 18 UNEF | 36,30 1.429 | 15,75 0.620 |
| 28 | 25,20 0.992 | 50,90 2.004 | 47,80 1.882 | 4,20 0.165 | 1 5/8" x 18 UNEF | 36,30 1.429 | 15,75 0.620 |
| 32 | 26,80 1.055 | 57,10 2.248 | 54,20 2.134 | 4,20 0.165 | 1 7/8" x 16 UN | 36,30 1.429 | 15,75 0.620 |
| 36 | 26,80 1.055 | 63,80 2.512 | 60,80 2.394 | 4,20 0.165 | 2 1/16" x 16 UNS | 36,30 1.429 | 15,75 0.620 |
| 40 | 26,80 1.055 | 70,00 2.756 | 66,70 2.626 | 4,20 0.165 | 2 5/16" x 16 UN | 36,30 1.429 | 15,75 0.620 |

CIRH '01' STYLE CONNECTOR & ACCESSORY

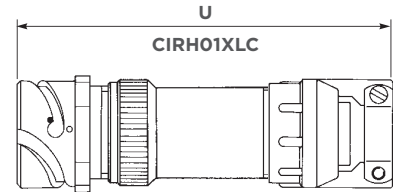
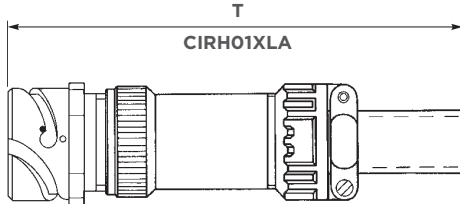
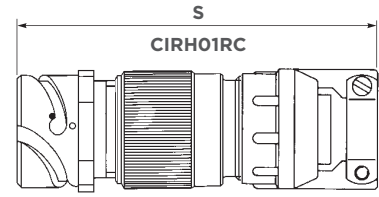
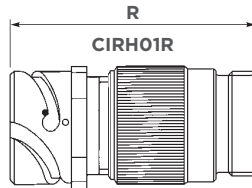
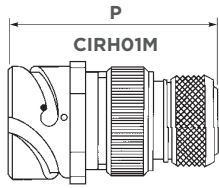


Metric
Imperial

| Shell Size | A | B | G | H | J | K | L | M | N |
|------------|------------------------|-----------------------|-----------------------|-----------------------|-----------------------|-----------------------|------------------------|------------------------|------------------------|
| 10SL | 109,00 4.291 | 44,00 1.732 | 49,00 1.929 | 53,00 2.087 | * | 50,00 1.696 | 122,00 4.803 | 81,00 3.189 | 121,00 4.764 |
| 14S | 107,00 4.213 | 44,00 1.732 | 49,00 1.929 | 53,00 2.087 | * | 50,00 1.969 | 118,00 4.646 | 81,00 3.189 | 118,00 4.646 |
| 16S | 104,00 4.094 | 44,00 1.732 | 49,00 1.929 | 53,00 2.087 | * | 50,00 1.969 | 120,00 4.724 | 81,00 3.189 | 115,00 4.528 |
| 16 | 111,00 4.370 | 54,00 2.126 | 57,00 2.244 | 65,00 2.559 | * | 57,00 2.244 | 123,00 4.843 | 88,00 3.465 | 124,00 4.882 |
| 18 | 115,00 4.528 | 54,00 2.126 | 59,00 2.323 | 65,00 2.559 | 74,00 2.913 | 59,00 2.323 | 124,00 4.882 | 92,00 3.622 | 126,00 4.961 |
| 20 | 114,00 4.488 | 54,00 2.126 | 60,00 2.362 | 68,00 2.677 | 80,00 3.150 | 59,00 2.323 | 120,00 4.724 | 92,00 3.622 | 123,00 4.843 |
| 22 | 114,00 4.488 | 54,00 2.126 | 63,00 2.480 | 68,00 2.677 | 80,00 3.150 | 59,00 2.323 | 120,00 4.724 | 92,00 3.622 | 123,00 4.843 |
| 24 | 109,00 4.291 | 54,00 2.126 | 60,00 2.362 | 68,00 2.677 | 80,00 3.150 | 59,00 2.323 | 107,00 4.213 | 95,00 3.740 | 123,00 4.843 |
| 28 | 119,00 4.685 | 54,00 2.126 | 63,00 2.480 | 67,00 2.638 | 81,00 3.189 | 59,00 2.323 | 107,00 4.213 | 95,00 3.740 | 124,00 4.882 |
| 32 | 115,00 4.528 | 54,00 2.126 | 61,00 2.402 | 67,00 2.638 | 80,00 3.189 | 58,00 2.283 | 106,00 4.173 | 100,00 3.937 | 120,00 4.724 |
| 36 | 112,00 4.409 | 54,00 2.126 | 67,00 2.638 | 68,00 2.677 | 80,00 3.189 | 58,00 2.283 | 106,00 4.173 | 107,00 4.213 | 117,00 4.606 |
| 40 | N/A | 54,00 2.126 | 68,00 2.677 | 68,00 2.677 | 80,00 3.189 | 58,00 2.283 | 103,00 4.055 | 107,00 4.213 | 114,00 4.488 |

* Please consult TE for availability.

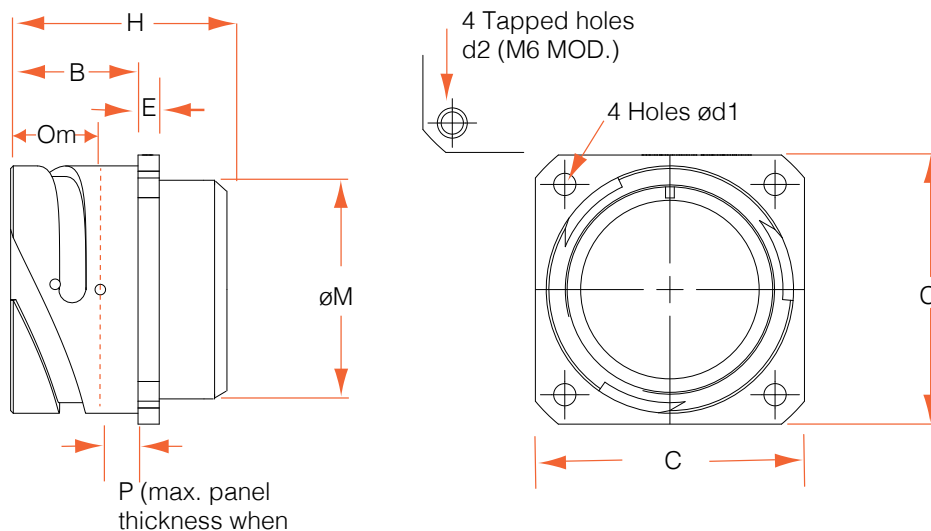
CIRH '01' STYLE CONNECTOR & ACCESSORY CONT.



Metric
Imperial

| Shell Size | P | R | S | T | U |
|------------|----------------|----------------|-----------------|-----------------|-----------------|
| 10SL | 53,00 2.087 | 51,00 2.008 | 82,00 3.228 | 140,00 5.512 | 101,00 3.976 |
| 14S | 56,00 2.205 | 51,00 2.008 | 82,00 3.228 | 137,00 5.394 | 101,00 3.976 |
| 16S | 56,00 2.205 | 51,00 2.008 | 82,00 3.228 | 134,00 5.276 | 101,00 3.976 |
| 16 | 56,00 2.205 | 60,00 2.362 | 91,00 3.583 | 152,00 5.984 | 121,00 4.764 |
| 18 | 63,00 2.480 | 66,00 2.598 | 99,00 3.898 | 148,00 5.827 | 121,00 4.764 |
| 20 | 66,00 2.598 | 66,00 2.598 | 99,00 3.898 | 145,00 5.709 | 121,00 4.764 |
| 22 | 66,00 2.598 | 66,00 2.598 | 99,00 3.898 | 145,00 5.709 | 121,00 4.764 |
| 24 | 66,00 2.598 | 69,00 2.716 | 105,00 4.134 | 142,00 5.591 | 124,00 4.882 |
| 28 | 66,00 2.598 | 70,00 2.756 | 106,00 4.173 | 149,00 5.866 | 131,00 5.157 |
| 32 | 66,00 2.598 | 69,00 2.716 | 111,00 4.370 | 146,00 5.748 | 137,00 5.394 |
| 36 | 66,00 2.598 | 69,00 2.716 | 117,00 4.606 | 143,00 5.630 | 144,00 5.669 |
| 40 | 66,00 2.598 | 70,00 2.756 | 112,00 4.409 | 140,00 5.512 | 144,00 5.669 |

**SQUARE FLANGE RECEPTACLE
REAR MOUNTING (NO ACCESSORY THREAD)
STYLE: CIRH03A/CIRH03A...M6**



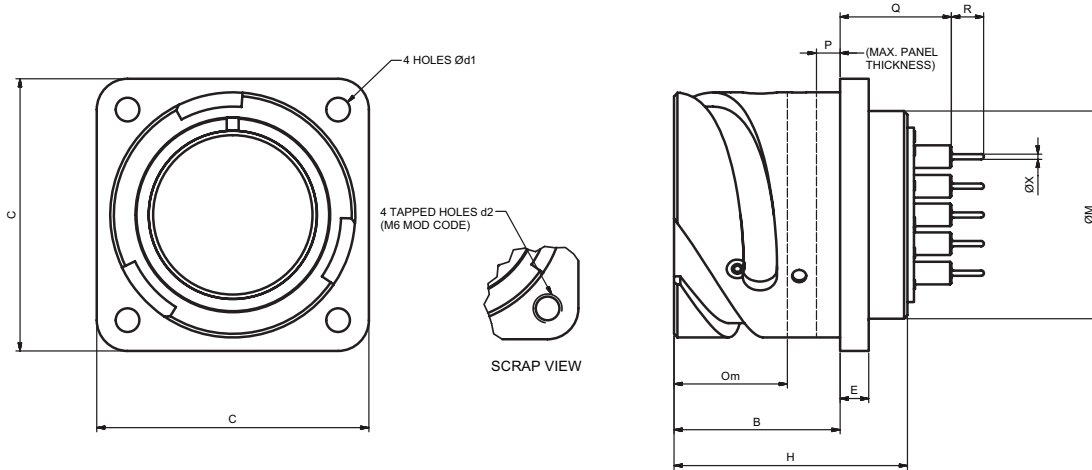
Metric
Imperial

Note: Maximum panel thickness when using cap head screws.
When using countersunk screws, maximum panel thickness = 7.5 mm.

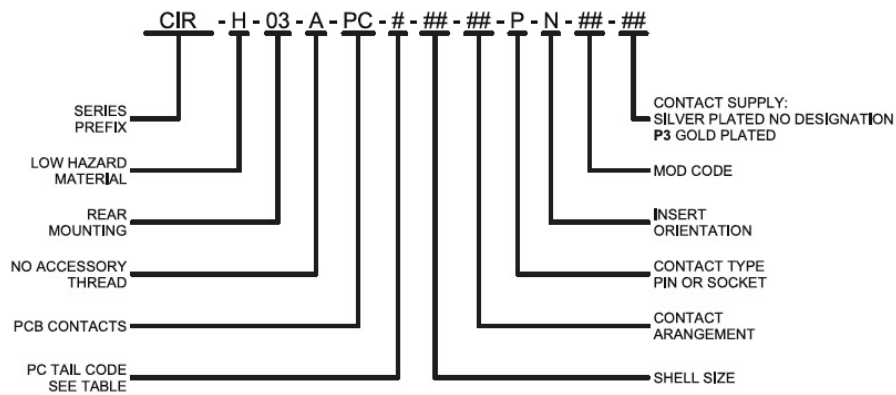
See page 90 for panel mounting details.

| Shell Size | B Max | C Max | d1 +0,2 -0 +0.008-0 | d2 Thread | E Max | M Max | H Max | P See Note | Om Min Overlap Mated |
|------------|-----------------------|-----------------------|---------------------------|--------------|----------------------|-----------------------|----------------------|----------------------|-----------------------|
| 10SL | 18,60 0.732 | 25,70 1.012 | 3,20 0.126 | M4 0,7-6H | 3,00 0.118 | 16,10 0.634 | 25,00 0.99 | 3,30 0.130 | 11,10 0.437 |
| 14S | 18,60 0.732 | 30,30 1.193 | 3,20 0.126 | M4 0,7-6H | 3,40 0.134 | 19,20 0.756 | 25,00 0.99 | 3,30 0.130 | 11,10 0.437 |
| 16S | 18,60 0.732 | 32,80 1.291 | 3,20 0.126 | M4 0,7-6H | 3,40 0.134 | 22,40 0.882 | 25,00 0.99 | 3,30 0.130 | 11,10 0.437 |
| 16 | 21,90 0.862 | 32,80 1.291 | 3,20 0.126 | M4 0,7-6H | 3,40 0.134 | 22,40 0.882 | 32,70 1.28 | 3,30 0.130 | 15,85 0.624 |
| 18 | 23,45 0.923 | 35,30 1.390 | 3,20 0.126 | M4 0,7-6H | 4,20 0.165 | 25,60 1.008 | 32,70 1.28 | 3,30 0.130 | 15,85 0.624 |
| 20 | 23,45 0.923 | 38,30 1.508 | 3,20 0.126 | M4 0,7-6H | 4,20 0.165 | 29,00 1.142 | 33,40 1.32 | 3,30 0.130 | 15,85 0.624 |
| 22 | 23,45 0.923 | 41,30 1.626 | 3,20 0.126 | M4 0,7-6H | 4,20 0.165 | 31,90 1.250 | 33,40 1.32 | 3,30 0.130 | 15,75 0.620 |
| 24 | 23,45 0.923 | 44,80 1.764 | 3,70 0.146 | M4 0,7-6H | 4,20 0.165 | 35,00 1.380 | 32,75 1.29 | 3,30 0.130 | 15,75 0.620 |
| 28 | 24,45 0.963 | 51,10 2.012 | 3,70 0.146 | M5 0,8-6H | 4,20 0.165 | 41,40 1.630 | 35,80 1.41 | 3,30 0.130 | 15,75 0.620 |
| 32 | 24,45 0.963 | 57,30 2.256 | 4,30 0.169 | M5 0,8-6H | 4,20 0.165 | 47,80 1.882 | 36,80 1.45 | 3,30 0.130 | 15,75 0.620 |
| 36 | 24,45 0.963 | 63,80 2.512 | 4,30 0.169 | M5 0,8-6H | 4,20 0.165 | 52,60 2.071 | 36,80 1.45 | 3,30 0.130 | 15,75 0.620 |
| 40 | 24,45 0.963 | 70,20 2.764 | 4,30 0.169 | M5 0,8-6H | 4,20 0.165 | 59,00 2.323 | 36,80 1.45 | 3,30 0.130 | 15,75 0.620 |

**SQUARE FLANGE RECEPTACLE WITH PCB CONTACTS
REAR MOUNTING (NO ACCESSORY THREAD)
STYLE: CIRH03APC#/CIRH03APC#...M6**



PART NUMBER BREAKDOWN



Metric
Imperial

Note: Maximum panel thickness when using cap head screws.
When using countersunk screws, maximum panel thickness = 7.5 mm.

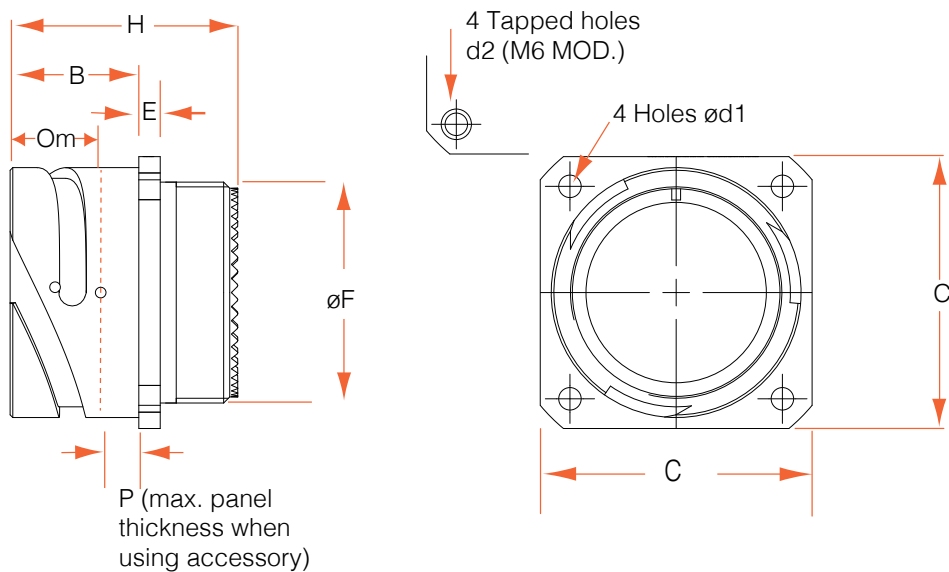
See page 90 for panel mounting details.

| Shell Size | B Max | C Max | d1 +0,2 -0 +0.008-0 | d2 Thread | E Max | M Max | H Max | P See Note | Om Min Overlap Mated |
|-------------|-----------------------|-----------------------|---------------------------|---------------------|----------------------|-----------------------|-----------------------|----------------------|----------------------------|
| 10SL | 18,60 0.732 | 25,70 1.012 | 3,20 0.126 | M4 0,7-6H | 3,00 0.118 | 16,10 0.634 | 25,00 0.990 | 3,30 0.130 | 11,10 0.437 |
| 14S | 18,60 0.732 | 30,30 1.193 | 3,20 0.126 | M4 0,7-6H | 3,40 0.134 | 19,20 0.756 | 25,00 0.990 | 3,30 0.130 | 11,10 0.437 |
| 16S | 18,60 0.732 | 32,80 1.291 | 3,20 0.126 | M4 0,7-6H | 3,40 0.134 | 22,40 0.882 | 25,00 0.990 | 3,30 0.130 | 11,10 0.437 |
| 16 | 21,90 0.862 | 32,80 1.291 | 3,20 0.126 | M4 0,7-6H | 3,40 0.134 | 22,40 0.882 | 32,70 1.280 | 3,30 0.130 | 15,85 0.624 |
| 18 | 23,45 0.923 | 35,30 1.390 | 3,20 0.126 | M4 0,7-6H | 4,20 0.165 | 25,60 1.008 | 32,70 1.280 | 3,30 0.130 | 15,85 0.624 |
| 20 | 23,45 0.923 | 38,30 1.508 | 3,20 0.126 | M4 0,7-6H | 4,20 0.165 | 29,00 1.142 | 33,40 1.320 | 3,30 0.130 | 15,85 0.624 |
| 22 | 23,45 0.923 | 41,30 1.626 | 3,20 0.126 | M4 0,7-6H | 4,20 0.165 | 31,90 1.250 | 33,40 1.320 | 3,30 0.130 | 15,75 0.620 |
| 24 | 23,45 0.923 | 44,80 1.764 | 3,70 0.146 | M4 0,7-6H | 4,20 0.165 | 35,00 1.380 | 32,75 1.290 | 3,30 0.130 | 15,75 0.620 |
| 28 | 24,45 0.963 | 51,10 2.012 | 3,70 0.146 | M5 0,8-6H | 4,20 0.165 | 41,40 1.630 | 35,80 1.410 | 3,30 0.130 | 15,75 0.620 |
| 32 | 24,45 0.963 | 57,30 2.256 | 4,30 0.169 | M5 0,8-6H | 4,20 0.165 | 37,0 1.46 | 36,80 1.450 | 3,30 0.130 | 15,75 0.620 |
| 36 | 24,45 0.963 | 63,80 2.512 | 4,30 0.169 | M5 0,8-6H | 4,20 0.165 | 37,0 1.46 | 36,80 1.450 | 3,30 0.130 | 15,75 0.620 |
| 40 | 24,45 0.963 | 70,20 2.764 | 4,30 0.169 | M5 0,8-6H | 4,20 0.165 | 38,0 1.50 | 36,80 1.450 | 3,30 0.130 | 15,75 0.620 |

| PC TAIL CODE TABLE | | | |
|--------------------|-----------------------|----------------------|----------------------|
| PC CODE | Q ±0.88 | R ±0.10 | ØX Max |
| A | 25,00 0.984 | 5,00 0.197 | 0,75 0.030 |
| C | 12,70 0.500 | 7,00 0.276 | 0,75 0.030 |
| F* | 15,00 0.591 | 4,50 0.177 | 0,75 0.030 |

- *1) Use PC code F for standard tail length.
- *2) Other PC tails available - please add detail to chart above and consult TE

**SQUARE FLANGE RECEPTACLE
REAR MOUNTING (WITH ACCESSORY THREAD)
STYLE: CIRH03T/CIRH03T...M6**



Metric
Imperial

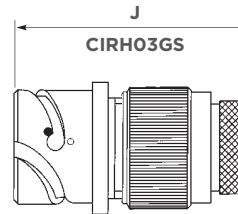
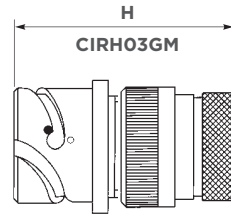
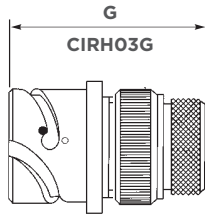
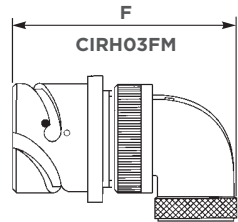
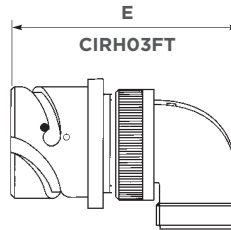
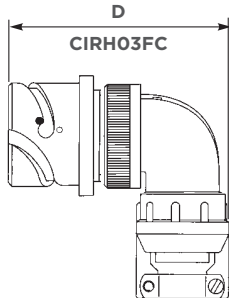
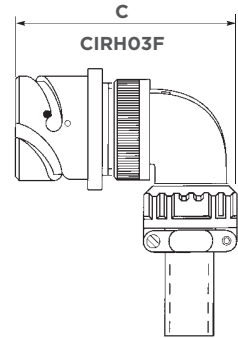
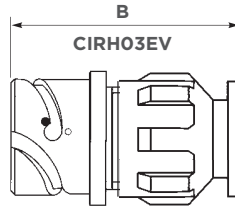
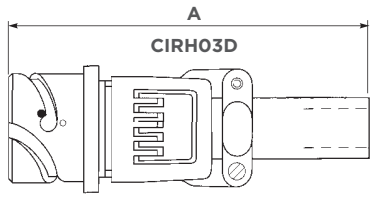
Note: Maximum panel thickness when using cap head screws.

When using countersunk screws, maximum panel thickness = 7.5 mm.

See page 90 for panel mounting details.

| Shell Size | B Max | C Max | d1 +0,2 -0 +0.008-0 | d2 Thread | E Max | F Thread Dia. Class 2A | H Max | P See Note | Om Min Overlap Mated |
|------------|-----------------------|-----------------------|---------------------------|---------------------|----------------------|-------------------------------|---------------------|----------------------|----------------------------|
| 10SL | 18,60 0.732 | 25,70 1.012 | 3,20 0.126 | M4 0,7-6H | 3,00 0.118 | $\frac{5}{8}$ " x 24 UNEF | 30,0 1.19 | 3,30 0.130 | 11,10 0.437 |
| 14S | 18,60 0.732 | 30,30 1.193 | 3,20 0.126 | M4 0,7-6H | 3,40 0.134 | $\frac{3}{4}$ " x 20 UNEF | 30,0 1.19 | 3,30 0.130 | 11,10 0.437 |
| 16S | 18,60 0.732 | 32,80 1.291 | 3,20 0.126 | M4 0,7-6H | 3,40 0.134 | $\frac{7}{8}$ " x 20 UNEF | 30,0 1.19 | 3,30 0.130 | 11,10 0.437 |
| 16 | 21,90 0.862 | 32,80 1.291 | 3,20 0.126 | M4 0,7-6H | 3,40 0.134 | $\frac{7}{8}$ " x 20 UNEF | 37,0 1.46 | 3,30 0.130 | 15,85 0.624 |
| 18 | 23,45 0.923 | 35,30 1.390 | 3,20 0.126 | M4 0,7-6H | 4,20 0.165 | 1" x 20 UNEF | 37,0 1.46 | 3,30 0.130 | 15,85 0.624 |
| 20 | 23,45 0.923 | 38,30 1.508 | 3,20 0.126 | M4 0,7-6H | 4,20 0.165 | $1\frac{1}{8}$ " x 18 UNEF | 37,0 1.46 | 3,30 0.130 | 15,85 0.624 |
| 22 | 23,45 0.923 | 41,30 1.626 | 3,20 0.126 | M4 0,7-6H | 4,20 0.165 | $1\frac{1}{4}$ " x 18 UNEF | 37,0 1.46 | 3,30 0.130 | 15,75 0.620 |
| 24 | 23,45 0.923 | 44,80 1.764 | 3,70 0.146 | M4 0,7-6H | 4,20 0.165 | $1\frac{3}{8}$ " x 18 UNEF | 37,0 1.46 | 3,30 0.130 | 15,75 0.620 |
| 28 | 24,45 0.963 | 51,10 2.012 | 3,70 0.146 | M5 0,8-6H | 4,20 0.165 | $1\frac{5}{8}$ " x 18 UNEF | 37,0 1.46 | 3,30 0.130 | 15,75 0.620 |
| 32 | 24,45 0.963 | 57,30 2.256 | 4,30 0.169 | M5 0,8-6H | 4,20 0.165 | $1\frac{7}{8}$ " x 16 UN | 37,0 1.46 | 3,30 0.130 | 15,75 0.620 |
| 36 | 24,45 0.963 | 63,80 2.512 | 4,30 0.169 | M5 0,8-6H | 4,20 0.165 | $2\frac{1}{16}$ " x 16 UNS | 37,0 1.46 | 3,30 0.130 | 15,75 0.620 |
| 40 | 24,45 0.963 | 70,20 2.764 | 4,30 0.169 | M5 0,8-6H | 4,20 0.165 | $2\frac{5}{16}$ " x 16 UN | 38,0 1.50 | 3,30 0.130 | 15,75 0.620 |

CIRH '03' STYLE CONNECTOR & ACCESSORY

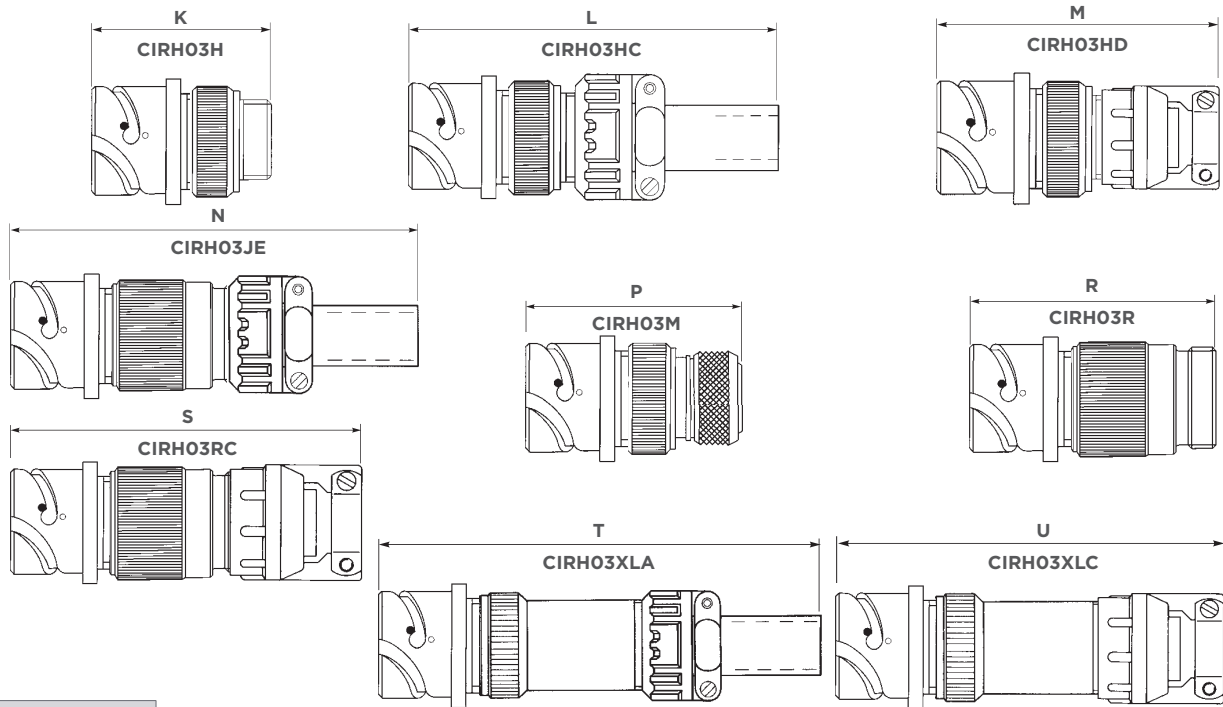


Metric
Imperial

| Shell Size | A | B | C | D | E | F | G | H | J |
|------------|-----------------|----------------|-----------------|-----------------|-----------------|-----------------|----------------|----------------|----------------|
| 10SL | 109,00 4.291 | 44,00 1.732 | 58,00 2.283 | 58,00 2.283 | 55,00 2.165 | 55,00 2.165 | 50,00 1.968 | 54,00 2.126 | * |
| 14S | 108,00 4.252 | 44,00 1.732 | 61,00 2.402 | 61,00 2.402 | 57,00 2.244 | 57,00 2.244 | 50,00 1.968 | 54,00 2.126 | * |
| 16S | 105,00 4.134 | 44,00 1.732 | 65,00 2.559 | 65,00 2.559 | 61,00 2.402 | 61,00 2.402 | 50,00 1.968 | 54,00 2.126 | * |
| 16 | 117,00 4.606 | 60,00 2.362 | 77,00 3.031 | 77,00 3.031 | 73,00 2.874 | 73,00 2.874 | 63,00 2.480 | 70,00 2.756 | * |
| 18 | 121,00 4.764 | 60,00 2.362 | 82,00 3.228 | 82,00 3.228 | 78,00 3.071 | 78,00 3.071 | 65,00 2.559 | 70,00 2.756 | 80,00 3.150 |
| 20 | 120,00 4.724 | 60,00 2.362 | 87,00 3.425 | 88,00 3.465 | 83,00 3.268 | 83,00 3.268 | 66,00 2.598 | 74,00 2.913 | 86,00 3.386 |
| 22 | 120,00 4.724 | 60,00 2.362 | 87,00 3.425 | 88,00 3.465 | 83,00 3.268 | 83,00 3.268 | 68,00 2.677 | 74,00 2.913 | 86,00 3.386 |
| 24 | 114,00 4.488 | 60,00 2.362 | 95,00 3.740 | 95,00 3.740 | 91,00 3.583 | 91,00 3.583 | 66,00 2.598 | 74,00 2.913 | 86,00 3.386 |
| 28 | 124,00 4.882 | 60,00 2.362 | 94,00 3.700 | 94,00 3.700 | 90,00 3.543 | 90,00 3.543 | 68,00 2.677 | 73,00 2.874 | 87,00 3.425 |
| 32 | 121,00 4.764 | 60,00 2.362 | 104,00 4.094 | 107,00 4.213 | 100,00 3.937 | 100,00 3.937 | 67,00 2.638 | 73,00 2.874 | 86,00 3.386 |
| 36 | 118,00 4.646 | 60,00 2.362 | 110,00 4.331 | 111,00 4.370 | 106,00 4.173 | 106,00 4.173 | 72,00 2.835 | 74,00 2.913 | 88,00 3.465 |
| 40 | NA | 60,00 2.362 | 117,00 4.606 | 117,00 4.606 | 113,00 4.449 | 113,00 4.449 | 74,00 2.913 | 74,00 2.913 | 88,00 3.465 |

* Please consult TE for availability.

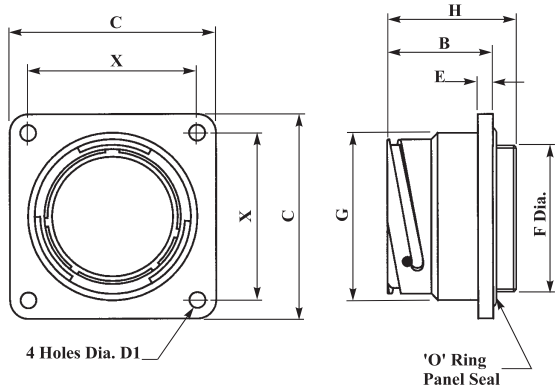
CIRH '03' STYLE CONNECTOR & ACCESSORY CONT.



Metric
Imperial

| Shell Size | K | L | M | N | P | R | S | T | U |
|------------|----------------|-----------------|-----------------|-----------------|----------------|----------------|-----------------|-----------------|-----------------|
| 10SL | 50,00 1.969 | 123,00 4.843 | 81,00 3.189 | 122,00 4.803 | 54,00 2.126 | 52,00 2.047 | 83,00 3.268 | 141,00 5.551 | 102,00 4.016 |
| 14S | 50,00 1.969 | 119,00 4.685 | 81,00 3.189 | 118,00 4.646 | 56,00 2.205 | 52,00 2.047 | 83,00 3.268 | 138,00 5.433 | 102,00 4.016 |
| 16S | 50,00 1.969 | 121,00 4.764 | 81,00 3.189 | 115,00 4.528 | 56,00 2.205 | 52,00 2.047 | 83,00 3.268 | 135,00 5.315 | 102,00 4.016 |
| 16 | 63,00 2.480 | 129,00 5.079 | 94,00 3.700 | 129,00 5.079 | 69,00 2.716 | 66,00 2.598 | 97,00 3.819 | 157,00 6.181 | 126,00 4.961 |
| 18 | 65,00 2.559 | 130,00 5.118 | 97,00 3.819 | 132,00 5.197 | 72,00 2.835 | 72,00 2.835 | 104,00 4.094 | 154,00 6.063 | 126,00 4.961 |
| 20 | 65,00 2.559 | 126,00 4.961 | 97,00 3.819 | 129,00 5.079 | 72,00 2.835 | 72,00 2.835 | 104,00 4.094 | 151,00 5.945 | 126,00 4.961 |
| 22 | 65,00 2.559 | 126,00 4.961 | 97,00 3.819 | 129,00 5.079 | 72,00 2.835 | 72,00 2.835 | 104,00 4.094 | 151,00 5.945 | 126,00 4.961 |
| 24 | 65,00 2.559 | 113,00 4.449 | 101,00 3.976 | 129,00 5.079 | 72,00 2.835 | 75,00 2.593 | 110,00 4.331 | 148,00 5.827 | 130,00 5.118 |
| 28 | 65,00 2.559 | 113,00 4.449 | 101,00 3.976 | 130,00 5.118 | 71,00 2.795 | 76,00 2.992 | 111,00 4.370 | 155,00 6.102 | 137,00 5.394 |
| 32 | 64,00 2.520 | 112,00 4.409 | 106,00 4.173 | 125,00 4.921 | 71,00 2.795 | 75,00 2.593 | 117,00 4.606 | 152,00 5.984 | 143,00 5.630 |
| 36 | 64,00 2.520 | 112,00 4.409 | 112,00 4.409 | 122,00 4.803 | 71,00 2.795 | 75,00 2.593 | 123,00 4.842 | 148,00 5.827 | 149,00 5.866 |
| 40 | 64,00 2.520 | 109,00 4.291 | 112,00 4.409 | 120,00 4.724 | 71,00 2.795 | 76,00 2.992 | 118,00 4.646 | 145,00 5.709 | 149,00 5.866 |

**SIZE 49 SQUARE FLANGE FRONT MOUNTING RECEPTACLE
NO ACCESSORY OR WITH GROMMET & GROMMET NUT
STYLES: CIRH04T OR CIRH04EV**

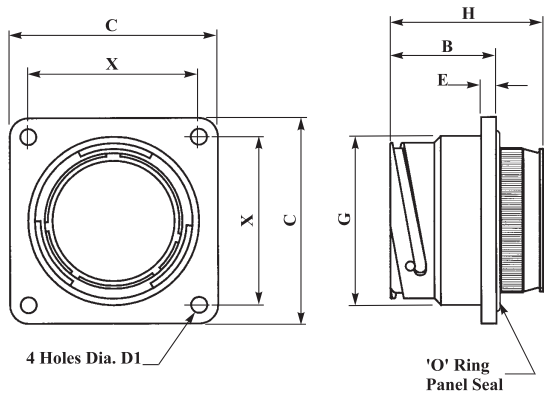


Metric
Imperial

CIRH04T

See page 90 for panel mounting details

| Shell Size | B | C | D1 +0,2 -0 +0.008-0 | E | F Thread Dia. Class 2A | G Dia. | H | X |
|------------|----------------|-----------------|---------------------------|---------------|------------------------------|----------------|----------------|----------------|
| 49 | 56,50 2.224 | 110,00 4.330 | 8,50 0.335 | 8,00 0.315 | 2 7/8" x 16 UN | 90,00 3.543 | 62,50 2.460 | 90,00 3.543 |



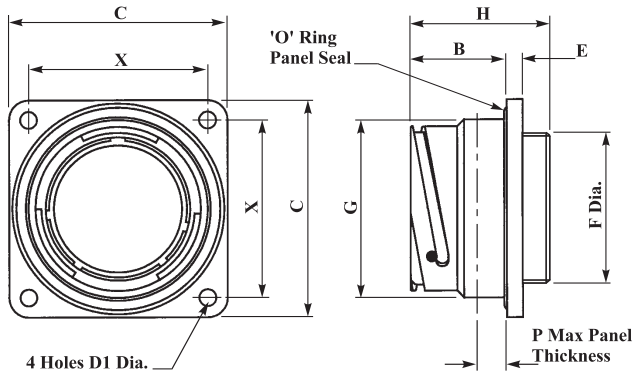
Metric
Imperial

CIRH04EV

See page 90 for panel mounting details

| Shell Size | B | C | D1 +0,2 -0 +0.008-0 | E | G Dia. | H | X |
|------------|----------------|-----------------|---------------------------|---------------|----------------|----------------|----------------|
| 49 | 56,50 2.224 | 110,00 4.330 | 8,50 0.335 | 8,00 0.315 | 90,00 3.543 | 81,50 3.209 | 90,00 3.543 |

**SIZE 49 SQUARE FLANGE REAR MOUNTING RECEPTACLE
NO ACCESSORY OR WITH GROMMET & GROMMET NUT
STYLES: CIRH05T OR CIRH05EV**

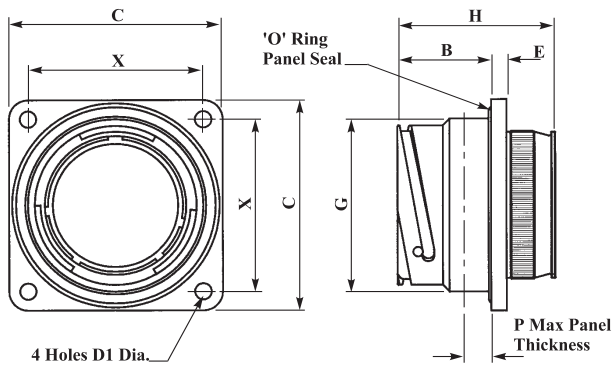


Metric
Imperial

CIRH05T

See page 90 for panel mounting details

| Shell Size | B | C | D1 +0,2 -0 +0.008-0 | E | F Thread Dia. Class 2A | G Dia. | H | P | X |
|------------|----------------|-----------------|---------------------------|---------------|------------------------------|----------------|----------------|----------------|----------------|
| 49 | 56,50 2.224 | 110,00 4.330 | 8,50 0.335 | 8,00 0.315 | 2 7/8" x 16 UN | 90,00 3.543 | 62,50 2.460 | 15,00 0.590 | 90,00 3.543 |



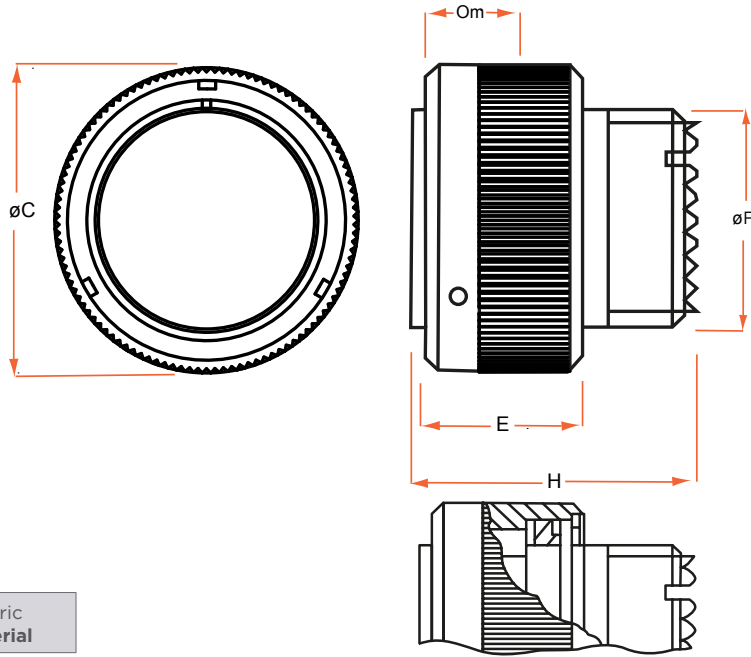
Metric
Imperial

CIRH05EV

See page 90 for panel mounting details

| Shell Size | B | C | D1 +0,2 -0 +0.008-0 | E | G Dia. | H | P | X |
|------------|----------------|-----------------|---------------------------|---------------|----------------|----------------|----------------|----------------|
| 49 | 56,50 2.224 | 110,00 4.330 | 8,50 0.335 | 8,00 0.315 | 90,00 3.543 | 62,50 2.460 | 15,00 0.590 | 90,00 3.543 |

**PLUG - FINE KNURL COUPLING NUT
STYLE: CIRH06T/CIRHSE06T**

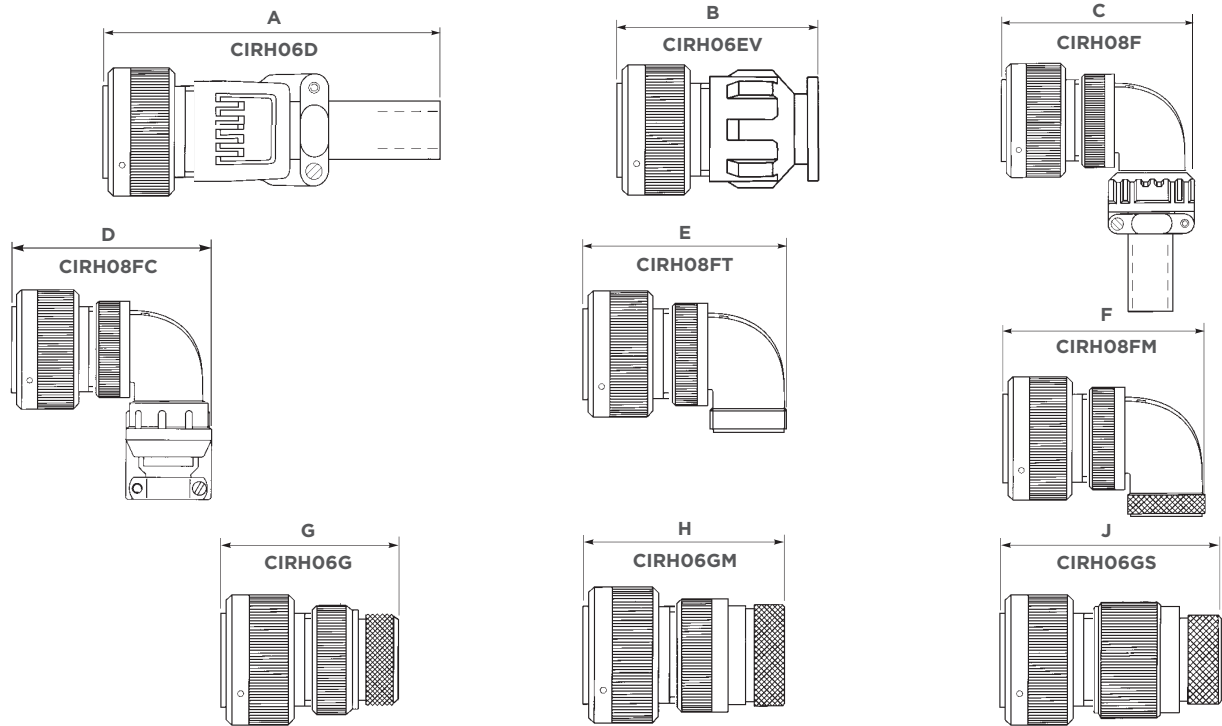


Metric
Imperial

CIRHSE06T with
Screening Facility

| Shell Size | C Max | E Max | F Thread Dia. Class 2A | H Max | Om Min Overlap Mated |
|------------|-----------------------|-----------------------|------------------------|-----------------------|-----------------------|
| 10SL | 24,20 0.953 | 17,50 0.689 | 5/8" x 24 UNEF | 28,95 1.140 | 11,10 0.437 |
| 14S | 30,60 1.205 | 17,50 0.689 | 3/4" x 20 UNEF | 28,95 1.140 | 11,10 0.437 |
| 16S | 33,40 1.315 | 17,50 0.689 | 7/8" x 20 UNEF | 28,95 1.140 | 11,10 0.437 |
| 16 | 33,40 1.315 | 24,00 0.945 | 7/8" x 20 UNEF | 36,40 1.433 | 15,85 0.624 |
| 18 | 37,30 1.468 | 24,00 0.945 | 1" x 20 UNEF | 36,40 1.433 | 15,85 0.624 |
| 20 | 40,70 1.602 | 24,00 0.945 | 1 1/8" x 18 UNEF | 36,40 1.433 | 15,85 0.624 |
| 22 | 44,20 1.740 | 24,00 0.945 | 1 1/4" x 18 UNEF | 36,40 1.433 | 15,85 0.624 |
| 24 | 47,70 1.878 | 24,00 0.945 | 1 3/8" x 18 UNEF | 36,40 1.433 | 15,75 0.620 |
| 28 | 54,50 2.146 | 24,00 0.945 | 1 5/8" x 18 UNEF | 36,40 1.433 | 15,75 0.620 |
| 32 | 61,40 2.417 | 27,00 1.063 | 1 7/8" x 16 UN | 36,40 1.433 | 15,75 0.620 |
| 36 | 68,00 2.677 | 27,00 1.063 | 2 1/16" x 16 UNS | 36,40 1.433 | 15,75 0.620 |
| 40 | 74,00 2.913 | 27,00 1.063 | 2 5/16" x 16 UN | 36,40 1.433 | 15,75 0.620 |

CIRH '06' OR 'SE06' STYLE CONNECTOR & ACCESSORY

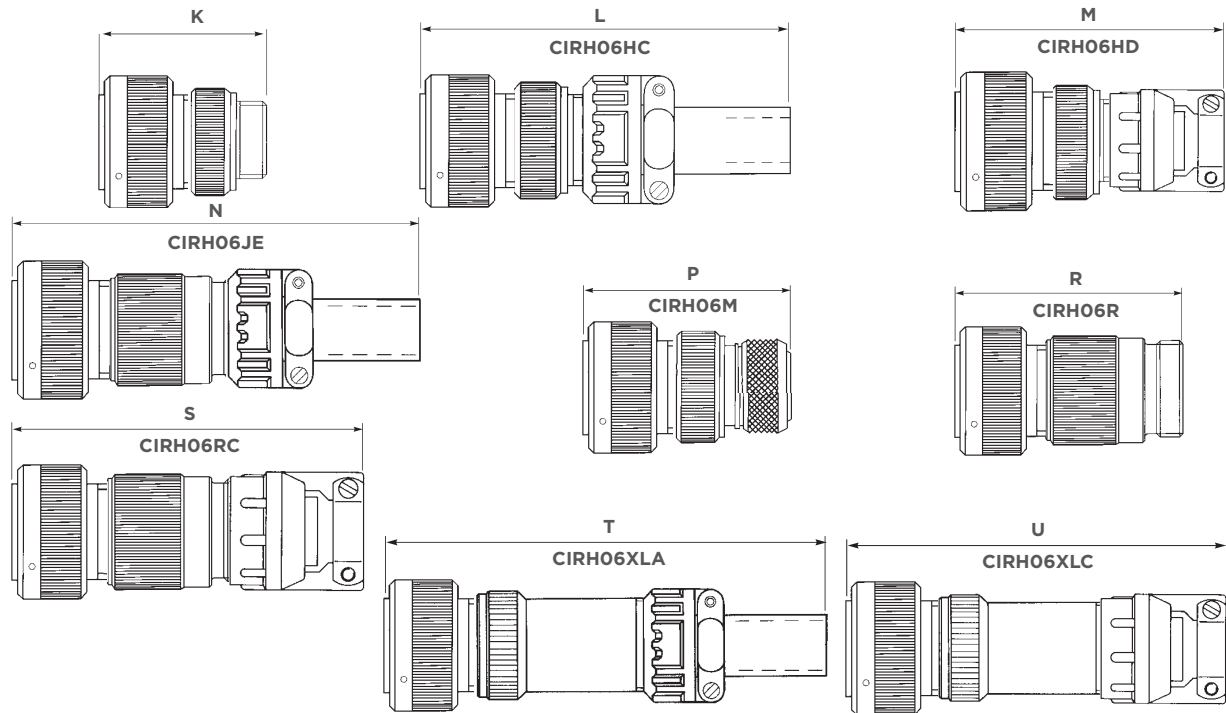


Metric
Imperial

| Shell Size | A | B | C | D | E | F | G | H | J |
|------------|-----------------|----------------|-----------------|-----------------|-----------------|-----------------|----------------|----------------|----------------|
| 10SL | 109,00 4.291 | 44,00 1.732 | 57,00 2.244 | 58,00 2.283 | 54,00 2.126 | 54,00 2.126 | 50,00 1.969 | 54,00 2.126 | * |
| 14S | 107,00 4.213 | 44,00 1.732 | 61,00 2.402 | 60,00 2.362 | 56,00 2.205 | 57,00 2.244 | 50,00 1.969 | 54,00 2.126 | * |
| 16S | 104,00 4.094 | 44,00 1.732 | 64,00 2.520 | 64,00 2.520 | 60,00 2.362 | 60,00 2.362 | 50,00 1.969 | 54,00 2.126 | * |
| 16 | 111,00 4.370 | 54,00 2.126 | 71,00 2.795 | 71,00 2.795 | 68,00 2.677 | 68,00 2.677 | 57,00 2.244 | 65,00 2.559 | * |
| 18 | 115,00 4.528 | 54,00 2.126 | 76,00 2.992 | 76,00 2.992 | 72,00 2.835 | 72,00 2.835 | 59,00 2.323 | 65,00 2.559 | 74,00 2.913 |
| 20 | 114,00 4.488 | 54,00 2.126 | 81,00 3.190 | 82,00 3.228 | 77,00 3.031 | 78,00 3.071 | 60,00 2.362 | 68,00 2.677 | 80,00 3.150 |
| 22 | 114,00 4.488 | 54,00 2.126 | 81,00 3.190 | 119,00 4.685 | 78,00 3.071 | 78,00 3.071 | 63,00 2.480 | 68,00 2.677 | 80,00 3.150 |
| 24 | 109,00 4.291 | 54,00 2.126 | 89,00 3.504 | 90,00 3.543 | 86,00 3.386 | 86,00 3.386 | 60,00 2.362 | 68,00 2.677 | 80,00 3.150 |
| 28 | 119,00 4.685 | 54,00 2.126 | 88,00 3.465 | 89,00 3.504 | 85,00 3.346 | 85,00 3.346 | 63,00 2.480 | 67,00 2.638 | 81,00 3.189 |
| 32 | 116,00 4.567 | 54,00 2.126 | 98,00 3.858 | 101,00 3.976 | 95,00 3.740 | 95,00 3.740 | 62,00 2.441 | 67,00 2.638 | 80,00 3.150 |
| 36 | 112,00 4.409 | 54,00 2.126 | 104,00 4.094 | 105,00 4.134 | 101,00 3.976 | 101,00 3.976 | 67,00 2.638 | 68,00 2.677 | 80,00 3.150 |
| 40 | N/A | 54,00 2.126 | 111,00 4.370 | 112,00 4.409 | 107,00 4.213 | 107,00 4.213 | 68,00 2.677 | 68,00 2.677 | 80,00 3.150 |

* Please consult TE for availability.

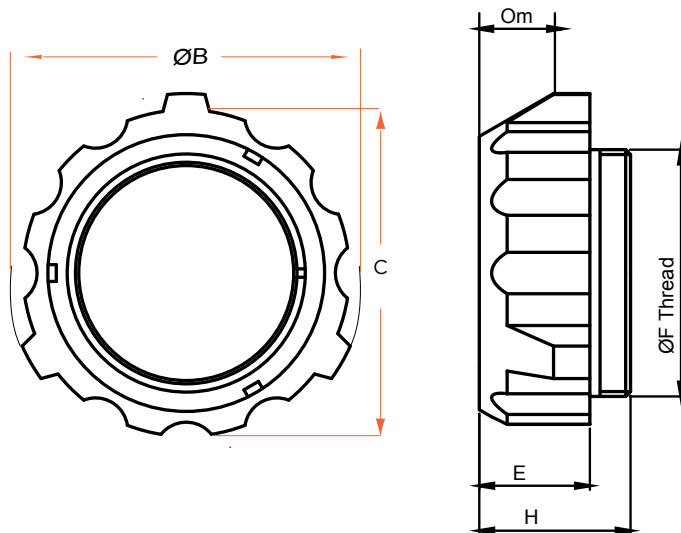
**CIRH '06' OR 'SE06' STYLE
CONNECTOR & ACCESSORY CONT.**



Metric
Imperial

| Shell Size | K | L | M | N | P | R | S | T | U |
|-------------|-----------------------|------------------------|------------------------|------------------------|-----------------------|-----------------------|------------------------|------------------------|------------------------|
| 10SL | 50,00 1.969 | 122,00 4.803 | 81,00 3.189 | 121,00 4.764 | 53,00 2.087 | 51,00 2.008 | 82,00 3.228 | 140,00 5.512 | 101,00 3.976 |
| 14S | 50,00 1.969 | 119,00 4.685 | 81,00 3.189 | 118,00 4.646 | 56,00 2.205 | 51,00 2.008 | 82,00 3.228 | 137,00 5.394 | 101,00 3.976 |
| 16S | 50,00 1.969 | 120,00 4.724 | 81,00 3.189 | 115,00 4.528 | 56,00 2.205 | 51,00 2.008 | 82,00 3.228 | 134,00 5.276 | 101,00 3.976 |
| 16 | 57,00 2.244 | 123,00 4.843 | 88,00 3.465 | 124,00 4.882 | 63,00 2.480 | 60,00 2.362 | 91,00 3.583 | 152,00 5.984 | 121,00 4.764 |
| 18 | 59,00 2.323 | 124,00 4.882 | 92,00 3.622 | 127,00 5.000 | 66,00 2.598 | 66,00 2.598 | 99,00 3.898 | 149,00 5.866 | 121,00 4.764 |
| 20 | 59,00 2.323 | 120,00 4.724 | 92,00 3.622 | 123,00 4.843 | 66,00 2.598 | 66,00 2.598 | 99,00 3.898 | 145,00 5.709 | 121,00 4.764 |
| 22 | 59,00 2.323 | 120,00 4.724 | 92,00 3.622 | 123,00 4.843 | 66,00 2.598 | 66,00 2.598 | 99,00 3.898 | 145,00 5.709 | 121,00 4.764 |
| 24 | 59,00 2.323 | 107,00 4.213 | 95,00 3.740 | 123,00 4.843 | 66,00 2.598 | 69,00 2.717 | 105,00 4.134 | 142,00 5.591 | 124,00 4.882 |
| 28 | 59,00 2.323 | 107,00 4.213 | 95,00 3.740 | 124,00 4.882 | 65,00 2.559 | 70,00 2.756 | 106,00 4.173 | 149,00 5.866 | 131,00 5.157 |
| 32 | 58,00 2.283 | 106,00 4.173 | 100,00 3.937 | 120,00 4.724 | 65,00 2.559 | 69,00 2.717 | 111,00 4.370 | 146,00 5.748 | 137,00 5.394 |
| 36 | 58,00 2.283 | 106,00 4.173 | 107,00 4.213 | 117,00 4.606 | 65,00 2.559 | 69,00 2.717 | 117,00 4.606 | 143,00 5.630 | 144,00 5.669 |
| 40 | 58,00 2.283 | 103,00 4.055 | 107,00 4.213 | 114,00 4.488 | 65,00 2.559 | 70,00 2.756 | 112,00 4.409 | 140,00 5.512 | 144,00 5.669 |

**PLUG RUBBER COVERED COUPLING NUT
STYLE: CIRHP06T/CIRHPSE06T**

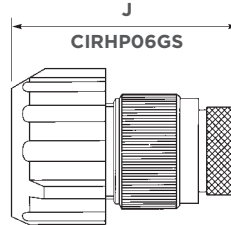
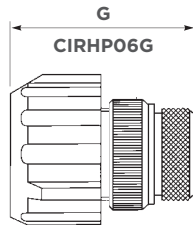
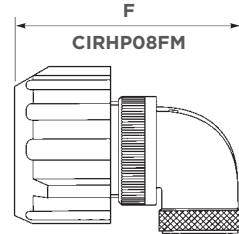
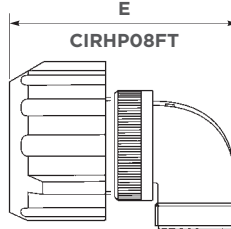
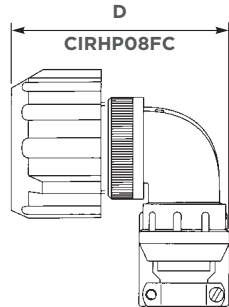
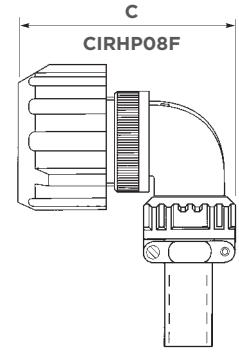
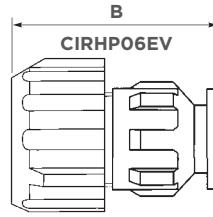
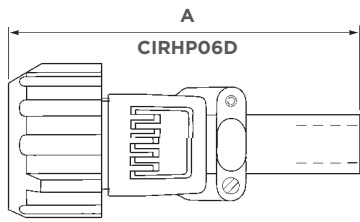


Metric
Imperial

| Shell Size | B Max | C Max | E Max | F Thread Dia. Class 2A | H Max | Om Min Overlap Mated |
|------------|-----------------------|-----------------------|-----------------------|------------------------|-----------------------|-----------------------|
| *10SL | 33,50 1.319 | 28,50 1.122 | 19,40 0.764 | 5/8" x 24 UNEF | 29,55 1.163 | 13,10 0.516 |
| *14S | 40,20 1.583 | 35,20 1.386 | 19,40 0.764 | 3/4" x 20 UNEF | 29,55 1.163 | 13,10 0.516 |
| *16S | 43,88 1.726 | 38,90 1.531 | 19,40 0.764 | 7/8" x 20 UNEF | 29,55 1.163 | 13,10 0.516 |
| *16 | 43,88 1.726 | 38,90 1.531 | 27,10 1.067 | 7/8" x 20 UNEF | 37,07 1.459 | 17,85 0.703 |
| 18 | 49,00 1.929 | 43,50 1.713 | 27,10 1.067 | 1" x 20 UNEF | 37,07 1.459 | 17,85 0.703 |
| 20 | 51,50 2.026 | 46,00 1.811 | 27,10 1.067 | 1 1/8" x 18 UNEF | 37,07 1.459 | 17,85 0.703 |
| 22 | 56,00 2.205 | 50,50 1.988 | 27,10 1.067 | 1 1/4" x 18 UNEF | 37,07 1.459 | 17,85 0.703 |
| 24 | 60,00 2.362 | 54,00 2.126 | 27,10 1.067 | 1 3/8" x 18 UNEF | 37,07 1.459 | 17,75 0.669 |
| *28 | 67,00 2.638 | 61,00 2.402 | 27,10 1.067 | 1 5/8" x 18 UNEF | 37,07 1.459 | 17,75 0.669 |
| *32 | 76,00 2.992 | 67,60 2.661 | 27,10 1.067 | 1 7/8" x 16 UN | 37,07 1.459 | 17,75 0.669 |
| 36 | 82,30 3.240 | 74,30 2.925 | 27,10 1.067 | 2 1/16" x 16 UNS | 37,07 1.459 | 17,75 0.669 |
| 40 | 88,00 3.465 | 80,00 3.150 | 27,10 1.067 | 2 5/16" x 16 UN | 37,07 1.459 | 17,75 0.669 |

* Please consult TE for availability.

CIRH '06' OR 'SE06' STYLE CONNECTOR & ACCESSORY

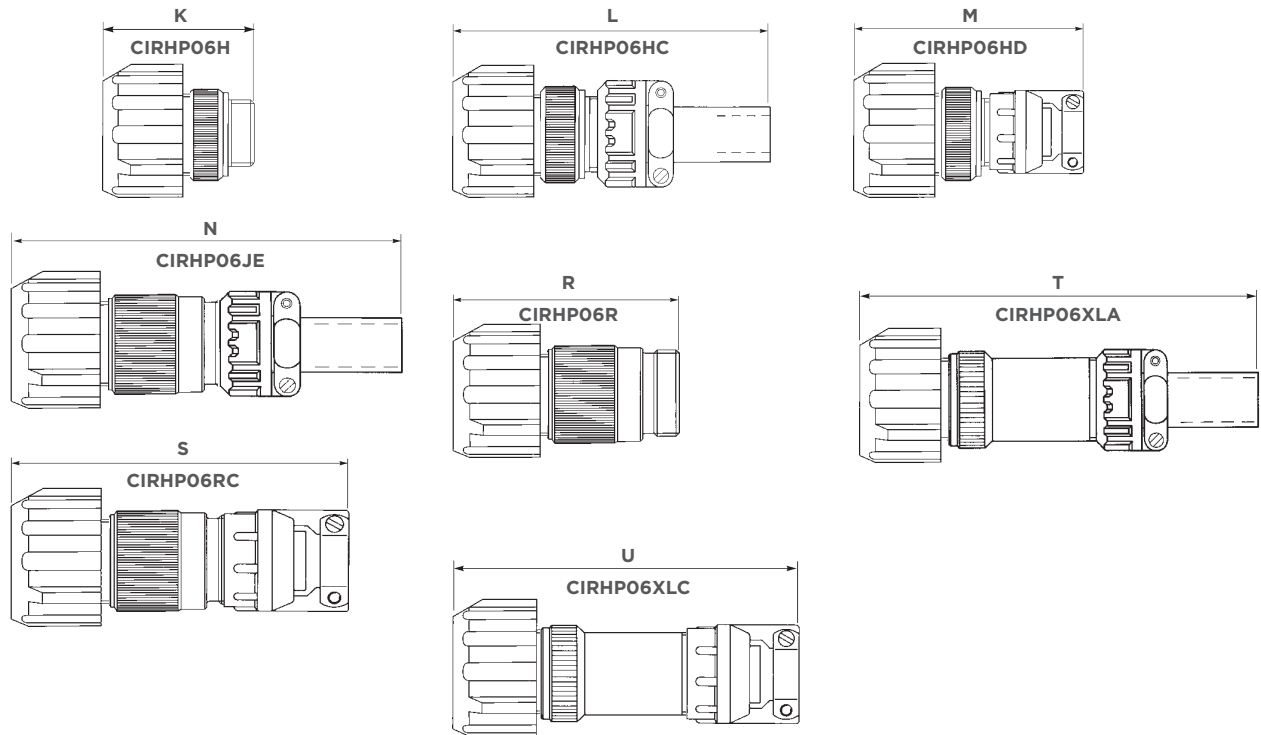


Metric
Imperial

| Shell Size | A | B | C | D | E | F | G | J |
|------------|------------------------|-----------------------|------------------------|------------------------|------------------------|------------------------|-----------------------|-----------------------|
| *10SL | 109,00 4.291 | 44,00 1.732 | 58,00 2.283 | 58,00 2.283 | 55,00 2.165 | 55,00 2.165 | 50,00 1.969 | * |
| *14S | 108,00 4.252 | 44,00 1.732 | 61,00 2.402 | 61,00 2.402 | 57,00 2.244 | 57,00 2.244 | 50,00 1.969 | * |
| *16S | 105,00 4.134 | 44,00 1.732 | 65,00 2.559 | 65,00 2.559 | 61,00 2.402 | 61,00 2.402 | 50,00 1.969 | * |
| *16 | 112,00 4.409 | 55,00 2.165 | 72,00 2.835 | 72,00 2.835 | 68,00 2.677 | 68,00 2.677 | 58,00 2.283 | * |
| 18 | 116,00 4.567 | 55,00 2.165 | 77,00 3.031 | 77,00 3.031 | 73,00 2.874 | 73,00 2.874 | 60,00 2.362 | 75,00 2.953 |
| 20 | 115,00 4.528 | 55,00 2.165 | 82,00 3.228 | 83,00 3.268 | 78,00 3.071 | 78,00 3.071 | 61,00 2.402 | 81,00 3.189 |
| 22 | 115,00 4.528 | 55,00 2.165 | 82,00 3.228 | 83,00 3.268 | 78,00 3.071 | 78,00 3.071 | 64,00 2.520 | 81,00 3.189 |
| 24 | 109,00 4.291 | 55,00 2.165 | 90,00 3.543 | 90,00 3.543 | 86,00 3.386 | 86,00 3.386 | 61,00 2.402 | 81,00 3.189 |
| *28 | 119,00 4.685 | 55,00 2.165 | 89,00 3.504 | 89,00 3.504 | 85,00 3.346 | 85,00 3.346 | 64,00 2.520 | 82,00 3.228 |
| *32 | 116,00 4.567 | 55,00 2.165 | 99,00 3.898 | 102,00 4.016 | 95,00 3.740 | 95,00 3.740 | 62,00 2.441 | 81,00 3.189 |
| 36 | 113,00 4.449 | 55,00 2.165 | 105,00 4.134 | 106,00 4.173 | 101,00 3.976 | 101,00 3.976 | 67,00 2.638 | 81,00 3.189 |
| 40 | NA | 55,00 2.165 | 112,00 4.409 | 112,00 4.409 | 108,00 4.252 | 108,00 4.252 | 69,00 2.717 | 81,00 3.189 |

* Please consult TE for availability.

**CIRH '06' OR 'SE06' STYLE
CONNECTOR & ACCESSORY CONT.**

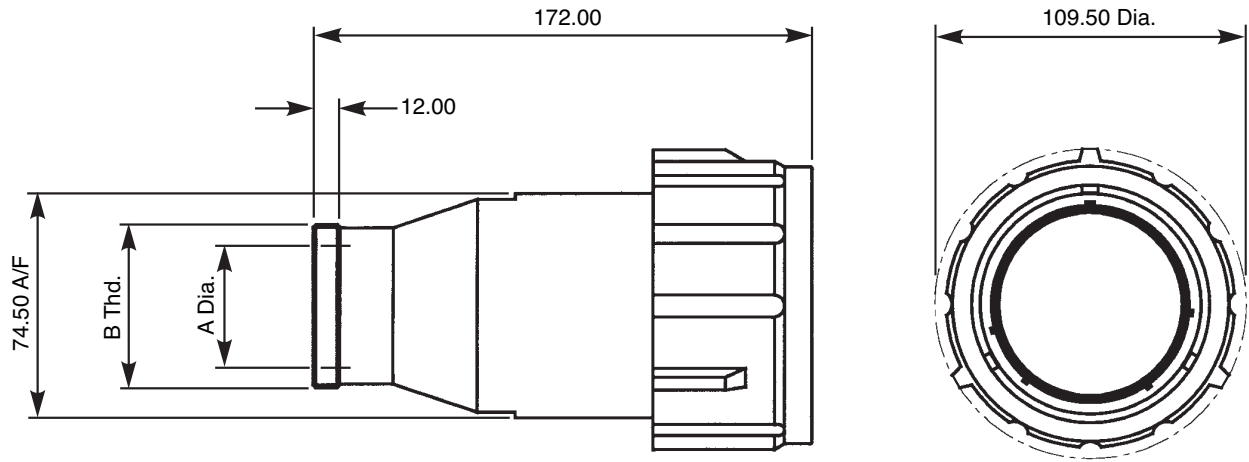


Metric
Imperial

| Shell Size | K | L | M | N | R | S | T | U |
|------------|----------------|-----------------|-----------------|-----------------|----------------|-----------------|-----------------|-----------------|
| *10SL | 51,00 2.008 | 123,00 4.843 | 81,00 3.189 | 122,00 4.803 | 52,00 2.047 | 83,00 3.268 | 140,00 5.512 | 102,00 4.016 |
| *14S | 51,00 2.008 | 119,00 4.685 | 81,00 3.189 | 119,00 4.685 | 52,00 2.047 | 83,00 3.268 | 138,00 5.433 | 102,00 4.016 |
| *16S | 51,00 2.008 | 121,00 4.764 | 81,00 3.189 | 115,00 4.528 | 52,00 2.047 | 83,00 3.268 | 135,00 5.315 | 102,00 4.016 |
| *16 | 58,00 2.283 | 124,00 4.882 | 89,00 3.504 | 124,00 4.882 | 61,00 2.402 | 92,00 3.622 | 152,00 5.984 | 121,00 4.764 |
| 18 | 60,00 2.362 | 125,00 4.921 | 93,00 3.661 | 127,00 5.000 | 67,00 2.638 | 99,00 3.898 | 149,00 5.866 | 121,00 4.764 |
| 20 | 60,00 2.362 | 121,00 4.764 | 93,00 3.661 | 124,00 4.882 | 67,00 2.638 | 99,00 3.898 | 146,00 5.748 | 121,00 4.764 |
| 22 | 60,00 2.362 | 121,00 4.764 | 93,00 3.661 | 124,00 4.882 | 67,00 2.638 | 99,00 3.898 | 146,00 5.748 | 121,00 4.764 |
| 24 | 60,00 2.362 | 108,00 4.252 | 96,00 3.780 | 124,00 4.882 | 70,00 2.756 | 106,00 4.173 | 143,00 5.630 | 125,00 4.921 |
| *28 | 60,00 2.362 | 108,00 4.252 | 96,00 3.780 | 125,00 4.921 | 71,00 2.795 | 106,00 4.173 | 150,00 5.906 | 132,00 5.197 |
| *32 | 59,00 2.323 | 107,00 4.213 | 101,00 3.976 | 121,00 4.764 | 70,00 2.756 | 112,00 4.409 | 147,00 5.787 | 138,00 5.433 |
| 36 | 59,00 2.323 | 107,00 4.213 | 107,00 4.213 | 117,00 4.606 | 70,00 2.756 | 118,00 4.646 | 144,00 5.669 | 144,00 5.669 |
| 40 | 59,00 2.323 | 104,00 4.094 | 107,00 4.213 | 116,00 4.567 | 71,00 2.795 | 113,00 4.449 | 140,00 5.512 | 144,00 5.669 |

* Please consult TE for availability.

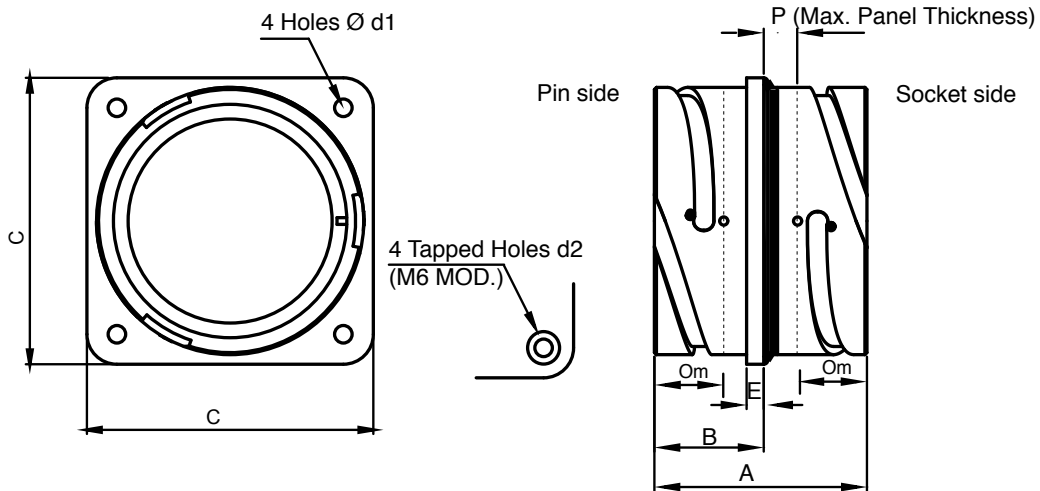
**SIZE 49 PLUG WITH CONDUIT ADAPTOR
RUBBER COVERED COUPLING NUT
STYLE: CIRHP06GGL OR GGS**



Metric
Imperial

| Connector Style | A Dia. Max. | B Thread |
|-----------------|-----------------------|---------------------|
| CIRHP06GGL..... | 43,50 1.713 | 2 1/4" x 16 UN-2A |
| CIRHP06GGS..... | 29,00 1.142 | 1 3/4" x 18 UNEF-2A |

**THROUGH BULKHEAD RECEPTACLE
STYLE: CIRH07/CIRH07...M6**



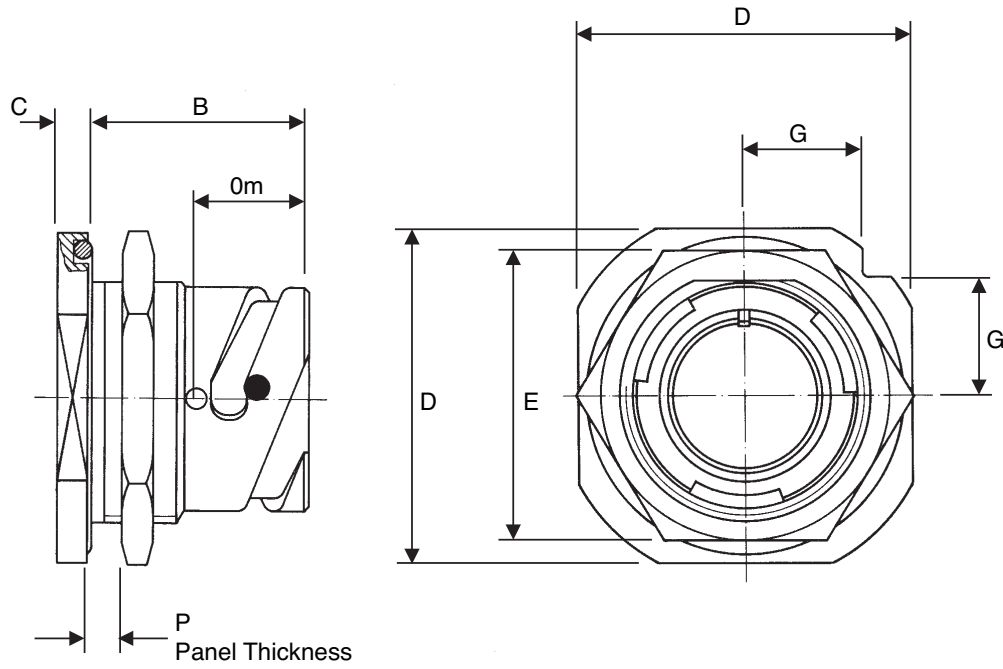
Metric
Imperial

Note. Maximum panel thickness when using cap head screws.
When using countersunk screws, maximum panel thickness = 7.5 mm.

See page 90 for panel mounting details.

| Shell Size | A Max | B Max | C Max | d1 +0,2 -0 +0.008-0 | d2 Thread | E Max | P See Note | Om Min Overlap Mated |
|------------|----------------|----------------|----------------|---------------------------|--------------|---------------|---------------|----------------------------|
| 10SL | 38,20 1.504 | 17,60 0.693 | 25,70 1.012 | 3,20 0.126 | M4 | 3,00 0.118 | 3,30 0.130 | 11,10 0.437 |
| 14S | 38,20 1.504 | 18,00 0.709 | 30,30 1.193 | 3,20 0.126 | M4 | 3,40 0.134 | 3,30 0.130 | 11,10 0.437 |
| 16S | 38,20 1.504 | 18,00 0.709 | 32,80 1.291 | 3,20 0.126 | M4 | 3,40 0.134 | 3,30 0.130 | 11,10 0.437 |
| 16 | 52,10 2.051 | 22,80 0.898 | 32,80 1.291 | 3,20 0.126 | M4 | 3,40 0.134 | 3,30 0.130 | 15,85 0.624 |
| 18 | 52,10 2.051 | 23,60 0.929 | 35,30 1.390 | 3,20 0.126 | M4 | 4,20 0.165 | 3,30 0.130 | 15,85 0.624 |
| 20 | 52,10 2.051 | 23,60 0.929 | 38,30 1.508 | 3,20 0.126 | M4 | 4,20 0.165 | 3,30 0.130 | 15,85 0.624 |
| 22 | 52,10 2.051 | 23,60 0.929 | 41,30 1.626 | 3,20 0.126 | M4 | 4,20 0.165 | 3,30 0.130 | 15,75 0.620 |
| 24 | 52,10 2.051 | 25,20 0.992 | 44,80 1.764 | 3,70 0.146 | M4 | 4,20 0.165 | 3,30 0.130 | 15,75 0.620 |
| 28 | 52,10 2.051 | 25,20 0.992 | 51,10 2.012 | 3,70 0.146 | M5 | 4,20 0.165 | 3,30 0.130 | 15,75 0.620 |
| 32 | 52,10 2.051 | 26,80 1.055 | 57,30 2.256 | 4,30 0.169 | M5 | 4,20 0.165 | 3,30 0.130 | 15,75 0.620 |
| 36 | 52,10 2.051 | 26,80 1.055 | 63,80 2.512 | 4,30 0.169 | M5 | 4,20 0.165 | 3,30 0.130 | 15,75 0.620 |
| 40 | 52,10 2.051 | 26,80 1.055 | 70,20 2.764 | 4,30 0.169 | M5 | 4,20 0.165 | 3,30 0.130 | 15,75 0.620 |

**SINGLE HOLE MOUNTING RECEPTACLE
REAR MOUNTED (NO ACCESSORY THREAD)
STYLE: CIRH09A**

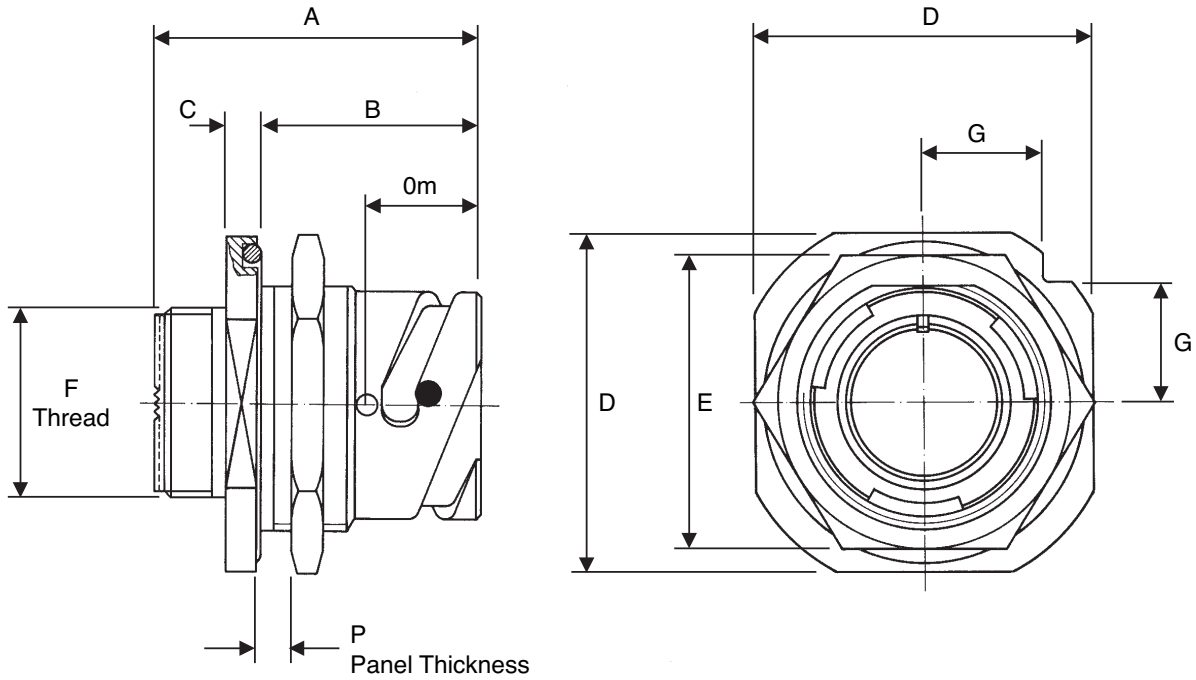


Metric
Imperial

See page 91 for panel mounting details.

| Shell Size | B | C | D Max | E | G | P | | Om Min Overlap Mated |
|------------|----------------|---------------|----------------|----------------|----------------|---------------|---------------|----------------------|
| | | | | | | Min | Max | |
| 10SL | 24,50 0.965 | 4,00 0.157 | 32,05 1.262 | 27,00 1.063 | 11,20 0.441 | 2,40 0.094 | 5,20 0.205 | 11,10 0.437 |
| 14S | 26,80 1.055 | 4,80 0.189 | 41,55 1.636 | 33,00 1.299 | 14,60 0.575 | 2,40 0.094 | 7,50 0.295 | 11,10 0.437 |
| 16S | 26,80 1.055 | 4,80 0.189 | 44,65 1.758 | 38,10 1.500 | 15,70 0.618 | 2,40 0.094 | 7,50 0.295 | 11,10 0.437 |
| 16 | 32,10 1.264 | 4,80 0.189 | 44,65 1.758 | 38,10 1.500 | 15,70 0.618 | 2,40 0.094 | 7,50 0.295 | 15,85 0.624 |
| 18 | 33,70 1.327 | 4,80 0.189 | 47,85 1.884 | 39,70 1.563 | 16,80 0.661 | 2,40 0.094 | 9,00 0.354 | 15,85 0.624 |
| 20 | 33,70 1.327 | 4,80 0.189 | 51,05 2.034 | 44,00 1.732 | 18,00 0.709 | 2,40 0.094 | 9,00 0.354 | 15,85 0.624 |
| 22 | 33,70 1.327 | 4,80 0.189 | 54,45 2.144 | 46,00 1.811 | 20,20 0.795 | 2,40 0.094 | 9,10 0.358 | 15,75 0.620 |
| 24 | 33,70 1.327 | 4,80 0.189 | 57,45 2.262 | 50,80 2.000 | 20,20 0.795 | 2,40 0.094 | 9,10 0.358 | 15,75 0.620 |
| 28 | 35,20 1.386 | 5,60 0.220 | 63,75 2.510 | 55,00 2.165 | 22,50 0.886 | 2,40 0.094 | 8,50 0.335 | 15,75 0.620 |
| 32 | 35,20 1.386 | 5,60 0.220 | 70,05 2.758 | 62,00 2.441 | 24,70 0.972 | 2,40 0.094 | 8,50 0.335 | 15,75 0.620 |
| 36 | 35,20 1.386 | 5,60 0.220 | 76,45 3.010 | 71,00 2.795 | 26,90 1.059 | 2,40 0.094 | 8,30 0.327 | 15,75 0.620 |
| 40 | 35,20 1.386 | 5,60 0.220 | 83,75 3.297 | 75,00 2.953 | 29,60 1.165 | 2,40 0.094 | 8,30 0.327 | 15,75 0.620 |

**SINGLE HOLE MOUNTING RECEPTACLE
REAR MOUNTED
STYLE: CIRH09T**

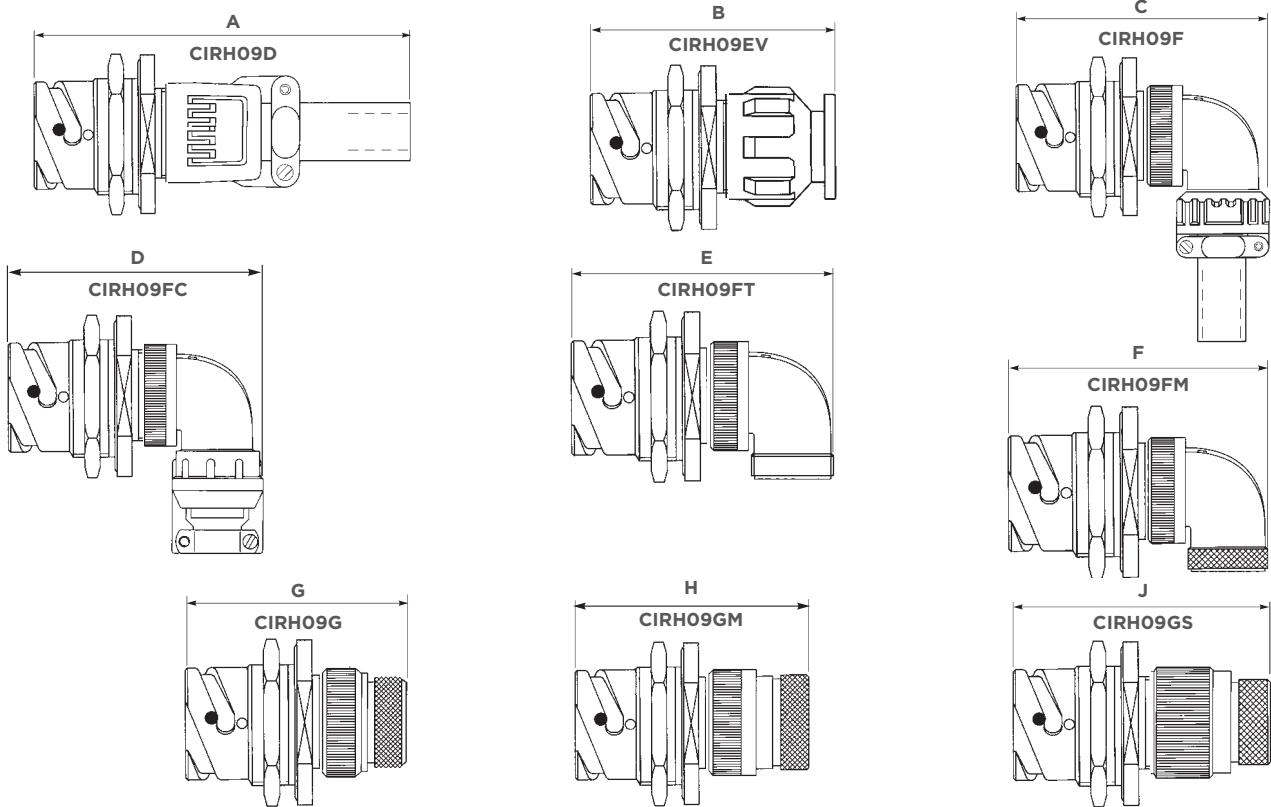


Metric
Imperial

See page 91 for panel mounting details.

| Shell Size | A Max | B | C | D Max | E | F Thread Dia. Class 2A | G | P | | Om Min Overlap Mated |
|------------|----------------|----------------|---------------|----------------|----------------|------------------------|----------------|---------------|---------------|----------------------|
| | | | | | | | | Min | Max | |
| 10SL | 36,45 1.435 | 24,50 0.965 | 4,00 0.157 | 32,05 1.262 | 27,00 1.063 | 5/8" x 24 UNEF | 11,20 0.441 | 2,40 0.094 | 5,20 0.205 | 11,10 0.437 |
| 14S | 39,15 1.541 | 26,80 1.055 | 4,80 0.189 | 41,55 1.636 | 33,00 1.299 | 3/4" x 20 UNEF | 14,60 0.575 | 2,40 0.094 | 7,50 0.295 | 11,10 0.437 |
| 16S | 39,15 1.541 | 26,80 1.055 | 4,80 0.189 | 44,65 1.758 | 38,10 1.500 | 7/8" x 20 UNEF | 15,70 0.618 | 2,40 0.094 | 7,50 0.295 | 11,10 0.437 |
| 16 | 48,75 1.919 | 32,10 1.264 | 4,80 0.189 | 44,65 1.758 | 38,10 1.500 | 7/8" x 20 UNEF | 15,70 0.618 | 2,40 0.094 | 7,50 0.295 | 15,85 0.624 |
| 18 | 49,55 1.951 | 33,70 1.327 | 4,80 0.189 | 47,85 1.884 | 39,70 1.563 | 1" x 20 UNEF | 16,80 0.661 | 2,40 0.094 | 9,00 0.354 | 15,85 0.624 |
| 20 | 49,55 1.951 | 33,70 1.327 | 4,80 0.189 | 51,05 2.034 | 44,00 1.732 | 1 1/8" x 18 UNEF | 18,00 0.709 | 2,40 0.094 | 9,00 0.354 | 15,85 0.624 |
| 22 | 49,55 1.951 | 33,70 1.327 | 4,80 0.189 | 54,45 2.144 | 46,00 1.811 | 1 1/4" x 18 UNEF | 20,20 0.795 | 2,40 0.094 | 9,10 0.358 | 15,75 0.620 |
| 24 | 49,55 1.951 | 33,70 1.327 | 4,80 0.189 | 57,45 2.262 | 50,80 2.000 | 1 3/8" x 18 UNEF | 20,20 0.795 | 2,40 0.094 | 9,10 0.358 | 15,75 0.620 |
| 28 | 52,15 2.053 | 35,20 1.386 | 5,60 0.220 | 63,75 2.510 | 55,00 2.165 | 1 5/8" x 18 UNEF | 22,50 0.886 | 2,40 0.094 | 8,50 0.335 | 15,75 0.620 |
| 32 | 52,15 2.053 | 35,20 1.386 | 5,60 0.220 | 70,05 2.758 | 62,00 2.441 | 1 7/8" x 16 UN | 24,70 0.972 | 2,40 0.094 | 8,50 0.335 | 15,75 0.620 |
| 36 | 52,15 2.053 | 35,20 1.386 | 5,60 0.220 | 76,45 3.010 | 71,00 2.795 | 2 1/16" x 16 UNS | 26,90 1.059 | 2,40 0.094 | 8,30 0.327 | 15,75 0.620 |
| 40 | 52,15 2.053 | 35,20 1.386 | 5,60 0.220 | 83,75 3.297 | 75,00 2.953 | 2 5/16" x 16 UN | 29,60 1.165 | 2,40 0.094 | 8,30 0.327 | 15,75 0.620 |

CIRH '09' STYLE CONNECTOR & ACCESSORY

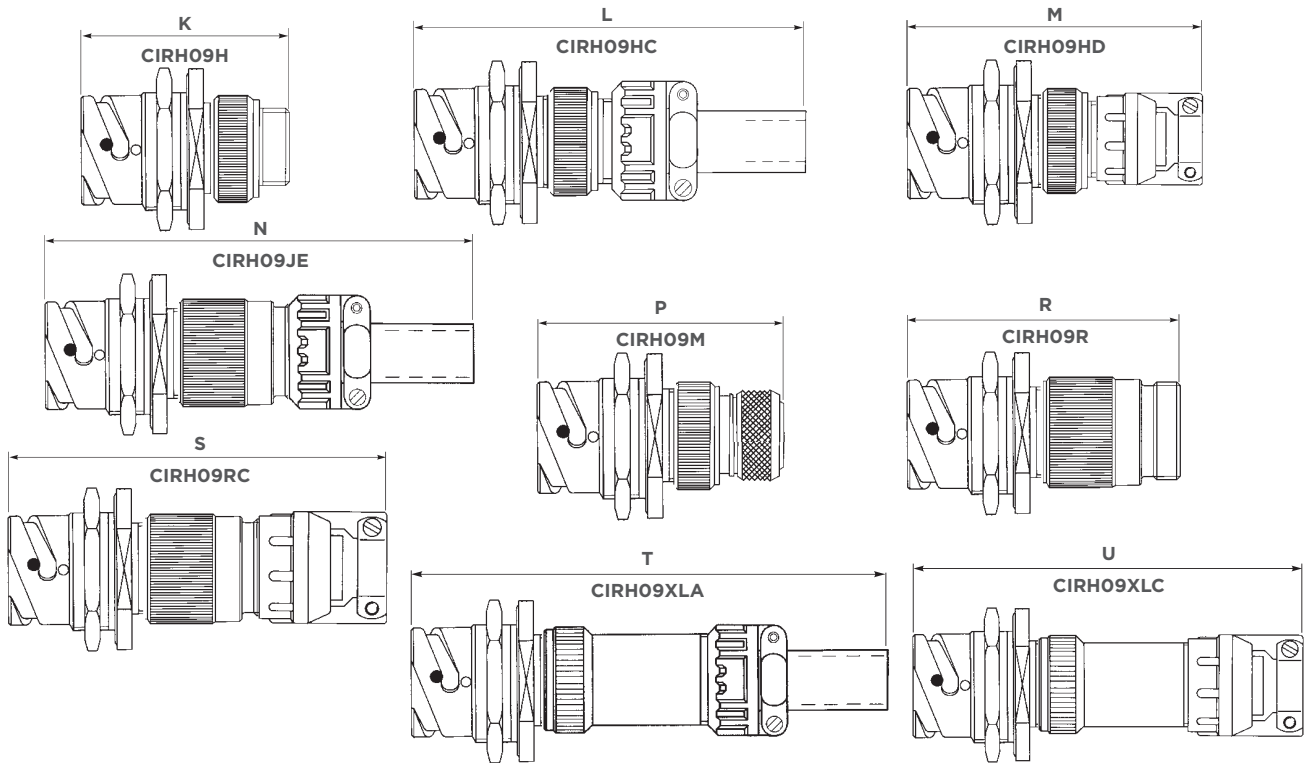


Metric
Imperial

| Shell Size | A | B | ++C | ++D | ++E | ++F | ++G | ++H | J |
|------------|-----------------|----------------|-----------------|-----------------|-----------------|-----------------|----------------|----------------|----------------|
| 10SL | 116,00 4.567 | 51,00 2.008 | 65,00 2.560 | 65,00 2.560 | 61,00 2.402 | 61,00 2.402 | 57,00 2.244 | 61,00 2.402 | * |
| 14S | 117,00 4.606 | 54,00 2.126 | 70,00 2.756 | 71,00 2.795 | 67,00 2.638 | 67,00 2.638 | 60,00 2.362 | 64,00 2.520 | * |
| 16S | 114,00 4.488 | 54,00 2.126 | 72,00 2.835 | 74,00 2.913 | 70,00 2.756 | 70,00 2.756 | 60,00 2.362 | 64,00 2.520 | * |
| 16 | 124,00 4.882 | 67,00 2.638 | 84,00 3.307 | 83,00 3.268 | 78,00 3.071 | 80,00 3.150 | 69,00 2.717 | 77,00 3.031 | * |
| 18 | 128,00 5.040 | 68,00 2.677 | 89,00 3.504 | 89,00 3.504 | 85,00 3.346 | 85,00 3.346 | 72,00 2.835 | 78,00 3.071 | 88,00 3.465 |
| 20 | 127,00 5.000 | 68,00 2.677 | 94,00 3.700 | 95,00 3.740 | 91,00 3.583 | 91,00 3.583 | 73,00 2.875 | 82,00 3.228 | 93,00 3.661 |
| 22 | 127,00 5.000 | 68,00 2.677 | 94,00 3.700 | 96,00 3.780 | 91,00 3.583 | 91,00 3.583 | 76,00 2.992 | 82,00 3.228 | 94,00 3.700 |
| 24 | 122,00 4.803 | 68,00 2.677 | 102,00 4.016 | 103,00 4.055 | 99,00 3.898 | 99,00 3.898 | 73,00 2.875 | 82,00 3.228 | 94,00 3.700 |
| 28 | 135,00 5.315 | 70,00 2.756 | 104,00 4.094 | 105,00 4.134 | 101,00 3.976 | 101,00 3.976 | 79,00 3.110 | 83,00 3.268 | 97,00 3.700 |
| 32 | 131,00 5.157 | 70,00 2.756 | 114,00 4.488 | 117,00 4.606 | 111,00 4.370 | 111,00 4.370 | 77,00 3.031 | 83,00 3.268 | 96,00 3.780 |
| 36 | 128,00 5.040 | 70,00 2.756 | 120,00 4.724 | 121,00 4.764 | 117,00 4.606 | 117,00 4.606 | 83,00 3.268 | 84,00 3.307 | 96,00 3.780 |
| 40 | NA | 70,00 2.756 | 127,00 5.000 | 128,00 5.039 | 123,00 4.843 | 123,00 4.843 | 84,00 3.307 | 84,00 3.307 | 96,00 3.780 |

* Please consult TE for availability. ++ For connector with locking accessory, please refer to the Sales office.

CIRH '09' STYLE CONNECTOR & ACCESSORY CONT.

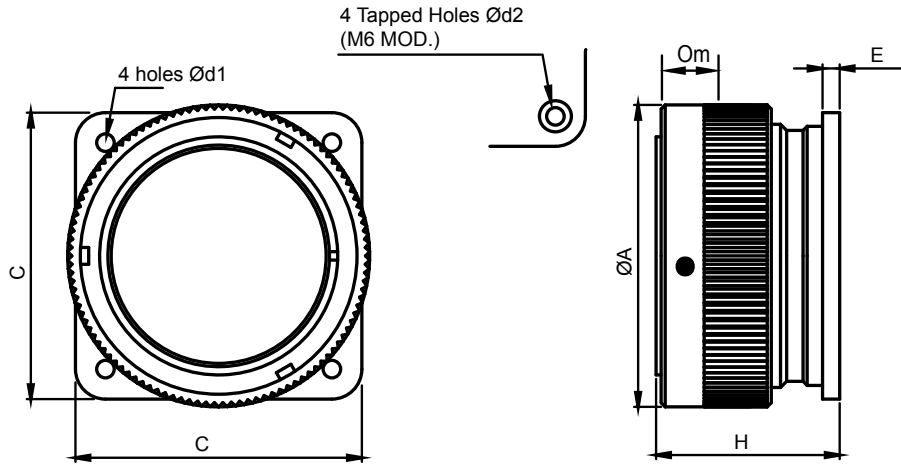


Metric
Imperial

| Shell Size | ++K | ++L | ++M | N | ++P | R | S | ++T | ++U |
|------------|----------------|-----------------|-----------------|-----------------|----------------|----------------|-----------------|-----------------|-----------------|
| 10SL | 57,00 2.244 | 130,00 5.118 | 88,00 3.465 | 130,00 5.118 | 61,00 2.402 | 59,00 2.323 | 90,00 3.543 | 148,00 5.827 | 109,00 4.291 |
| 14S | 60,00 2.362 | 129,00 5.079 | 91,00 3.583 | 128,00 5.039 | 66,00 2.598 | 61,00 2.402 | 92,00 3.622 | 147,00 5.787 | 112,00 4.409 |
| 16S | 60,00 2.362 | 131,00 5.157 | 91,00 3.583 | 125,00 4.921 | 66,00 2.598 | 61,00 2.402 | 92,00 3.622 | 144,00 5.669 | 112,00 4.409 |
| 16 | 72,00 2.835 | 135,00 5.315 | 101,00 3.976 | 136,00 5.354 | 76,00 2.992 | 72,00 2.835 | 103,00 4.055 | 134,00 5.276 | 133,00 5.236 |
| 18 | 73,00 2.875 | 138,00 5.433 | 105,00 4.134 | 140,00 5.512 | 80,00 3.150 | 79,00 3.110 | 112,00 4.409 | 162,00 6.378 | 134,00 5.276 |
| 20 | 73,00 2.875 | 133,00 5.236 | 105,00 4.134 | 137,00 5.394 | 80,00 3.150 | 79,00 3.110 | 112,00 4.409 | 159,00 6.260 | 134,00 5.276 |
| 22 | 73,00 2.875 | 133,00 5.236 | 105,00 4.134 | 137,00 5.394 | 80,00 3.150 | 79,00 3.110 | 112,00 4.409 | 159,00 6.260 | 134,00 5.276 |
| 24 | 73,00 2.875 | 120,00 4.724 | 108,00 4.252 | 137,00 5.394 | 80,00 3.150 | 79,00 3.110 | 112,00 4.409 | 159,00 6.260 | 134,00 5.276 |
| 28 | 75,00 2.953 | 123,00 4.843 | 112,00 4.409 | 140,00 5.512 | 81,00 3.189 | 86,00 3.386 | 121,00 4.764 | 165,00 6.496 | 147,00 5.787 |
| 32 | 74,00 2.913 | 122,00 4.803 | 116,00 4.567 | 136,00 5.354 | 81,00 3.189 | 85,00 3.346 | 127,00 5.000 | 162,00 6.378 | 153,00 6.024 |
| 36 | 74,00 2.913 | 122,00 4.803 | 122,00 4.803 | 133,00 5.236 | 81,00 3.189 | 85,00 3.346 | 133,00 5.236 | 159,00 6.260 | 159,00 6.260 |
| 40 | 74,00 2.913 | 119,00 4.685 | 123,00 4.843 | 131,00 5.157 | 81,00 3.189 | 86,00 3.386 | 128,00 5.039 | 155,00 6.102 | 159,00 6.260 |

++ For connector with locking accessory, please refer to TE

**PANEL MOUNTED PLUG (NO ACCESSORY THREAD)
STYLE: CIRH12A/CIRH12A...M6**

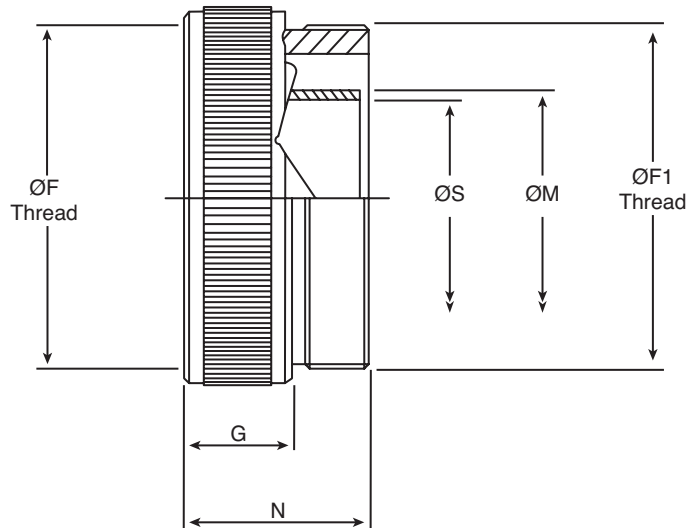
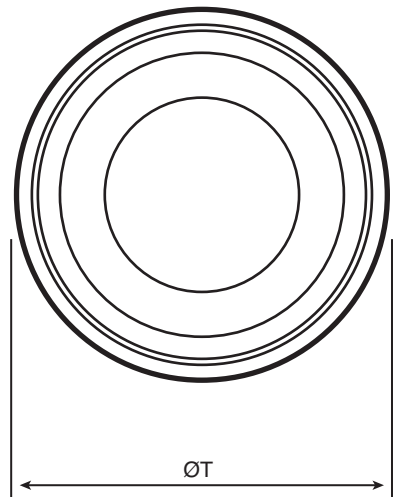


Metric
Imperial

Note: No provision for rear sealing - contact factory if required.
See page 90 for panel mounting details.

| Shell Size | A Max. | C Max. | d1 +0.2, -0 mm | d2 Thread | E Max. | H Max. | Om Min. Overlap, mated |
|------------|-----------------------|-----------------------|----------------------|--------------|----------------------|-----------------------|---------------------------|
| 10SL | 24,20 0.953 | 25,70 1.012 | 3,20 0.126 | M4 | 3,00 0.118 | 28,10 1.106 | 11,10 0.437 |
| 14S | 30,60 1.205 | 30,30 1.193 | 3,20 0.126 | M4 | 3,40 0.134 | 28,10 1.106 | 11,10 0.437 |
| 16S | 33,40 1.315 | 32,80 1.291 | 3,20 0.126 | M4 | 3,40 0.134 | 28,10 1.106 | 11,10 0.437 |
| 16 | 33,40 1.315 | 32,80 1.291 | 3,20 0.126 | M4 | 3,40 0.134 | 37,60 1.480 | 15,85 0.624 |
| 18 | 37,30 1.469 | 35,30 1.390 | 3,20 0.126 | M4 | 4,20 0.165 | 38,60 1.519 | 15,85 0.624 |
| 20 | 40,70 1.602 | 38,30 1.508 | 3,20 0.126 | M4 | 4,20 0.165 | 38,60 1.519 | 15,85 0.624 |
| 22 | 44,20 1.740 | 41,30 1.626 | 3,20 0.126 | M4 | 4,20 0.165 | 38,60 1.519 | 15,85 0.624 |
| 24 | 47,70 1.878 | 44,80 1.764 | 3,20 0.126 | M4 | 4,20 0.165 | 41,00 1.614 | 15,75 0.620 |
| 28 | 54,50 2.146 | 51,10 2.012 | 3,20 0.126 | M5 | 4,20 0.165 | 41,80 1.646 | 15,75 0.620 |
| 32 | 61,40 2.417 | 57,30 2.256 | 4,30 0.169 | M5 | 4,20 0.165 | 45,00 1.772 | 15,75 0.620 |
| 36 | 68,00 2.677 | 63,80 2.512 | 4,30 0.169 | M5 | 4,20 0.165 | 45,00 1.772 | 15,75 0.620 |
| 40 | 74,00 2.913 | 70,20 2.764 | 4,30 0.169 | M5 | 4,20 0.165 | 45,00 1.772 | 15,75 0.620 |

CONDUIT ADAPTOR WITH BRAID SCREEN TRAP - NO GROMMET ACCESSORY
TYPE 'RM'
STYLE: CIRB - ** - CRA



Metric
Imperial

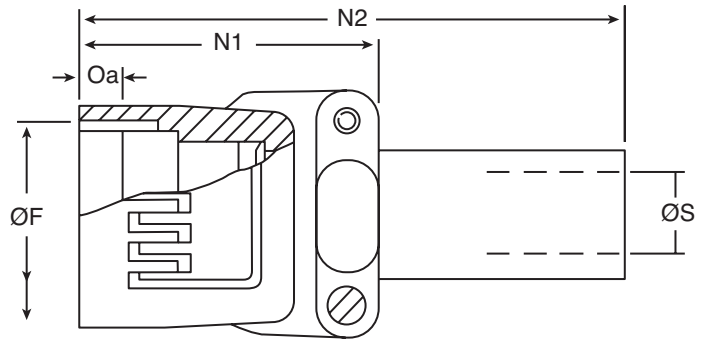
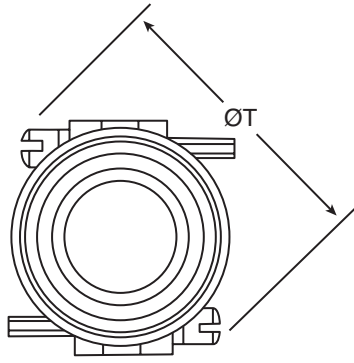
Note: This accessory can only be used in conjunction with style 'H' or 'FT' adaptor.

How to order:
 CIRB - ** - CRA
 Shell size _____

| Shell Size | F Thread Dia. Class 2B | F1 Thread Dia. Class 2A | G Max | N Max | S Min | T Max | M Max |
|------------|------------------------|-------------------------|-----------------------|-----------------------|-----------------------|-----------------------|-----------------------|
| 10SL | 5/8" x 24 UNEF | 3/4" x 20 UNEF | 11,00 0.433 | 23,10 0.909 | 8,40 0.331 | 18,50 0.728 | 10,10 0.398 |
| 14S | 3/4" x 20 UNEF | 7/8" x 20 UNEF | 10,00 0.394 | 27,60 1.087 | 8,51 0.335 | 21,53 0.848 | 11,71 0.461 |
| 16S | 7/8" x 20 UNEF | 1" x 20 UNEF | 10,00 0.394 | 27,60 1.087 | 9,74 0.383 | 25,50 1.004 | 13,10 0.516 |
| 16 | 7/8" x 20 UNEF | 1" x 20 UNEF | 11,00 0.433 | 30,60 1.205 | 9,74 0.383 | 25,50 1.004 | 13,10 0.516 |
| 18 | 1" x 20 UNEF | 1 2/16" x 18 UNEF | 11,00 0.433 | 30,60 1.205 | 12,90 0.508 | 29,10 1.146 | 16,26 0.640 |
| 20 | 1 3/16" x 18 UNEF | 1 7/16" x 18 UNEF | 11,00 0.433 | 30,60 1.205 | 18,23 0.718 | 35,45 1.396 | 21,51 0.847 |
| 22 | 1 3/16" x 18 UNEF | 1 7/16" x 18 UNEF | 11,00 0.433 | 30,60 1.205 | 18,23 0.718 | 35,45 1.396 | 21,51 0.847 |
| 24 | 1 7/16" x 18 UNEF | 1 3/4" x 18 UNS | 11,00 0.433 | 30,60 1.205 | 25,93 1.021 | 43,60 1.717 | 29,21 1.150 |
| 28 | 1 7/16" x 18 UNEF | 1 3/4" x 18 UNS | 11,00 0.433 | 30,60 1.205 | 25,93 1.021 | 43,60 1.717 | 29,21 1.150 |
| 32 | 1 3/4" x 18 UNS | 1 3/4" x 18 UNS | 13,00 0.512 | 30,60 1.205 | 25,93 1.021 | 49,55 1.951 | 29,10 1.146 |
| 36 | 2" x 18 UNS | 2" x 18 UNS | 13,00 0.512 | 30,60 1.205 | 32,00 1.260 | 55,90 2.201 | 35,19 1.385 |
| 40 | 2 1/4" x 16 UN | 2 1/4" x 16 UN | 13,00 0.512 | 30,60 1.205 | 32,33 1.273 | 63,10 2.484 | 35,60 1.402 |

*Please consult TE for availability.

**NON-LOCKING CABLE CLAMP WITH GROMMET & FOLLOWER ACCESSORY
TYPE 'D'
STYLE: CIRBH - ** - ** - OCN - F80**

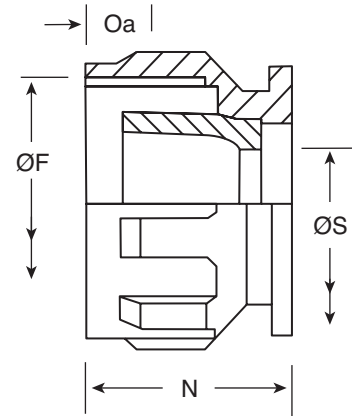
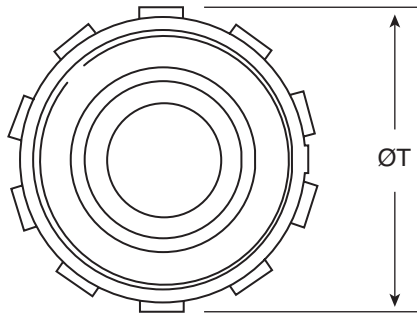


Metric
Imperial

How to order:
CIRBH - ** - ** - OCN- F80
Shell size _____
Contact arrangement _____

| Shell Size | F Thread Dia. Class 2B | N1 Max | N2 Max | S Min/Max | T Max | Oa Min Overlap Accessory |
|------------|------------------------|-----------------------|-----------------------|-----------------------------------|-----------------------|--------------------------|
| 10SL | 5/8" x 24 UNEF | 36,42 1.434 | 86,68 3.413 | 3,68/5,76 0.145/0.227 | 35,15 1.384 | 7,00 0.276 |
| 14S | 3/4" x 20 UNEF | 27,41 1.079 | 85,04 3.348 | 4,62/8,10 0.182/0.319 | 39,88 1.570 | 7,00 0.276 |
| 16S | 7/8" x 20 UNEF | 27,41 1.079 | 81,99 3.228 | 7,82/11,30 0.308/0.444 | 41,45 1.632 | 7,00 0.276 |
| 16 | 7/8" x 20 UNEF | 27,41 1.079 | 81,99 3.228 | 7,82/11,30 0.308/0.444 | 41,45 1.632 | 7,00 0.276 |
| 18 | 1" x 20 UNEF | 44,68 1.759 | 85,55 3.368 | 8,79/14,45 0.346/0.569 | 45,52 1.792 | 7,00 0.276 |
| 20 | 1 1/8" x 18 UNEF | 44,68 1.759 | 84,61 3.331 | 10,54/16,00 0.415/0.632 | 49,63 1.954 | 7,00 0.276 |
| 22 | 1 1/4" x 18 UNEF | 44,68 1.759 | 84,61 3.331 | 10,54/16,00 0.415/0.632 | 49,63 1.954 | 7,00 0.276 |
| 24 | 1 2/8" x 18 UNEF | 44,68 1.759 | 79,20 3.118 | 14,55/19,23 0.573/0.757 | 56,29 2.216 | 7,00 0.276 |
| 28 | 1 5/8" x 18 UNEF | 54,79 2.157 | 89,31 3.516 | 14,15/19,23 0.557/0.757 | 60,45 2.380 | 7,00 0.276 |
| 32 | 1 7/8" x 16 UN | 54,79 2.157 | 86,13 3.390 | 19,18/23,98 0.755/0.944 | 68,43 2.694 | 7,00 0.276 |
| 36 | 2 1/16" x 16 UNS | 54,79 2.157 | 82,98 3.267 | 24,51/31,93 0.965/1.257 | 71,68 2.822 | 7,00 0.276 |

**NON-LOCKING GROMMET NUT
TYPE 'EV'
STYLE: CIRBH - ** - ** - EV - F80**

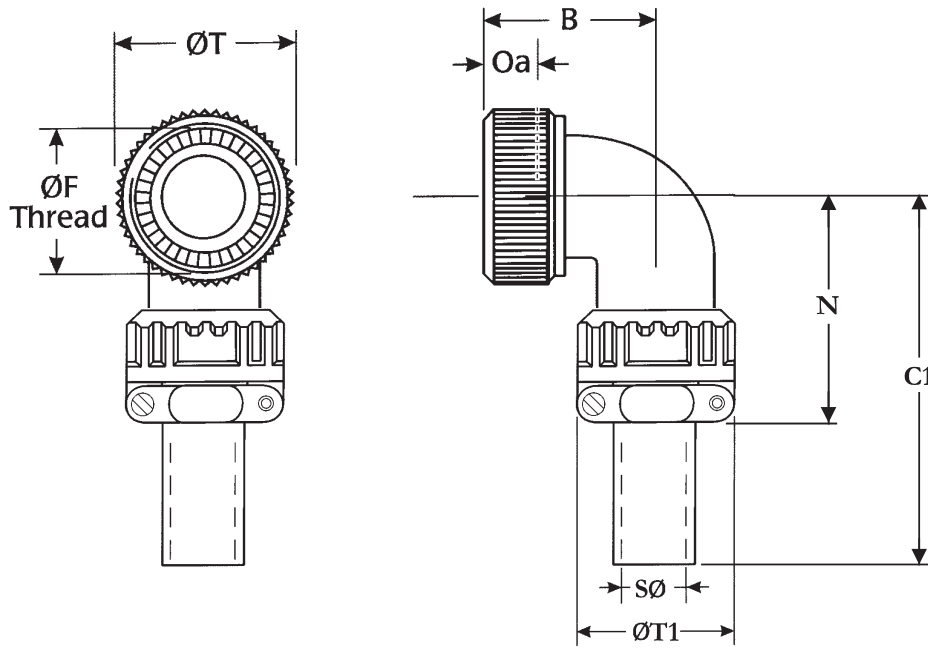


Metric
Imperial

How to order:
CIRBH - ** - ** - EV - F80
Shell size ————
Contact arrangement ————

| Shell Size | T Max | F Thread Dia. Class 2B | N Max | S Min | Oa Min Overlap Accessory |
|------------|-----------------------|------------------------|-----------------------|-----------------------|--------------------------|
| 10SL | 21,60 0.850 | 5/8" x 24 UNEF | 20,83 0.820 | 8,60 0.339 | 6,10 0.240 |
| 14S | 24,80 0.976 | 3/4" x 20 UNEF | 20,83 0.820 | 11,10 0.437 | 6,10 0.240 |
| 16S | 28,70 1.130 | 7/8" x 20 UNEF | 20,83 0.820 | 14,30 0.563 | 6,10 0.240 |
| 16 | 28,70 1.130 | 7/8" x 20 UNEF | 25,53 1.005 | 14,30 0.563 | 7,60 0.300 |
| 18 | 31,90 1.256 | 1" x 20 UNEF | 25,53 1.005 | 16,70 0.657 | 7,60 0.300 |
| 20 | 34,90 1.374 | 1 1/8" x 18 UNEF | 25,53 1.005 | 19,80 0.780 | 7,60 0.300 |
| 22 | 38,20 1.504 | 1 1/4" x 18 UNEF | 25,53 1.005 | 21,34 0.840 | 7,60 0.300 |
| 24 | 41,40 1.630 | 1 3/8" x 18 UNEF | 25,53 1.005 | 25,40 1.000 | 7,60 0.300 |
| 28 | 47,80 1.882 | 1 5/8" x 18 UNEF | 25,53 1.005 | 30,13 1.186 | 7,60 0.300 |
| 32 | 54,10 2.130 | 1 7/8" x 16 UN | 25,53 1.005 | 36,73 1.446 | 7,60 0.300 |
| 36 | 58,70 2.311 | 2 1/16" x 16 UNS | 25,53 1.005 | 41,00 1.614 | 7,60 0.300 |
| 40 | 63,00 2.480 | 2 5/16" x 16 UN | 25,64 1.009 | 45,90 1.807 | 7,60 0.300 |

LOCKING 90° OUTLET WITH CABLE CLAMP & BUSHING
TYPE 'F'
STYLE: CIRBH - ** - ** - F - F80

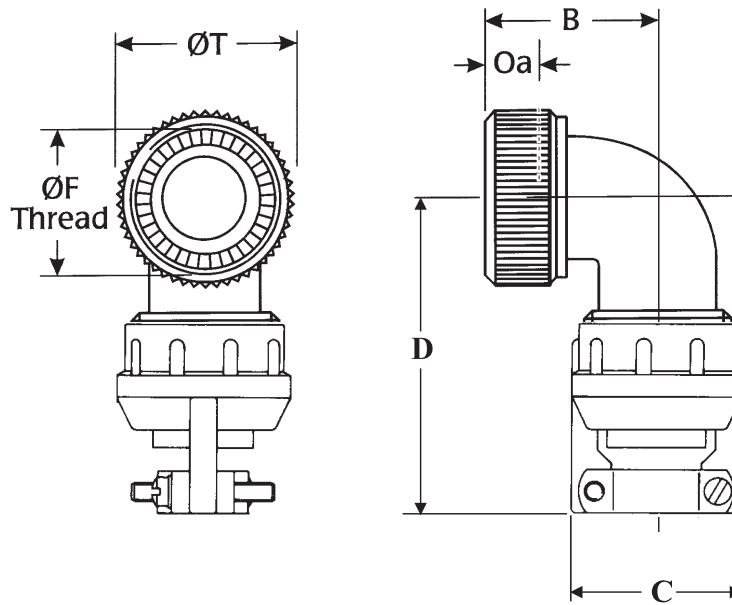


Metric
Imperial

How to order:
 CIRBH - ** - ** - F - F80
 Shell size ————
 Contact arrangement ————

| Shell Size | B Max | C Max | C1 Max | F Thread Dia. Class 2B | N Max | T Max | T1 Max | S Max | Oa Min Overlap Accessory |
|------------|----------------|----------------|-----------------|------------------------|----------------|----------------|----------------|----------------|--------------------------|
| 10SL | 24,00 0.945 | 30,00 1.181 | 100,00 3.937 | 5/8" x 24 UNEF | 42,00 1.654 | 22,00 0.866 | 22,70 0.894 | 5,76 0.227 | 7,00 0.276 |
| 14S | 25,00 0.984 | 30,00 1.181 | 100,00 3.937 | 3/4" x 20 UNEF | 42,00 1.654 | 25,00 0.984 | 27,50 1.083 | 8,10 0.319 | 7,00 0.276 |
| 16S | 27,00 1.063 | 30,00 1.181 | 100,00 3.937 | 7/8" x 20 UNEF | 45,00 1.772 | 28,00 1.102 | 30,00 1.181 | 11,30 0.444 | 7,00 0.276 |
| 16 | 27,00 1.063 | 30,00 1.181 | 100,00 3.937 | 7/8" x 20 UNEF | 45,00 1.772 | 28,00 1.102 | 30,00 1.181 | 11,30 0.444 | 7,00 0.276 |
| 18 | 30,10 1.224 | 35,00 1.378 | 100,00 3.937 | 1" x 20 UNEF | 53,00 2.087 | 31,00 1.220 | 33,00 1.299 | 14,45 0.569 | 7,00 0.276 |
| 20 | 33,00 1.299 | 35,00 1.378 | 100,00 3.937 | 1 1/8" x 18 UNEF | 53,00 2.087 | 35,00 1.378 | 37,50 1.476 | 16,00 0.632 | 7,00 0.276 |
| 22 | 33,10 1.303 | 35,00 1.378 | 100,00 3.937 | 1 1/4" x 18 UNEF | 53,00 2.087 | 38,00 1.496 | 37,50 1.476 | 16,00 0.632 | 7,00 0.276 |
| 24 | 37,90 1.492 | 40,00 1.575 | 100,00 3.937 | 1 3/8" x 18 UNEF | 58,00 2.283 | 41,00 1.614 | 43,30 1.705 | 19,23 0.757 | 7,00 0.276 |
| 28 | 37,10 1.461 | 40,00 1.575 | 100,00 3.937 | 1 5/8" x 18 UNEF | 58,00 2.283 | 48,00 1.890 | 43,30 1.705 | 19,23 0.757 | 7,00 0.276 |
| 32 | 43,10 1.697 | 45,00 1.772 | 110,00 4.331 | 1 7/8" x 16 UN | 66,00 2.598 | 54,00 2.126 | 51,70 2.035 | 23,98 0.944 | 7,00 0.276 |
| 36 | 45,90 1.807 | 50,00 1.969 | 110,00 4.331 | 2 1/16" x 16 UNS | 69,00 2.717 | 61,00 2.402 | 58,00 2.283 | 31,93 1.257 | 7,00 0.276 |
| 40 | 49,00 1.929 | 54,60 2.150 | 100,00 3.937 | 2 5/16" x 16 UN | 85,50 3.366 | 67,00 2.638 | 65,00 2.559 | 35,10 1.382 | 7,00 0.276 |

**LOCKING 90° OUTLET WITH SEALED CABLE CLAMP
TYPE 'FC'
STYLE: CIRBH - ** - ** - FC - F80**



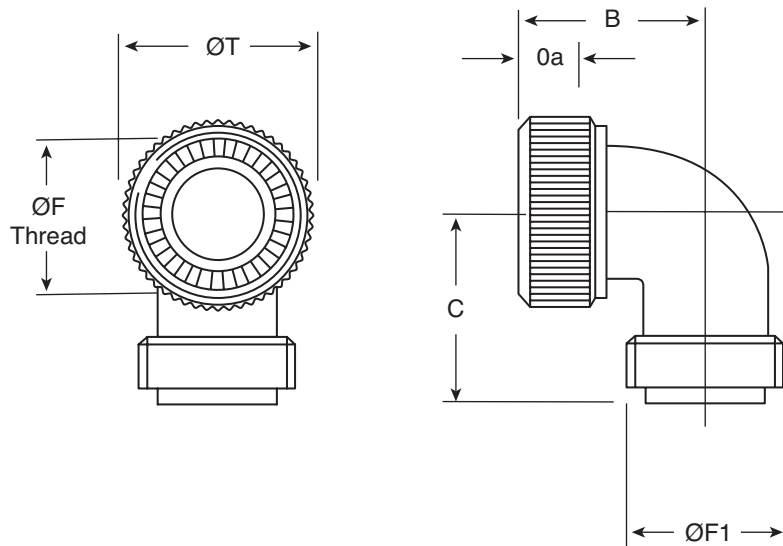
Metric
Imperial

How to order:

CIRBH - ** - ** - FC - F80
 Shell size _____
 Contact arrangement _____

| Shell Size | B Max | C Max | D Max | F Thread Dia. Class 2B | T Max | Oa Min Overlap Accessory |
|------------|-----------------------|-----------------------|------------------------|------------------------|-----------------------|--------------------------|
| 10SL | 24,00 0.945 | 23,80 0.937 | 61,00 2.402 | 5/8" x 24 UNEF | 22,00 0.866 | 7,00 0.276 |
| 14S | 25,00 0.984 | 26,97 1.062 | 61,00 2.402 | 3/4" x 20 UNEF | 25,00 0.984 | 7,00 0.276 |
| 16S | 27,00 1.063 | 30,18 1.188 | 61,00 2.402 | 7/8" x 20 UNEF | 28,00 1.102 | 7,00 0.276 |
| 16 | 27,00 1.063 | 30,18 1.188 | 61,00 2.402 | 7/8" x 20 UNEF | 28,00 1.102 | 7,00 0.276 |
| 18 | 30,10 1.224 | 33,32 1.312 | 68,00 2.677 | 1" x 20 UNEF | 31,00 1.220 | 7,00 0.276 |
| 20 | 33,00 1.299 | 39,67 1.562 | 68,00 2.677 | 1 1/8" x 18 UNEF | 35,00 1.378 | 7,00 0.276 |
| 22 | 33,10 1.303 | 39,67 1.562 | 68,00 2.677 | 1 1/4" x 18 UNEF | 38,00 1.496 | 7,00 0.276 |
| 24 | 37,90 1.492 | 44,45 1.750 | 76,00 2.992 | 1 3/8" x 18 UNEF | 41,00 1.614 | 7,00 0.276 |
| 28 | 37,10 1.461 | 44,45 1.750 | 76,00 2.992 | 1 5/8" x 18 UNEF | 48,00 1.890 | 7,00 0.276 |
| 32 | 43,10 1.697 | 57,15 2.250 | 87,00 3.425 | 1 7/8" x 16 UN | 54,00 2.126 | 7,00 0.276 |
| 36 | 45,90 1.807 | 60,33 2.375 | 98,00 3.858 | 2 1/16" x 16 UNS | 61,00 2.402 | 7,00 0.276 |
| 40 | 49,00 1.929 | 66,68 2.625 | 103,00 4.055 | 2 5/16" x 16 UN | 67,00 2.638 | 7,00 0.276 |

**LOCKING 90° OUTLET WITH GROMMET ACCESSORY
TYPE 'FT'
STYLE: CIRBH - ** - ** - FT - F80**



Metric
Imperial

How to order:

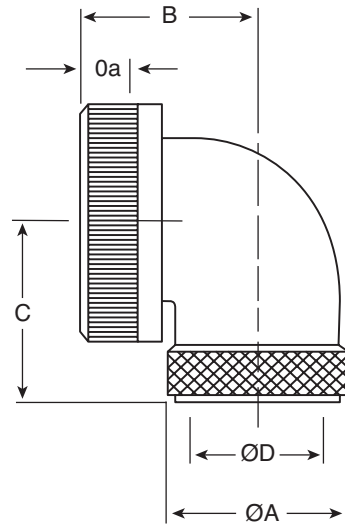
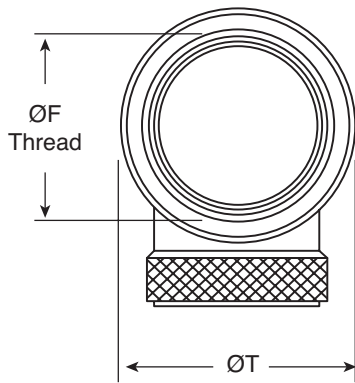
CIRBH - ** - ** - FT - F80

Shell size ————

Contact arrangement ————

| Shell Size | B Max | C Max | F Thread Dia. Class 2B | F1 Thread Dia. Class 2A | T Max | Oa Min Overlap Accessory |
|------------|-----------------------|-----------------------|------------------------|-------------------------|-----------------------|--------------------------|
| 10SL | 24,00 0.945 | 30,00 1.181 | 5/8" x 24 UNEF | 5/8" x 24 UNEF | 22,00 0.866 | 7,00 0.276 |
| 14S | 25,00 0.984 | 30,00 1.181 | 3/4" x 20 UNEF | 3/4" x 20 UNEF | 25,00 0.984 | 7,00 0.276 |
| 16S | 27,00 1.063 | 30,00 1.181 | 7/8" x 20 UNEF | 7/8" x 20 UNEF | 28,00 1.102 | 7,00 0.276 |
| 16 | 27,00 1.063 | 30,00 1.181 | 7/8" x 20 UNEF | 7/8" x 20 UNEF | 28,00 1.102 | 7,00 0.276 |
| 18 | 30,10 1.224 | 35,00 1.378 | 1" x 20 UNEF | 1" x 20 UNEF | 31,00 1.220 | 7,00 0.276 |
| 20 | 33,10 1.299 | 35,00 1.378 | 1 1/8" x 18 UNEF | 1 3/16" x 18 UNEF | 35,00 1.378 | 7,00 0.276 |
| 22 | 33,10 1.303 | 35,00 1.378 | 1 1/4" x 18 UNEF | 1 3/16" x 18 UNEF | 38,00 1.496 | 7,00 0.276 |
| 24 | 37,90 1.492 | 40,00 1.575 | 1 3/8" x 18 UNEF | 1 7/16" x 18 NEF | 41,00 1.614 | 7,00 0.276 |
| 28 | 37,10 1.461 | 40,00 1.575 | 1 5/8" x 18 UNEF | 1 7/16" x 18 NEF | 48,00 1.890 | 7,00 0.276 |
| 32 | 43,10 1.697 | 45,00 1.772 | 1 7/8" x 16 UN | 1 3/4" x 18 UNS | 54,00 2.126 | 7,00 0.276 |
| 36 | 45,90 1.807 | 50,00 1.969 | 2 1/16" x 16 UNS | 2" x 18 UNS | 61,00 2.402 | 7,00 0.276 |
| 40 | 49,00 1.929 | 54,60 2.150 | 2 5/16" x 16 UN | 2 1/4" x 16 UN | 67,00 2.638 | 7,00 0.276 |

**LOCKING 90° OUTLET RFI SHIELDED WITH GROMMET ACCESSORY
TYPE 'FM'
STYLE: CIRBH - ** - ** - FM - F80**



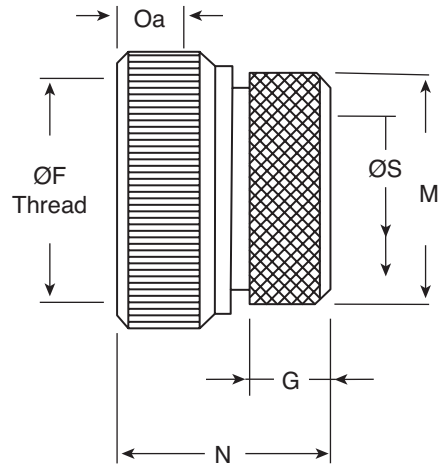
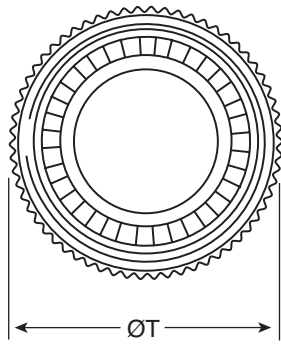
Metric
Imperial

How to order:

CIRBH - ** - ** - FM - F80
 Shell size ————
 Contact arrangement ————

| Shell Size | A Max | B Max | C Max | D Max | F Thread Dia. Class 2B | T Max | Oa Min Overlap Accessory |
|------------|-----------------------|-----------------------|-----------------------|-----------------------|------------------------|-----------------------|--------------------------|
| 10SL | 15,90 0.626 | 24,00 0.945 | 30,00 1.181 | 7,77 0.306 | 5/8" x 24 UNEF | 22,00 0.866 | 7,00 0.276 |
| 14S | 19,10 0.764 | 25,00 0.984 | 30,00 1.181 | 10,36 0.408 | 3/4" x 20 UNEF | 25,00 0.984 | 7,00 0.276 |
| 16S | 22,30 0.878 | 27,00 1.063 | 30,00 1.181 | 13,01 0.512 | 7/8" x 20 UNEF | 28,00 1.102 | 7,00 0.276 |
| 16 | 22,30 0.878 | 27,00 1.063 | 30,00 1.181 | 13,01 0.512 | 7/8" x 20 UNEF | 28,00 1.102 | 7,00 0.276 |
| 18 | 25,50 1.004 | 30,10 1.224 | 35,00 1.378 | 15,14 0.596 | 1" x 20 UNEF | 31,00 1.220 | 7,00 0.276 |
| 20 | 30,20 1.189 | 33,00 1.299 | 35,00 1.378 | 18,10 0.713 | 1 1/8" x 18 UNEF | 35,00 1.378 | 7,00 0.276 |
| 22 | 30,20 1.189 | 33,10 1.303 | 35,00 1.378 | 21,62 0.851 | 1 1/4" x 18 UNEF | 38,00 1.496 | 7,00 0.276 |
| 24 | 36,60 1.441 | 37,90 1.492 | 40,00 1.575 | 25,10 0.988 | 1 3/8" x 18 UNEF | 41,00 1.614 | 7,00 0.276 |
| 28 | 36,60 1.441 | 37,10 1.461 | 40,00 1.575 | 30,38 1.196 | 1 5/8" x 18 UNEF | 48,00 1.890 | 7,00 0.276 |
| 32 | 44,50 1.752 | 43,10 1.697 | 45,00 1.772 | 36,48 1.436 | 1 7/8" x 16 UN | 54,00 2.126 | 7,00 0.276 |
| 36 | 50,90 2.004 | 45,90 1.807 | 50,00 1.969 | 40,67 1.601 | 2 1/16" x 16 UNS | 61,00 2.402 | 7,00 0.276 |
| 40 | 57,20 2.252 | 49,00 1.929 | 54,60 2.150 | 48,50 1.909 | 2 5/16" x 16 UN | 67,00 2.638 | 7,00 0.276 |

LOCKING HEATSHRINK ADAPTOR WITH GROMMET ACCESSORY
TYPE 'G'
STYLE: CIRBH - ** - ** - HSA - F80

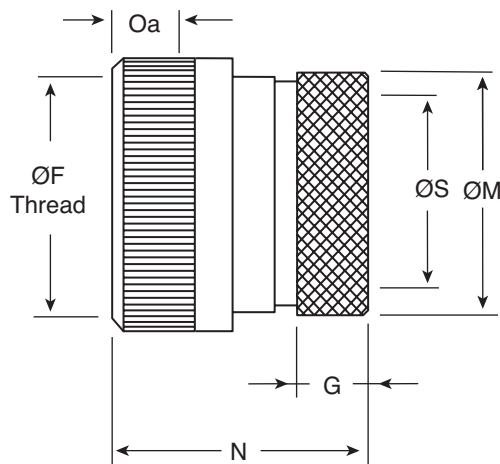
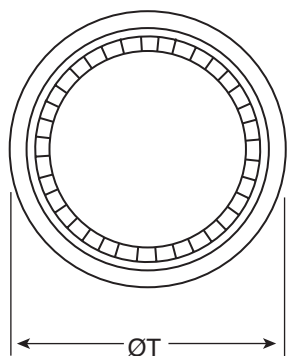


Metric
Imperial

How to order:
 CIRBH - ** - ** - HSA - F80
 Shell size ————
 Contact arrangement ————

| Shell Size | F Thread Dia. Class 2B | G Max | M Max | N Max | S Min | T Max | Oa Min Overlap Accessory |
|------------|------------------------|-----------------------|-----------------------|-----------------------|-----------------------|-----------------------|--------------------------|
| 10SL | 5/8" x 24 UNEF | 8,20 0.323 | 15,70 0.618 | 28,46 1.120 | 7,70 0.303 | 22,00 0.87 | 7,00 0.276 |
| 14S | 3/4" x 20 UNEF | 8,20 0.323 | 19,30 0.760 | 28,46 1.120 | 10,60 0.417 | 25,00 0.99 | 7,00 0.276 |
| 16S | 7/8" x 20 UNEF | 8,20 0.323 | 24,10 0.949 | 28,46 1.120 | 13,50 0.532 | 28,00 1.11 | 7,00 0.276 |
| 16 | 7/8" x 20 UNEF | 8,00 0.315 | 24,10 0.949 | 32,26 1.270 | 13,50 0.532 | 28,00 1.11 | 7,00 0.276 |
| 18 | 1" x 20 UNEF | 8,00 0.315 | 24,10 0.949 | 32,26 1.270 | 14,60 0.575 | 31,00 1.22 | 7,00 0.276 |
| 20 | 1 1/8" x 18 UNEF | 9,20 0.362 | 29,80 1.173 | 35,80 1.409 | 18,70 0.736 | 35,00 1.38 | 7,00 0.276 |
| 22 | 1 1/4" x 18 UNEF | 9,20 0.362 | 29,80 1.173 | 35,80 1.409 | 20,80 0.819 | 38,00 1.50 | 7,00 0.276 |
| 24 | 1 3/8" x 18 UNEF | 9,20 0.362 | 38,00 1.496 | 35,80 1.409 | 24,60 0.969 | 41,00 1.62 | 7,00 0.276 |
| 28 | 1 5/8" x 18 UNEF | 9,20 0.362 | 38,00 1.496 | 35,76 1.408 | 27,00 1.063 | 48,00 1.89 | 7,00 0.276 |
| 32 | 1 7/8" x 16 UN | 11,70 0.461 | 48,00 1.890 | 38,26 1.506 | 33,30 1.311 | 54,00 2.13 | 7,00 0.276 |
| 36 | 2 1/16" x 16 UNS | 11,70 0.461 | 48,00 1.890 | 39,26 1.546 | 38,50 1.516 | 61,00 2.40 | 7,00 0.276 |
| 40 | 2 5/16" x 16 UN | 12,10 0.476 | 57,95 2.281 | 38,30 1.508 | 48,10 1.894 | 67,00 2.638 | 7,00 0.276 |

**LOCKING RFI SHIELDED ADAPTOR WITH GROMMET ACCESSORY
TYPE 'GM'
STYLE: CIRBH - ** - ** - LHSA - F80**

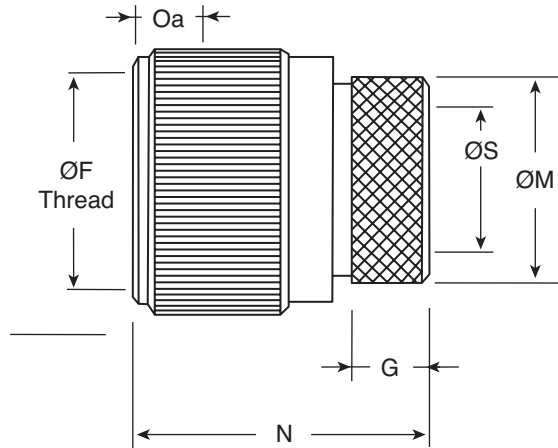
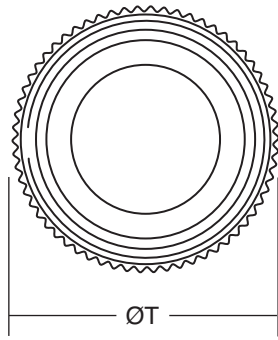


Metric
Imperial

How to order:
CIRBH - ** - ** - LHSA - F80
Shell size ————
Contact arrangement ————

| Shell Size | F Thread Dia. Class 2B | G Max | M Max | N Max | S Min | T Max | Oa Min Overlap Accessory |
|------------|------------------------|-----------------------|-----------------------|-----------------------|-----------------------|-----------------------|--------------------------|
| 10SL | 5/8" x 24 UNEF | 12,40 0.488 | 15,70 0.618 | 32,26 1.270 | 8,60 0.339 | 22,00 0.87 | 7,00 0.276 |
| 14S | 3/4" x 20 UNEF | 12,40 0.488 | 19,30 0.760 | 32,26 1.270 | 11,10 0.437 | 25,00 0.984 | 7,00 0.276 |
| 16S | 7/8" x 20 UNEF | 12,40 0.488 | 24,10 0.949 | 32,26 1.270 | 14,30 0.563 | 28,00 1.102 | 7,00 0.276 |
| 16 | 7/8" x 20 UNEF | 12,40 0.488 | 24,10 0.949 | 36,06 1.420 | 14,30 0.563 | 28,00 1.102 | 7,00 0.276 |
| 18 | 1" x 20 UNEF | 12,40 0.488 | 24,10 0.949 | 36,06 1.420 | 16,70 0.657 | 31,00 1.22 | 7,00 0.276 |
| 20 | 1 1/8" x 18 UNEF | 12,40 0.488 | 29,80 1.173 | 38,60 1.520 | 19,80 0.780 | 35,00 1.38 | 7,00 0.276 |
| 22 | 1 1/4" x 18 UNEF | 12,40 0.488 | 29,80 1.173 | 38,60 1.520 | 21,34 0.840 | 38,00 1.50 | 7,00 0.276 |
| 24 | 1 3/8" x 18 UNEF | 12,40 0.488 | 38,00 1.496 | 38,60 1.520 | 25,40 1.000 | 41,00 1.62 | 7,00 0.276 |
| 28 | 1 5/8" x 18 UNEF | 12,40 0.488 | 38,00 1.496 | 38,56 1.518 | 30,13 1.186 | 48,00 1.89 | 7,00 0.276 |
| 32 | 1 7/8" x 16 UN | 12,10 0.476 | 48,00 1.890 | 38,26 1.506 | 36,73 1.446 | 54,00 2.13 | 7,00 0.276 |
| 36 | 2 1/16" x 16 UNS | 12,10 0.476 | 48,00 1.890 | 39,26 1.546 | 41,00 1.614 | 61,00 2.40 | 7,00 0.276 |
| 40 | 2 5/16" x 16 UN | 12,10 0.476 | 57,95 2.281 | 38,30 1.508 | 48,10 1.894 | 67,00 2.638 | 7,00 0.276 |

NON-LOCKING HEATSHRINK ADAPTOR, GROMMET & FOLLOWER ACCESSORY
TYPE 'GS'
STYLE: CIRBH - ** - ** - HSAS - F80



Metric
 Imperial

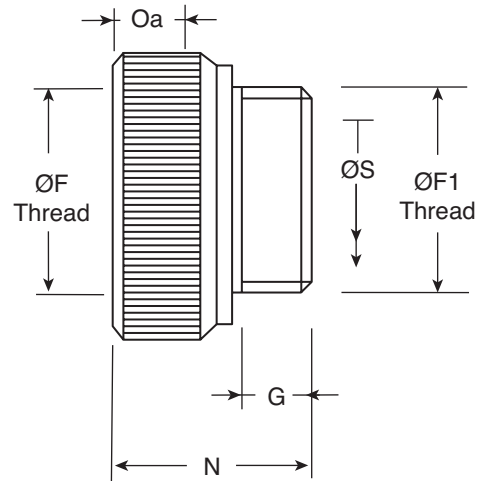
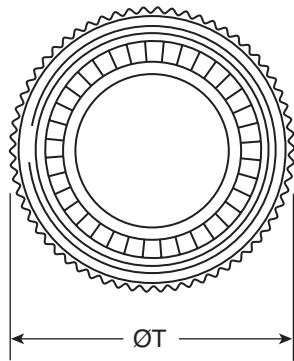
How to order:

CIRBH - ** - ** - HSAS - F80
 Shell size _____
 Contact arrangement _____

| Shell Size | F Thread Dia. Class 2B | M Max | G Max | N Max | S Min | T Max | Oa Min Overlap Accessory |
|------------|------------------------|-----------------------|-----------------------|-----------------------|-----------------------|-----------------------|--------------------------|
| *10SL | - | - | - | - | - | - | - |
| *14S | - | - | - | - | - | - | - |
| *16S | - | - | - | - | - | - | - |
| *16 | - | - | - | - | - | - | - |
| 18 | 1" x 20 UNEF | 24,10 0.949 | 11,90 0.469 | 45,30 1.783 | 14,70 0.579 | 28,60 1.126 | 7,34 0.289 |
| 20 | 1 1/8" x 18 UNEF | 29,80 1.173 | 11,90 0.469 | 51,10 2.012 | 18,70 0.736 | 31,85 1.254 | 7,34 0.289 |
| 22 | 1 1/4" x 18 UNEF | 29,80 1.173 | 11,90 0.469 | 51,10 2.012 | 20,90 0.823 | 35,03 1.379 | 7,14 0.281 |
| 24 | 1 3/8" x 18 UNEF | 38,00 1.496 | 11,90 0.469 | 51,10 2.012 | 24,70 0.972 | 39,10 1.539 | 7,14 0.281 |
| 28 | 1 5/8" x 18 UNEF | 38,00 1.496 | 11,90 0.469 | 51,10 2.012 | 27,10 1.067 | 45,60 1.795 | 6,34 0.250 |
| 32 | 1 7/8" x 16 UN | 48,00 1.890 | 11,90 0.469 | 51,10 2.012 | 33,40 1.315 | 50,80 2.000 | 7,40 0.291 |
| 36 | 2 1/16" x 16 UNS | 48,00 1.890 | 11,90 0.469 | 51,10 2.012 | 38,60 1.520 | 57,45 2.262 | 7,40 0.291 |
| 40 | 2 5/16" x 16 UN | 57,95 2.281 | 11,90 0.469 | 51,10 2.012 | 48,10 1.894 | 63,10 2.484 | 7,40 0.291 |

* Please consult TE for availability.

LOCKING ARMoured CONDUIT ADAPTOR WITH GROMMET ACCESSORY
TYPE 'H'
STYLE: CIRBH - ** - ** - ACA - F80



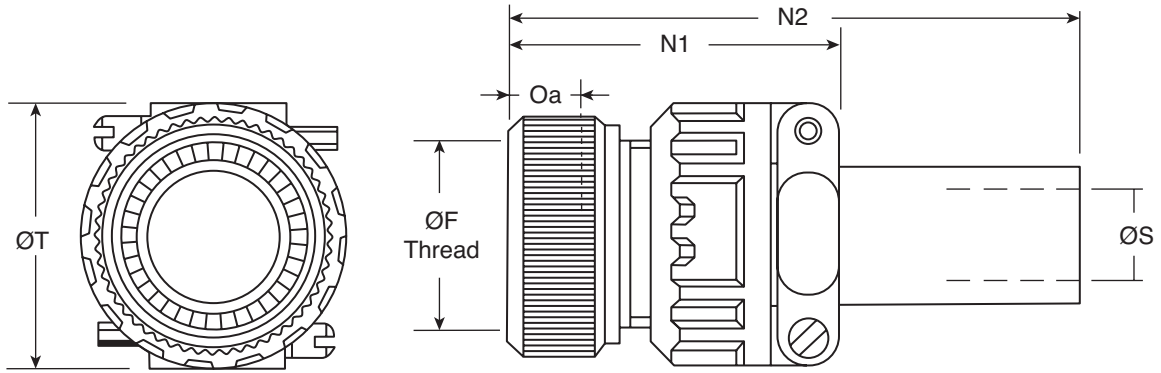
Metric
Imperial

How to order:

CIRBH - ** - ** - ACA - F80
 Shell size ————
 Contact arrangement ————

| Shell Size | F Thread Dia. Class 2B | F1 Thread Dia. Class 2A | G Max | N Max | S Min | T Max | Oa Min Overlap Accessory |
|-------------|------------------------|-------------------------|-----------------------|-----------------------|-----------------------|-----------------------|--------------------------|
| 10SL | 5/8" x 24 UNEF | 5/8" x 24 UNEF | 9,50 0.374 | 27,90 1.098 | 8,20 0.323 | 22,00 0.87 | 7,00 0.276 |
| 14S | 3/4" x 20 UNEF | 3/4" x 20 UNEF | 9,50 0.374 | 27,90 1.098 | 11,10 0.437 | 25,00 0.99 | 7,00 0.276 |
| 16S | 7/8" x 20 UNEF | 7/8" x 20 UNEF | 9,50 0.374 | 27,90 1.098 | 14,30 0.563 | 28,00 1.11 | 7,00 0.276 |
| 16 | 7/8" x 20 UNEF | 7/8" x 20 UNEF | 9,50 0.374 | 27,90 1.098 | 14,30 0.563 | 28,00 1.11 | 7,00 0.276 |
| 18 | 1" x 20 UNEF | 1" x 20 UNEF | 9,50 0.374 | 29,90 1.177 | 16,70 0.657 | 31,00 1.22 | 7,00 0.276 |
| 20 | 1 1/8" x 18 UNEF | 1 2/16" x 18 NEF | 9,50 0.374 | 29,90 1.177 | 19,80 0.780 | 35,00 1.38 | 7,00 0.276 |
| 22 | 1 1/4" x 18 UNEF | 1 3/16" x 18 NEF | 9,50 0.374 | 29,90 1.177 | 19,80 0.780 | 38,00 1.50 | 7,00 0.276 |
| 24 | 1 3/8" x 18 UNEF | 1 7/16" x 18 NEF | 9,50 0.374 | 29,90 1.177 | 25,40 1.000 | 41,00 1.62 | 7,00 0.276 |
| 28 | 1 5/8" x 18 UNEF | 1 7/16" x 18 NEF | 9,50 0.374 | 30,00 1.181 | 27,00 1.063 | 48,00 1.89 | 7,00 0.276 |
| 32 | 1 7/8" x 16 UN | 1 3/4" x 18 NS | 11,00 0.433 | 28,90 1.138 | 32,50 1.280 | 54,00 2.13 | 7,00 0.276 |
| 36 | 2 1/16" x 16 UNS | 2" x 18 NS | 11,80 0.464 | 28,90 1.138 | 35,70 1.406 | 61,00 2.40 | 7,00 0.276 |
| 40 | 2 5/16" x 16 UN | 2 1/4" x 16 UN | 11,80 0.464 | 28,90 1.138 | 45,00 1.772 | 67,00 2.638 | 7,00 0.276 |

**LOCKING CABLE CLAMP WITH BUSHING
TYPE 'HC'
STYLE: CIRBH - ** - ** - HC - F80**



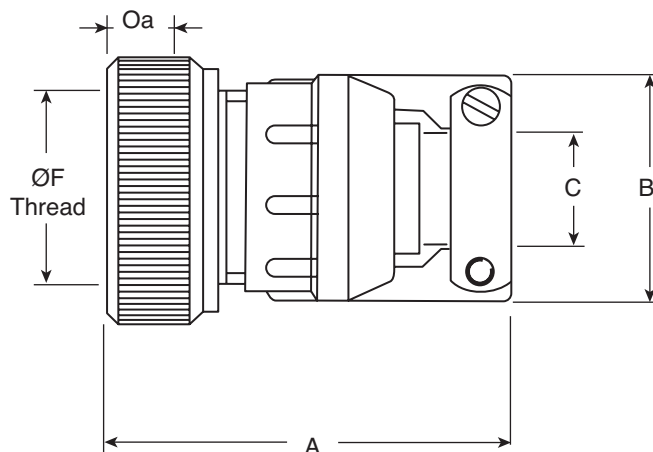
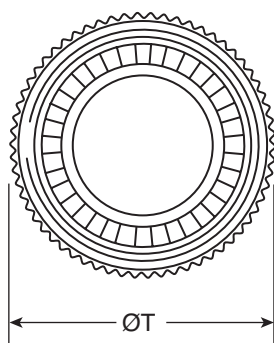
Metric
Imperial

Note: Clamp & bush are available separately.
See pages 83 & 84 respectively.

How to order:
CIRBH - ** - ** - HC - F80
Shell size ————
Contact arrangement ————

| Shell Size | F Thread Dia. Class 2B | N1 Max | N2 Max | S | T Max | Oa Min Overlap Accessory |
|------------|------------------------|-----------------------|-----------------------|-----------------------|----------------------|--------------------------|
| 10SL | 5/8" x 24 UNEF | 40,10 1.58 | 100,10 3.94 | 5.59 0.220 | 22,70 0.90 | 7,00 0.276 |
| 14S | 3/4" x 20 UNEF | 41,70 1.65 | 96,70 3.81 | 7.92 0.312 | 27,50 1.09 | 7,00 0.276 |
| 16S | 7/8" x 20 UNEF | 43,50 1.72 | 98,50 3.88 | 11.10 0.437 | 30,00 1.19 | 7,00 0.276 |
| 16 | 7/8" x 20 UNEF | 43,50 1.72 | 93,50 3.68 | 11.10 0.437 | 30,00 1.19 | 7,00 0.276 |
| 18 | 1" x 20 UNEF | 50,00 1.97 | 95,00 3.74 | 14.27 0.562 | 33,00 1.30 | 7,00 0.276 |
| 20 | 1 1/8" x 18 UNEF | 45,50 1.80 | 90,50 3.57 | 15.88 0.625 | 37,50 1.48 | 7,00 0.276 |
| 22 | 1 1/4" x 18 UNEF | 45,50 1.80 | 90,50 3.57 | 15.88 0.625 | 37,50 1.48 | 7,00 0.276 |
| 24 | 1 3/8" x 18 UNEF | 47,50 1.87 | 77,50 3.05 | 19.05 0.750 | 43,30 1.71 | 7,00 0.276 |
| 28 | 1 5/8" x 18 UNEF | 47,60 1.88 | 77,60 3.06 | 19.05 0.750 | 43,30 1.71 | 7,00 0.276 |
| 32 | 1 7/8" x 16 UN | 46,50 1.83 | 76,50 3.02 | 23.80 0.937 | 51,70 2.04 | 7,00 0.276 |
| 36 | 2 1/16" x 16 UNS | 46,40 1.826 | 76,40 3.01 | 31.75 1.250 | 58,00 2.29 | 7,00 0.276 |
| 40 | 2 5/16" x 16 UN | 59,80 2.35 | 73,80 2.90 | 34.92 1.375 | 65,00 2.56 | 7,00 0.276 |

LOCKING SEALED CABLE CLAMP
TYPE 'HD'
STYLE: CIRBH - ** - ** - HD - F80

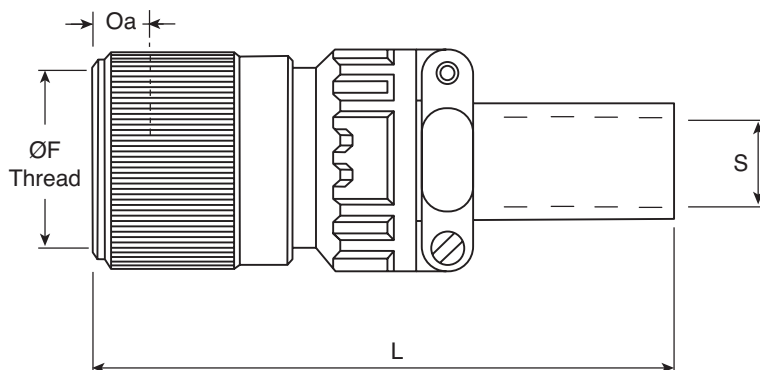
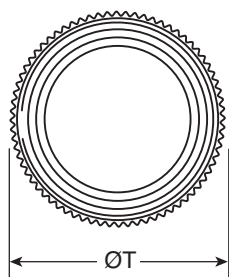


Metric
Imperial

How to order:
 CIRBH - ** - ** - HD - F80
 Shell size _____
 Contact arrangement _____

| Shell Size | A Max | B | C | | F Thread Dia. Class 2B | T Max | Oa Min Overlap Accessory |
|------------|-----------------------|-----------------------|-----------------------|-----------------------|------------------------|-----------------------|--------------------------|
| | | | Max | Min | | | |
| 10SL | 58,87 2.318 | 23,80 0.937 | 7,93 0.312 | 2,38 0.094 | 5/8" x 24 UNEF | 22,00 0.866 | 7,00 0.276 |
| 14S | 58,87 2.318 | 26,97 1.062 | 11,12 0.438 | 6,35 0.250 | 3/4" x 20 UNEF | 25,00 0.984 | 7,00 0.276 |
| 16S | 58,87 2.318 | 30,18 1.188 | 13,48 0.531 | 7,92 0.312 | 7/8" x 20 UNEF | 28,00 0.984 | 7,00 0.276 |
| 16 | 58,87 2.318 | 30,18 1.188 | 13,48 0.531 | 7,92 0.312 | 7/8" x 20 UNEF | 28,00 0.984 | 7,00 0.276 |
| 18 | 62,44 2.458 | 33,32 1.312 | 15,87 0.625 | 9,53 0.375 | 1" x 20 UNEF | 31,00 1.220 | 7,00 0.276 |
| 20 | 62,44 2.458 | 39,21 1.562 | 19,00 0.748 | 12,70 0.500 | 1 1/8" x 18 UNEF | 35,00 1.378 | 7,00 0.276 |
| 22 | 62,44 2.458 | 39,21 1.562 | 19,00 0.748 | 12,70 0.500 | 1 1/4" x 18 UNEF | 38,00 1.496 | 7,00 0.276 |
| 24 | 65,61 2.583 | 44,45 1.750 | 23,80 0.937 | 15,09 0.594 | 1 3/8" x 18 UNEF | 41,00 1.614 | 7,00 0.276 |
| 28 | 65,71 2.587 | 44,45 1.750 | 23,80 0.937 | 15,09 0.594 | 1 5/8" x 18 UNEF | 48,00 1.890 | 7,00 0.276 |
| 32 | 70,96 2.794 | 57,15 2.250 | 31,75 1.250 | 23,83 0.938 | 1 7/8" x 16 UN | 54,00 2.126 | 7,00 0.276 |
| 36 | 77,31 3.044 | 60,33 2.375 | 35,00 1.378 | 24,61 0.969 | 2 1/16" x 16 UNS | 61,00 2.402 | 7,00 0.276 |
| 40 | 77,31 3.044 | 66,68 2.625 | 41,25 1.624 | 30,18 1.188 | 2 5/16" x 16 UN | 67,00 2.638 | 7,00 0.276 |

NON-LOCKING CABLE CLAMP WITH BUSHING
TYPE 'JE'
STYLE: CIRBH - ** - ** - JE - F80



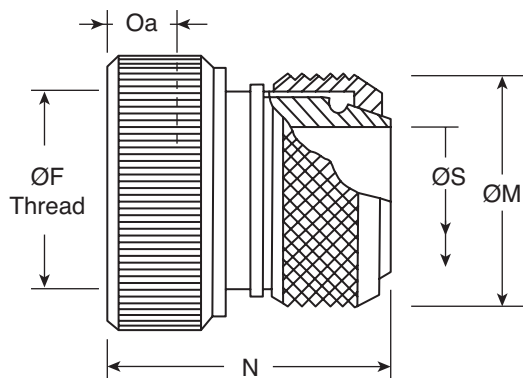
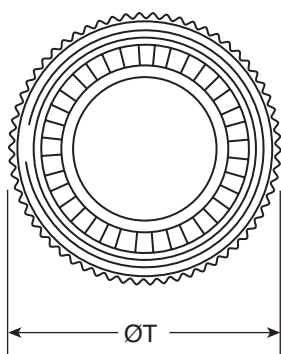
Metric
Imperial

How to order:

CIRBH - ** - ** - JE - F80
 Shell size ————
 Contact arrangement ————

| Shell Size | F Thread dia. Class 2B | L Max | S | T Max | Oa Min Overlap Accessory |
|------------|------------------------|-----------------------|-----------------------|-----------------------|--------------------------|
| 10SL | 5/8" x 24 UNEF | 99,13 3.903 | 5.59 0.220 | 19,10 0.752 | 7,00 0.276 |
| 14S | 3/4" x 20 UNEF | 95,96 3.778 | 7.92 0.312 | 22,10 0.870 | 7,00 0.276 |
| 16S | 7/8" x 20 UNEF | 92,78 6.653 | 11.10 0.437 | 25,50 1.004 | 7,00 0.276 |
| 16 | 7/8" x 20 UNEF | 94,28 3.712 | 11.10 0.437 | 25,50 1.004 | 7,00 0.276 |
| 18 | 1" x 20 UNEF | 97,51 3.839 | 14.27 0.562 | 28,60 1.126 | 7,34 0.289 |
| 20 | 1 1/8" x 18 UNEF | 94,33 3.714 | 15.88 0.625 | 31,85 1.254 | 7,34 0.289 |
| 22 | 1 1/4" x 18 UNEF | 94,33 3.714 | 15.88 0.625 | 35,03 1.379 | 7,34 0.289 |
| 24 | 1 3/8" x 18 UNEF | 94,01 3.701 | 19.05 0.750 | 39,10 1.539 | 7,14 0.281 |
| 28 | 1 5/8" x 18 UNEF | 94,01 3.701 | 19.05 0.750 | 45,60 1.795 | 6,34 0.250 |
| 32 | 1 7/8" x 16 UN | 90,83 3.576 | 23.80 0.937 | 50,80 2.000 | 7,40 0.291 |
| 36 | 2 1/16" x 16 UNS | 87,67 3.452 | 31.75 1.250 | 57,45 2.262 | 7,40 0.291 |
| 40 | 2 5/16" x 16 UN | 84,43 3.324 | 34.92 1.375 | 63,10 2.484 | 6,34 0.250 |

**LOCKING SCREENED CABLE ADAPTOR
TYPE 'M'
STYLE: CIRBH - ** - ** - SCA - F80**



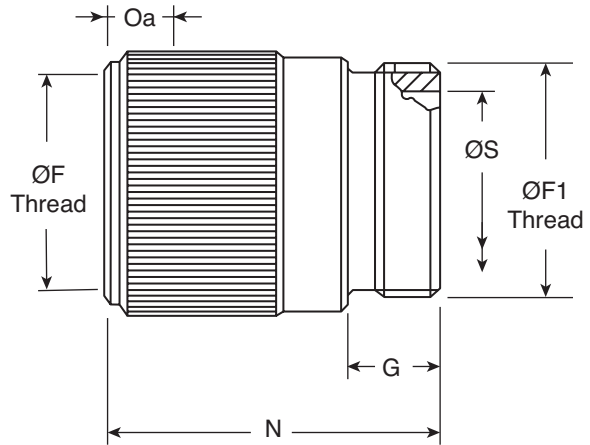
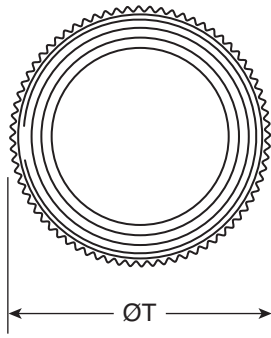
Metric
Imperial

How to order:

CIRBH - ** - ** - SCA - F80
 Shell size ————
 Contact arrangement ————

| Shell Size | F Thread Dia. Class 2B | M Max | N Max | S Min | T Max | Oa Min Overlap Accessory |
|------------|------------------------|-----------------------|-----------------------|-----------------------|-----------------------|--------------------------|
| 10SL | 5/8" x 24 UNEF | 19,00 0.748 | 31,30 0.812 | 8,60 0.339 | 22,00 0.87 | 7,00 0.276 |
| 14S | 3/4" x 20 UNEF | 22,50 0.886 | 33,90 1.335 | 10,60 0.417 | 25,00 0.99 | 7,00 0.276 |
| 16S | 7/8" x 20 UNEF | 25,50 1.004 | 33,90 1.335 | 13,50 0.532 | 28,00 1.11 | 7,00 0.276 |
| 16 | 7/8" x 20 UNEF | 25,50 1.004 | 33,90 1.335 | 13,50 0.532 | 28,00 1.11 | 7,00 0.276 |
| 18 | 1" x 20 UNEF | 25,50 1.004 | 36,90 1.453 | 14,60 0.575 | 31,00 1.22 | 7,00 0.276 |
| 20 | 1 1/8" x 18 UNEF | 32,50 1.280 | 36,90 1.453 | 18,50 0.728 | 35,00 1.38 | 7,00 0.276 |
| 22 | 1 1/4" x 18 UNEF | 34,50 1.358 | 36,90 1.453 | 20,80 0.819 | 38,00 1.50 | 7,00 0.276 |
| 24 | 1 3/8" x 18 UNEF | 38,50 1.516 | 36,90 1.453 | 24,60 0.969 | 41,00 1.62 | 7,00 0.276 |
| 28 | 1 5/8" x 18 UNEF | 41,50 1.634 | 35,90 1.413 | 27,00 1.063 | 48,00 1.89 | 7,00 0.276 |
| 32 | 1 7/8" x 16 UN | 48,50 1.910 | 35,90 1.413 | 33,30 1.311 | 54,00 2.13 | 7,00 0.276 |
| 36 | 2 1/16" x 16 UNS | 55,50 2.185 | 35,90 1.413 | 38,50 1.516 | 61,00 2.40 | 7,00 0.276 |
| 40 | 2 5/16" x 16 UN | 62,50 2.461 | 35,90 1.413 | 45,00 1.772 | 67,00 2.638 | 7,00 0.276 |

**NON-LOCKING CONDUIT ADAPTOR
TYPE 'R'
STYLE: CIRBH - ** - ** - CCA - F80**



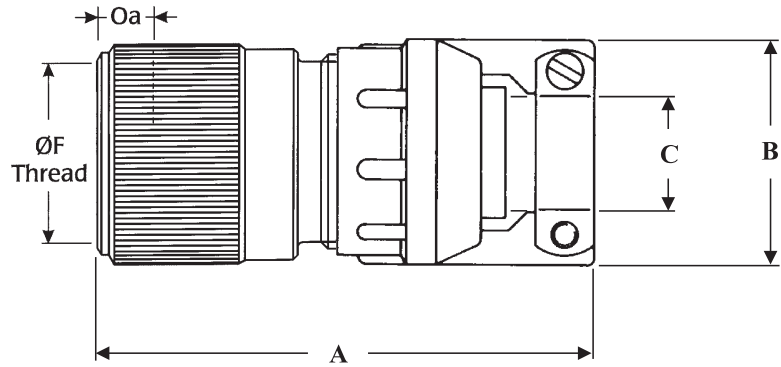
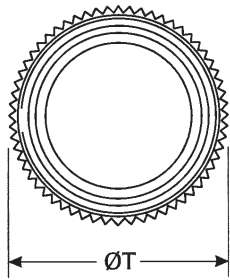
Metric
Imperial

How to order:

CIRBH - ** - ** - CCA - F80
 Shell size ————
 Contact arrangement ————

| Shell Size | F Thread Dia. Class 2B | F1 Thread Dia. Class 2A | G Max | N Max | S Min | T Max | Oa Min Overlap Accessory |
|------------|------------------------|-------------------------|-----------------------|-----------------------|-----------------------|-----------------------|--------------------------|
| 10SL | 5/8" x 24 UNEF | 5/8" x 24 UNEF | 10,10 0.398 | 29,10 1.146 | 8,80 0.346 | 19,10 0.752 | 7,00 0.276 |
| 14S | 3/4" x 20 UNEF | 3/4" x 20 UNEF | 10,10 0.398 | 29,10 1.146 | 11,30 0.445 | 22,10 0.870 | 7,00 0.276 |
| 16S | 7/8" x 20 UNEF | 7/8" x 20 UNEF | 10,10 0.398 | 29,10 1.146 | 18,54 0.730 | 25,50 1.004 | 7,00 0.276 |
| 16 | 7/8" x 20 UNEF | 7/8" x 20 UNEF | 10,10 0.398 | 30,60 1.205 | 18,54 0.730 | 25,50 1.004 | 7,00 0.276 |
| 18 | 1" x 20 UNEF | 1" x 20 UNEF | 10,10 0.398 | 37,00 1.457 | 16,70 0.657 | 28,60 1.126 | 7,34 0.289 |
| 20 | 1 1/8" x 18 UNEF | 1 3/16" x 18 UNEF | 10,10 0.398 | 37,00 1.457 | 19,80 0.780 | 31,85 1.254 | 7,34 0.289 |
| 22 | 1 1/4" x 18 UNEF | 1 3/16" x 18 UNEF | 10,10 0.398 | 37,00 1.457 | 19,80 0.780 | 35,03 1.379 | 7,34 0.289 |
| 24 | 1 3/8" x 18 UNEF | 1 7/16" x 18 UNEF | 11,10 0.437 | 39,85 1.569 | 25,40 1.000 | 39,10 1.539 | 7,14 0.281 |
| 28 | 1 5/8" x 18 UNEF | 1 7/16" x 18 UNEF | 11,10 0.437 | 39,85 1.569 | 30,13 1.186 | 45,60 1.795 | 6,34 0.250 |
| 32 | 1 7/8" x 16 UN | 1 3/4" x 18 UNS | 11,10 0.437 | 39,85 1.569 | 32,50 1.280 | 50,80 2.000 | 7,40 0.291 |
| 36 | 2 1/16" x 16 UNS | 2" x 18 UNS | 11,10 0.437 | 39,85 1.569 | 35,70 1.406 | 57,45 2.262 | 7,40 0.291 |
| 40 | 2 5/16" x 16 UN | 2 1/4" x 16 UN | 11,10 0.437 | 39,85 1.569 | 45,00 1.772 | 63,10 2.484 | 6,34 0.250 |

**NON-LOCKING SEALED CABLE CLAMP
TYPE 'RC'
STYLE: CIRBH - ** - ** - RC - F80**



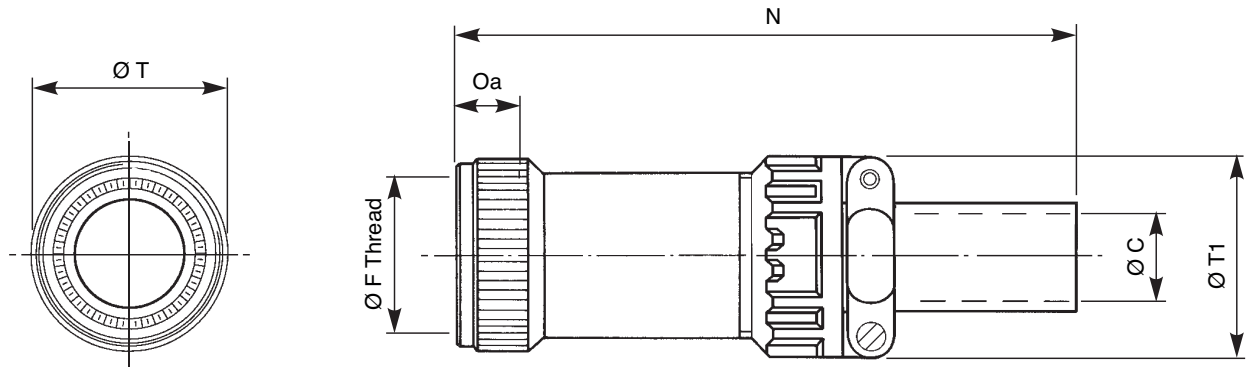
Metric
Imperial

How to order:

CIRBH - ** - ** - RC - F80
 Shell size ————
 Contact arrangement ————

| Shell Size | A Max | B | C | | F Thread Dia. Class 2B | T Max | Oa Min Overlap Accessory |
|------------|----------------|----------------|----------------|----------------|------------------------|----------------|--------------------------|
| | | | Max | Min | | | |
| 10SL | 59,10 2.327 | 23,80 0.937 | 7,93 0.312 | 2,38 0.094 | 5/8" x 24 UNEF | 19,10 0.752 | 7,00 0.276 |
| 14S | 59,10 2.327 | 26,97 1.062 | 11,12 0.438 | 6,35 0.250 | 3/4" x 20 UNEF | 22,10 0.870 | 7,00 0.276 |
| 16S | 59,10 2.327 | 30,18 1.188 | 13,48 0.531 | 7,92 0.312 | 7/8" x 20 UNEF | 25,50 1.004 | 7,00 0.276 |
| 16 | 60,60 2.386 | 30,18 1.188 | 13,48 0.531 | 7,92 0.312 | 7/8" x 20 UNEF | 25,50 1.004 | 7,00 0.276 |
| 18 | 70,00 2.756 | 33,32 1.312 | 15,87 0.625 | 9,53 0.375 | 1" x 20 UNEF | 28,60 1.126 | 7,34 0.289 |
| 20 | 70,00 2.756 | 39,21 1.562 | 19,00 0.748 | 12,70 0.500 | 1 1/8" x 18 UNEF | 31,85 1.254 | 7,34 0.289 |
| 22 | 70,00 2.756 | 39,21 1.562 | 19,00 0.748 | 12,70 0.500 | 1 1/4" x 18 UNEF | 35,03 1.379 | 7,34 0.289 |
| 24 | 75,85 2.986 | 44,45 1.750 | 23,80 0.937 | 15,09 0.594 | 1 3/8" x 18 UNEF | 39,10 1.539 | 7,14 0.281 |
| 28 | 75,85 2.986 | 44,45 1.750 | 23,80 0.937 | 15,09 0.594 | 1 5/8" x 18 UNEF | 45,60 1.795 | 6,34 0.250 |
| 32 | 81,85 3.222 | 57,15 2.250 | 31,75 1.250 | 23,83 0.938 | 1 7/8" x 16 UN | 50,80 2.000 | 7,40 0.291 |
| 36 | 88,85 3.498 | 60,33 2.375 | 35,00 1.378 | 24,61 0.969 | 2 1/16" x 16 UNS | 57,45 2.262 | 7,40 0.291 |
| 40 | 88,85 3.498 | 66,68 2.625 | 41,25 1.624 | 30,18 1.188 | 2 5/16" x 16 UN | 63,10 2.484 | 6,34 0.250 |

LONG BACKSHELL WITH CABLE CLAMP & BUSHING
TYPE 'XLA'
STYLE: CIRBH - ** - ** - XLA - F80

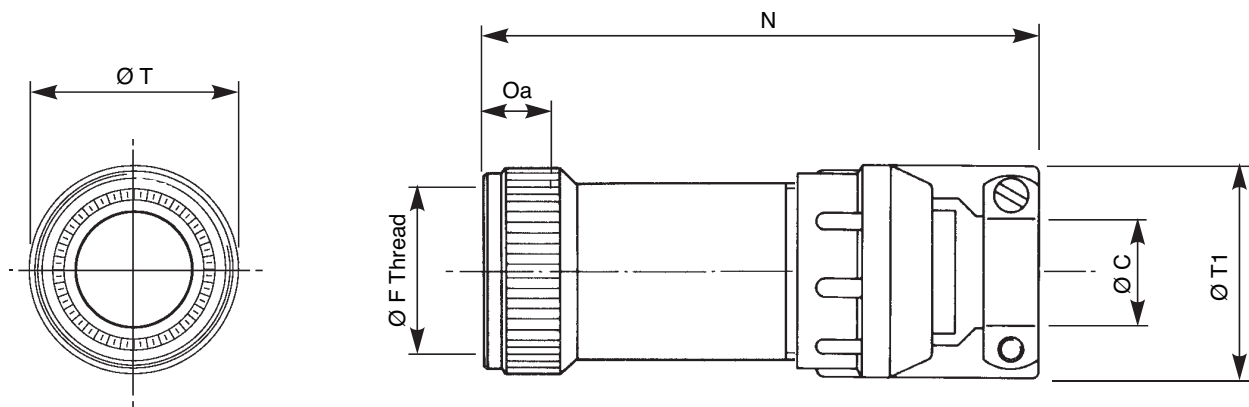


Metric
Imperial

How to order:
 CIRBH - ** - ** - XLA - F80
 Shell size ————
 Contact arrangement ————

| Shell Size | C | F Thread Dia. Class 2B | N | T Max | T1 Max | Oa Min Overlap Accessory |
|-------------|-----------------------|----------------------------|------------------------|-----------------------|-----------------------|--------------------------|
| 10SL | 5,59 0.220 | $\frac{5}{8}$ " x 24 UNEF | 118,35 4.659 | 22,00 0.866 | 22,70 0.894 | 7,00 0.276 |
| 14S | 7,92 0.312 | $\frac{3}{4}$ " x 20 UNEF | 115,18 4.535 | 25,00 0.984 | 27,50 1.083 | 7,00 0.276 |
| 16S | 11,10 0.437 | $\frac{7}{8}$ " x 20 UNEF | 112,00 4.409 | 28,00 1.102 | 30,00 1.181 | 7,00 0.276 |
| 16 | 11,10 0.437 | $\frac{7}{8}$ " x 20 UNEF | 122,30 4.815 | 28,00 1.102 | 30,00 1.181 | 7,00 0.276 |
| 18 | 14,27 0.562 | 1" x 20 UNEF | 119,13 4.690 | 31,00 1.220 | 33,00 1.299 | 7,00 0.276 |
| 20 | 15,88 0.625 | $1\frac{1}{8}$ " x 18 UNEF | 115,95 4.565 | 35,00 1.378 | 37,50 1.476 | 7,00 0.276 |
| 22 | 15,88 0.625 | $1\frac{1}{4}$ " x 18 UNEF | 115,95 4.565 | 38,00 1.496 | 37,50 1.476 | 7,00 0.276 |
| 24 | 19,05 0.750 | $1\frac{3}{8}$ " x 18 UNEF | 112,78 4.440 | 41,00 1.614 | 43,30 1.704 | 7,00 0.276 |
| 28 | 19,05 0.750 | $1\frac{5}{8}$ " x 18 UNEF | 119,78 4.716 | 48,00 1.889 | 43,30 1.704 | 7,00 0.276 |
| 32 | 23,80 0.937 | $1\frac{7}{8}$ " x 16 UN | 116,60 4.591 | 54,00 2.126 | 51,70 2.035 | 7,00 0.276 |
| 36 | 31,75 1.250 | $2\frac{1}{16}$ " x 16 UNS | 113,43 4.466 | 61,00 2.402 | 58,00 2.283 | 7,00 0.276 |
| 40 | 34,92 1.375 | $2\frac{5}{16}$ " x 16 UN | 110,20 4.338 | 67,00 2.638 | 65,00 2.559 | 7,00 0.276 |

LONG BACKSHELL WITH SEALED CABLE CLAMP
TYPE 'XLC'
STYLE: CIRBH - ** - ** - XLC - F80

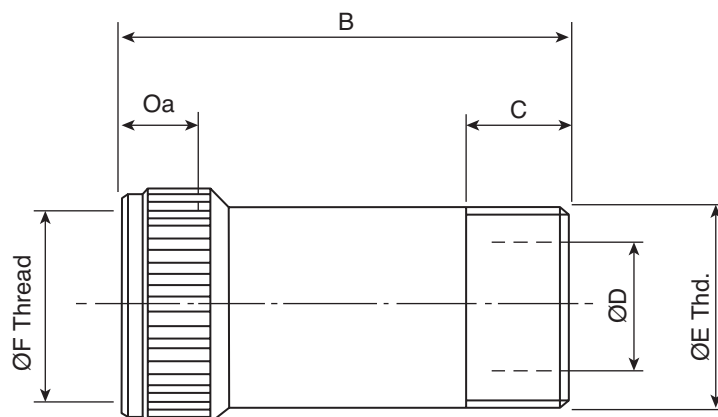
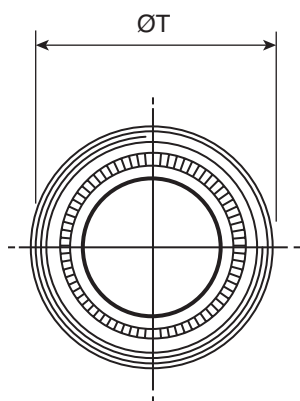


Metric
 Imperial

How to order:
 CIRBH - ** - ** - XLC - F80
 Shell size ————
 Contact arrangement ————

| Shell Size | C | | F Thread Dia. Class 2B | N | T Max | T1 Max | Oa Min Overlap Accessory |
|------------|-----------------------|-----------------------|------------------------|------------------------|-----------------------|-----------------------|--------------------------|
| | Max | Min | | | | | |
| 10SL | 7,93 0.312 | 2,38 0.094 | 5/8" x 24 UNEF | 79,47 3.129 | 22,00 0.866 | 23,80 0.937 | 7,00 0.276 |
| 14S | 11,12 0.438 | 6,35 0.250 | 3/4" x 20 UNEF | 79,47 3.129 | 25,00 0.984 | 26,97 1.062 | 7,00 0.276 |
| 16S | 13,48 0.531 | 7,92 0.312 | 7/8" x 20 UNEF | 79,47 3.129 | 28,00 1.102 | 30,18 1.188 | 7,00 0.276 |
| 16 | 13,48 0.531 | 7,92 0.312 | 7/8" x 20 UNEF | 91,33 3.596 | 28,00 1.102 | 30,18 1.188 | 7,00 0.276 |
| 18 | 15,87 0.625 | 9,53 0.375 | 1" x 20 UNEF | 91,33 3.596 | 31,00 1.220 | 33,32 1.312 | 7,00 0.276 |
| 20 | 19,00 0.748 | 12,70 0.500 | 1 1/8" x 18 UNEF | 91,33 3.596 | 35,00 1.378 | 39,67 1.562 | 7,00 0.276 |
| 22 | 19,00 0.748 | 12,70 0.500 | 1 1/4" x 18 UNEF | 91,33 3.596 | 38,00 1.496 | 39,67 1.562 | 7,00 0.276 |
| 24 | 23,80 0.937 | 15,09 0.594 | 1 3/8" x 18 UNEF | 94,51 3.721 | 41,00 1.614 | 44,45 1.750 | 7,00 0.276 |
| 28 | 23,80 0.937 | 15,09 0.594 | 1 5/8" x 18 UNEF | 101,51 3.996 | 48,00 1.889 | 44,45 1.750 | 7,00 0.276 |
| 32 | 31,75 1.250 | 23,83 0.938 | 1 7/8" x 16 UN | 107,86 4.246 | 54,00 2.126 | 57,15 2.250 | 7,00 0.276 |
| 36 | 35,00 1.378 | 24,61 0.969 | 2 1/16" x 16 UNS | 114,21 4.496 | 61,00 2.402 | 60,33 2.375 | 7,00 0.276 |
| 40 | 41,25 1.624 | 30,18 1.188 | 2 5/16" x 16 UN | 114,21 4.496 | 67,00 2.638 | 66,68 2.625 | 7,00 0.276 |

**LONG BACKSHELL WITH GROMMET
TYPE 'SHE'
STYLE: CIRBH - ** - ** - SHE - F80**



Metric
Imperial

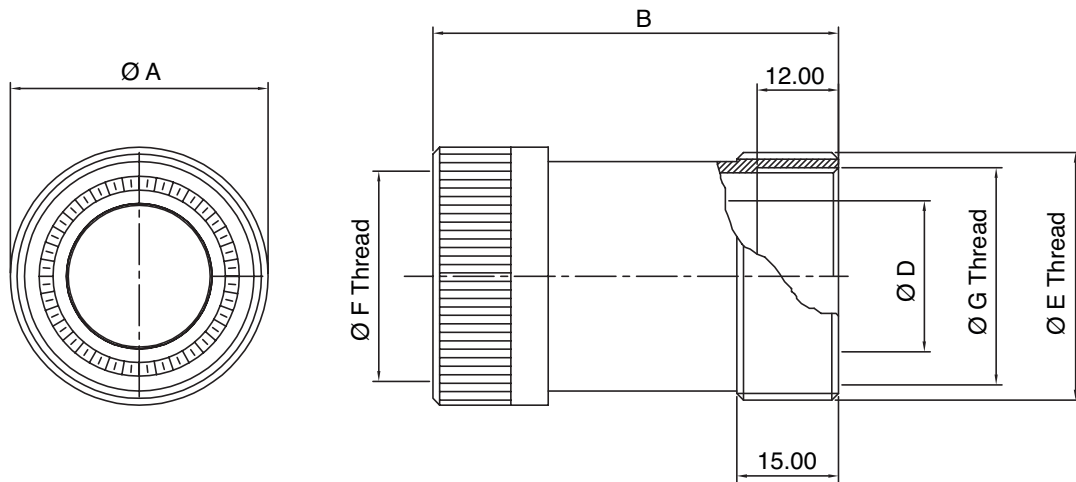
How to order:

CIRBH - ** - ** - SHE - F80
 Shell size ————
 Contact arrangement ————

| Shell Size | Ø T (Max.) | B | C ±0.10 | ØD ±0/-0.10 | Ø E Thd. | Ø F Thd. | Oa (Min) |
|------------|----------------------|----------------------|----------------------|----------------------|-------------------|------------------|---------------------|
| 10SL | 22,0 0.866 | 48,5 1.909 | 15,0 0.591 | 8,5 0.335 | 5/8" x 24 UNEF | 5/8" x 24 UNEF | 7,0 0.276 |
| 14S | 25,0 0.984 | 48,5 1.909 | 15,0 0.591 | 11,7 0.461 | 3/4" x 20 UNEF | 3/4" x 20 UNEF | 7,0 0.276 |
| 16S | 28,0 1.102 | 48,5 1.909 | 15,0 0.591 | 13,9 0.547 | 7/8" x 20 UNEF | 7/8" x 20 UNEF | 7,0 0.276 |
| 16 | 28,0 1.103 | 58,8 2.303 | 15,0 0.591 | 13,9 0.547 | 7/8" x 20 UNEF | 7/8" x 20 UNEF | 7,0 0.276 |
| 18 | 31,0 1.220 | 58,8 2.303 | 15,0 0.591 | 16,9 0.666 | 1" x 20 UNEF | 1" x 20 UNEF | 7,0 0.276 |
| 20 | 35,0 1.378 | 58,8 2.303 | 15,0 0.591 | 20,9 0.823 | 1 3/16" x 18 UNEF | 1 1/8" x 18 UNEF | 7,0 0.276 |
| 22 | 38,0 1.496 | 58,8 2.303 | 15,0 0.591 | 20,9 0.823 | 1 3/16" x 18 UNEF | 1 1/4" x 18 UNEF | 7,0 0.276 |
| 24 | 41,0 1.614 | 58,8 2.303 | 15,0 0.591 | 25,9 1.020 | 1 7/16" x 18 UNEF | 1 3/8" x 18 UNEF | 7,0 0.276 |
| 28 | 48,0 1.890 | 65,8 2.303 | 15,0 0.591 | 25,9 1.020 | 1 7/16" x 18 UNEF | 1 5/8" x 18 UNEF | 7,0 0.276 |
| 32 | 54,0 2.126 | 65,8 2.303 | 15,0 0.591 | 32,0 1.260 | 1 3/4" x 18 UNS | 1 7/8" x 16 UN | 7,0 0.276 |
| 36 | 61,0 2.402 | 65,8 2.303 | 15,0 0.591 | 36,9 1.453 | 2" x 18 UNS | 2 1/16" x 16 UNS | 7,0 0.276 |
| 40 | 67,0 2.638 | 65,8 2.303 | 15,0 0.591 | 44,9 1.768 | 2 1/4" x 16 UN | 2 5/16" x 16 UN | 7,0 0.276 |

**STEP-UP ADAPTOR -
TYPE 'SUAM/SUAP'
STYLE: CIRBH - ** - ** - SUA* - F80**

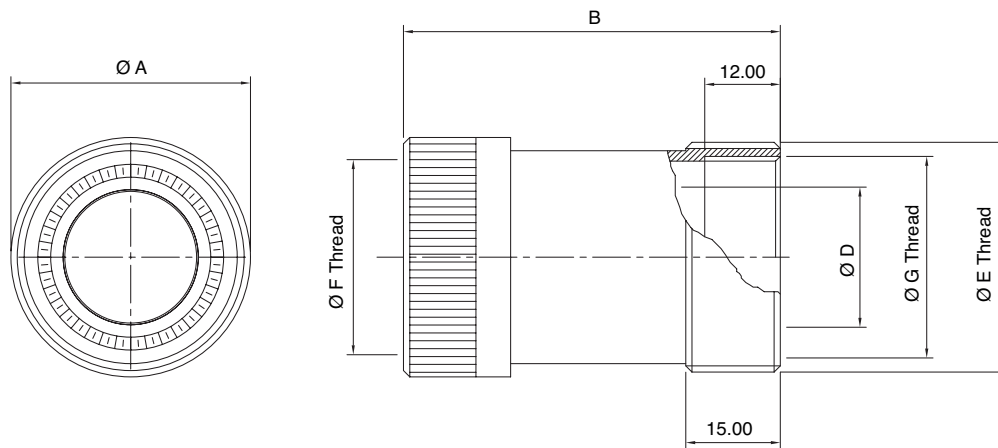
* Indicates: M = Metric / P = PG



| Shell Size | Thread F | ØA max. | B | ØD +0/-0.10 bore | Thread E | ØG Thread | |
|------------|------------------|---------|------|------------------------|-------------------|-----------|-------|
| | | | | | | Metric | PG |
| 10SL | Consult TE | | | | | | |
| 14S | Consult TE | | | | | | |
| 16S | Consult TE | | | | | | |
| 16 | Consult TE | | | | | | |
| 18 | 1" x 20 UNEF | 31.0 | 58.8 | 16.7 | 1 3/16" x 18 UNEF | M25 x 1.5 | PG 16 |
| 20 | 1 1/8" x 18 UNEF | 35.0 | 58.8 | 19.8 | 1 7/16" x 18 UNEF | M32 x 1.5 | PG 21 |
| 22 | 1 1/4" x 18 UNEF | 38.0 | 58.8 | 19.8 | 1 7/16" x 18 UNEF | M32 x 1.5 | PG 21 |
| 24 | 1 3/8" x 18 UNEF | 41.0 | 58.8 | 25.4 | 1 3/4" x 18 UNEF | M40 x 1.5 | PG 29 |
| 28 | 1 5/8" x 18 UNEF | 48.0 | 65.8 | 27.0 | 1 3/4" x 18 UN | M40 x 1.5 | PG 29 |
| 32 | 1 7/8" x 16 UNEF | 54.0 | 65.8 | 32.5 | 2" x 18 UNS | M40 x 1.5 | PG 29 |
| 36 | 2 1/16" x 16 UNS | 61.0 | 65.8 | 35.7 | 2 1/4" x 16 UN | M50 x 1.5 | PG 36 |
| 40 | 2 5/16" x 16 UNS | 67.0 | 65.8 | 45.0 | 2 1/2" x 16 UN | M50 x 1.5 | PG 42 |

**STEP-DOWN ADAPTORS -
METRIC/PG INNER THREAD, IMPERIAL OUTER THREAD
STYLE: CIRBH - ** - ** - SDA***

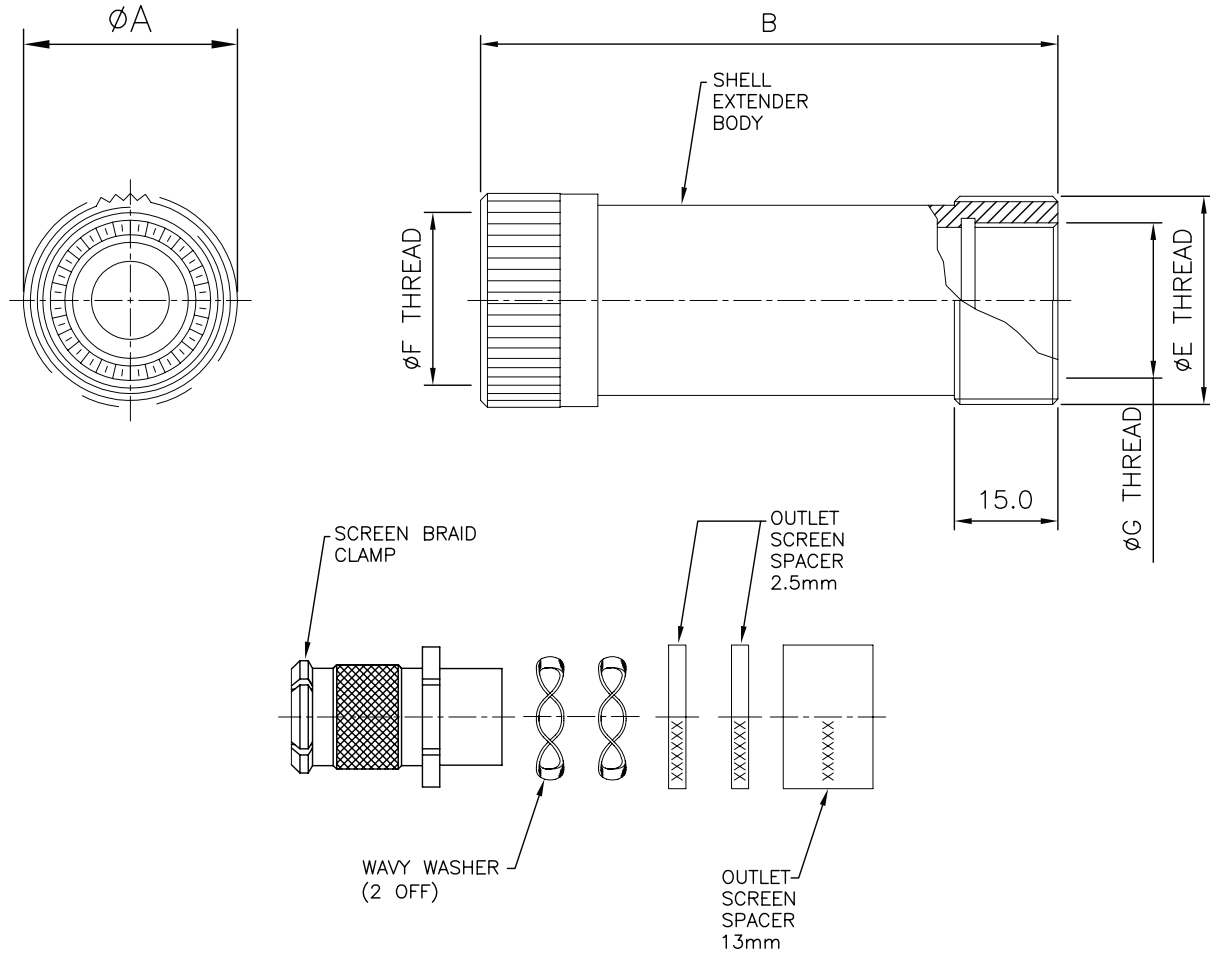
* Indicates: M = Metric / P = PG



| Shell Size | ØF Thread | ØE Thread | ØG Thread | | ØA max. | B | ØD +0/-0.10 Bore |
|------------|------------------|-------------------|-----------|--------|---------|------|------------------|
| | | | Metric | PG | | | |
| 10SL | Consult TE | | | | | | |
| 14S | Consult TE | | | | | | |
| 16S | Consult TE | | | | | | |
| 16 | Consult TE | | | | | | |
| 18 | 1" x 20 UNEF | 7/8" x 20 UNEF | M18 x 1.5 | PG11 | 31.00 | 58.8 | TBC |
| 20 | 1 1/8" x 18 UNEF | 1" x UNEF | M20 x 1.5 | PG13.5 | 35.00 | 58.8 | TBC |
| 22 | 1 1/4" x 18 UNEF | 1" x UNEF | M20 x 1.5 | PG13.5 | 38.00 | 58.8 | TBC |
| 24 | 1 3/8" x 18 UNEF | 1 3/16" x 18 UNEF | M25 x 1.5 | PG16 | 41.00 | 58.8 | TBC |
| 28 | 1 5/8" x 18 UNEF | 1 3/16" x 18 UNEF | M25 x 1.5 | PG16 | 48.00 | 65.8 | TBC |
| 32 | 1 7/8" x 16 UNEF | 1 7/16" x 16 UNEF | M32 x 1.5 | PG21 | 54.00 | 65.8 | TBC |
| 36 | 2 1/16" x 16 UNS | 1 3/4" x 16 UNEF | M40 x 1.5 | PG29 | 61.00 | 65.8 | TBC |
| 40 | 2 5/16" x 16 UNS | 2" x 16 UNS | M40 x 1.5 | PG29 | 67.00 | 73 | TBC |

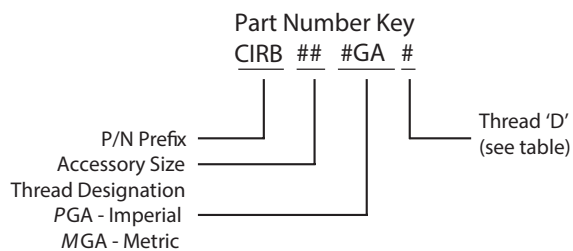
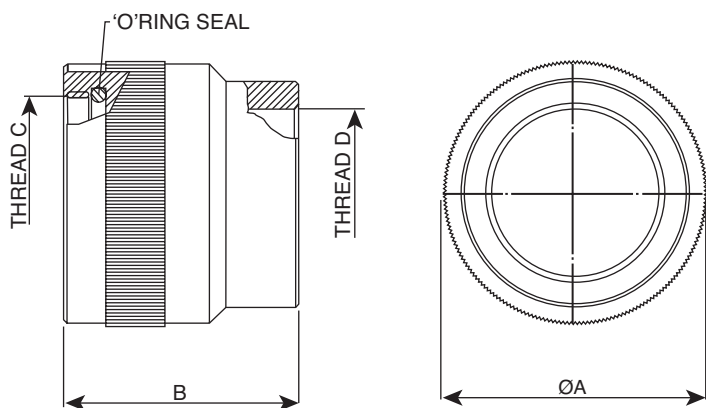
**SCREENED SHELL EXTENDER -
METRIC/PG INNER THREAD, IMPERIAL OUTER THREAD
STYLE: CIRBH - ** - ** - SUA*S**

* Indicates: M = Metric / P = PG



| Shell Size | ØF Thread | ØE Thread | ØG Thread | | ØA max. | B |
|------------|------------------|-------------------|-----------|------|---------|------|
| | | | Metric | PG | | |
| 10SL | Consult TE | | | | | |
| 14S | Consult TE | | | | | |
| 16S | Consult TE | | | | | |
| 16 | Consult TE | | | | | |
| 18 | 1" x 20 UNEF | 1 3/16" x 18 UNEF | M25 x 1.5 | PG16 | 31.00 | 83.3 |
| 20 | 1 1/8" x 18 UNEF | 1 7/16" x 18 UNEF | M32 x 1.5 | PG21 | 35.00 | 83.3 |
| 22 | 1 1/4" x 18 UNEF | 1 7/16" x 18 UNEF | M32 x 1.5 | PG21 | 38.00 | 83.3 |
| 24 | 1 3/8" x 18 UNEF | 1 3/4" x 18 UNEF | M40 x 1.5 | PG29 | 41.00 | 83.3 |
| 28 | 1 5/8" x 18 UNEF | 1 3/4" x 18 UN | M40 x 1.5 | PG29 | 48.00 | 83.3 |
| 32 | 1 7/8" x 16 UNEF | 2" x 18 UNS | M40 x 1.5 | PG29 | 54.00 | 83.3 |
| 36 | 2 1/16" x 16 UNS | 2 1/4" x 16 UN | M50 x 1.5 | PG36 | 61.00 | 83.3 |
| 40 | 2 5/16" x 16 UNS | 2 1/2" x 16 UN | M50 x 1.5 | PG42 | 67.00 | 83.3 |

**PG THREADED ADAPTORS
(FITTING ON ACA, CCA, XL & FT ACCESSORY
WITH PG/METRIC THREAD)**



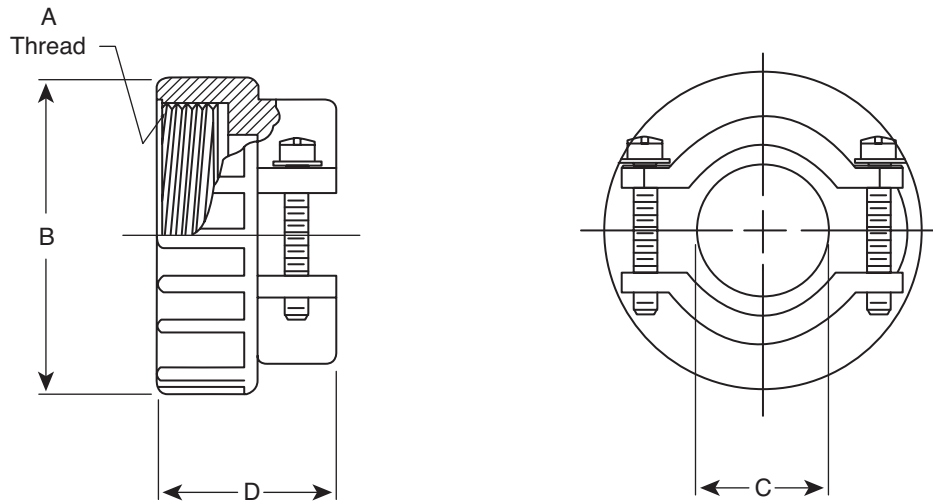
P/N Example to fit shell size 20 with a rear metric thread size M25

CIRB 20 M GA D

| Shell Size | Part Number | ØA | B | Thread C |
|------------|--------------------|-------|-------|-------------------|
| 10SL | CIRB-10SL-#GA-#M32 | 20.00 | 35.00 | 5/8" x 24 UNEF |
| 14S | CIRB-14S-#GA-#M32 | 23.50 | 35.00 | 3/4" x 20 UNEF |
| 16S | CIRB-16S-#GA-#M32 | 28.00 | 35.00 | 7/8" x 20 UNEF |
| 18 | CIRB-18-#GA-#M32 | 34.00 | 40.00 | 1" x 20 UNEF |
| 20-22 | CIRB-20-#GA-#M32 | 37.00 | 35.00 | 1 3/16" x 18 UNEF |
| 20-22 | CIRB-20-#GA-#M32 | 43.00 | 40.00 | |
| 24-28 | CIRB-24-#GA-#M32 | | | 54.00 |
| 24-28 | CIRB-24-#GA-#M32 | | | |
| 24-28 | CIRB-24-#GA-#M32 | | | |
| 32 | CIRB-32-#GA-#M32 | 54.00 | 38.00 | 1 3/4" x 18 UNS |
| 36 | CIRB-36-#GA-#M32 | 57.20 | 50.00 | 2" x 18 UNS |
| 40 | CIRB-40-#GA-#M32 | 65.00 | 51.00 | 2 1/4" x 16 UN |

| Thread Table (D) | | | |
|------------------|-------------|--------------|-------------|
| Imperial (PGA) | Thread Size | Metric (MGA) | Thread Size |
| A | PG7 | A | M12 |
| B | PG9 | B | M16 |
| C | PG11 | C | M20 |
| D | PG13.5 | D | M25 |
| E | PG16 | E | M32 |
| F | PG21 | F | M40 |
| G | PG29 | G | M50 |
| H | PG36 | H | M63 |
| J | PG42 | | |
| K | PG48 | | |

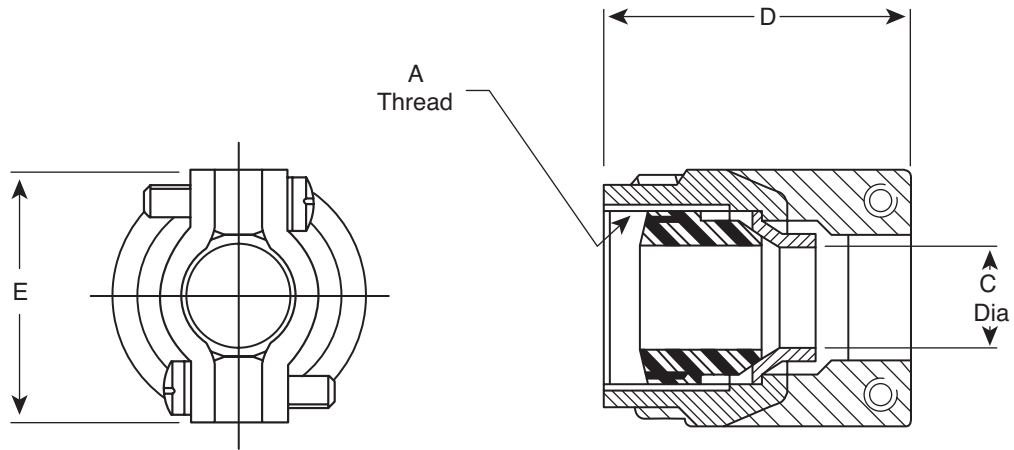
**CABLE CLAMP
STYLE: MS3057A**



Metric
Imperial

| Shell Size | MS3057 Reference | Part Number | A Thread Dia. Class 2A | B Max | C Max | D Max |
|------------|------------------|-----------------|------------------------|-----------------------|-----------------------|-----------------------|
| 10SL | -4A | CIRMSP3057A10SL | 5/8" x 24 UNEF | 21,41 0.843 | 7,95 0.313 | 21,41 0.843 |
| 14S | -6A | CIRMSP3057A14S | 3/4" x 20 UNEF | 25,40 1.000 | 11,13 0.438 | 23,01 0.906 |
| 16S | -8A | CIRMSP3057A16S | 7/8" x 20 UNEF | 28,58 1.125 | 14,30 0.563 | 24,61 0.969 |
| 16 | -8A | CIRMSP3057A16 | 7/8" x 20 UNEF | 28,58 1.125 | 14,30 0.563 | 24,61 0.969 |
| 18 | -10A | CIRMSP3057A18 | 1" x 20 UNEF | 30,96 1.219 | 15,88 0.625 | 24,61 0.969 |
| 20 | -12A | CIRMSP3057A20 | 1 3/16" x 18 UNEF | 35,71 1.406 | 19,05 0.750 | 24,61 0.969 |
| 22 | -12A | CIRMSP3057A22 | 1 3/16" x 18 UNEF | 35,71 1.406 | 19,05 0.750 | 24,61 0.969 |
| 24 | -16A | CIRMSP3057A24 | 1 7/16" x 18 UNEF | 42,85 1.687 | 23,83 0.938 | 26,97 1.062 |
| 28 | -16A | CIRMSP3057A28 | 1 7/16" x 18 UNEF | 42,85 1.687 | 23,83 0.938 | 26,97 1.062 |
| 32 | -20A | CIRMSP3057A32 | 1 3/4" x 18 UNS | 52,37 2.062 | 31,75 1.250 | 28,58 1.125 |
| 36 | -24A | CIRMSP3057A36 | 2" x 18 UNS | 57,15 2.250 | 34,93 1.375 | 30,15 1.187 |
| 40 | -28A | CIRMSP3057A40 | 2 1/4" x 16 UN | 64,29 2.531 | 41,28 1.625 | 43,66 1.719 |

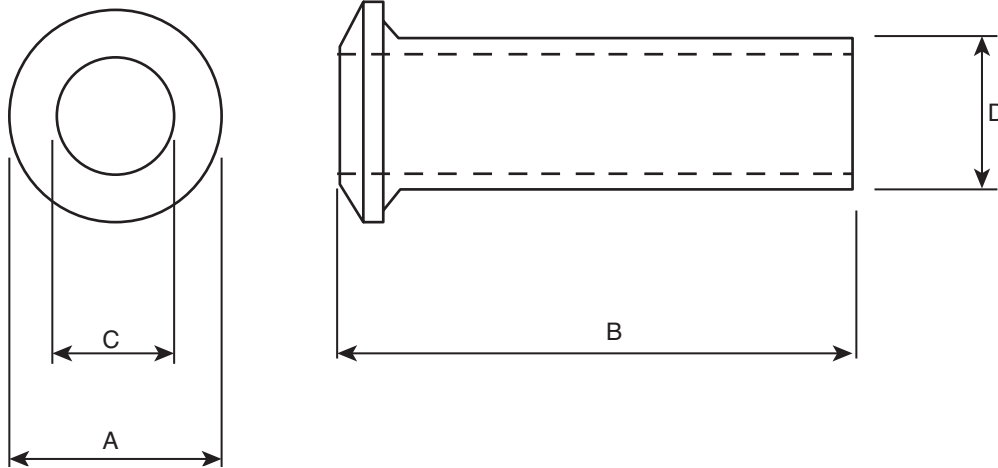
SEALED CABLE CLAMP FOR JACKETED CABLE STYLE: MS3057C



Metric
Imperial

| Shell Size | MS3057 Reference | Part Number | A Thread Dia. Class 2A | C Dia. | | D Max | E Max |
|------------|------------------|-----------------|------------------------------|-----------------------|-----------------------|-----------------------|-----------------------|
| | | | | Max | Min | | |
| 10SL | -4C | CIRMSP3057C10SL | 5/8" x 24 UNEF | 7,93 0.312 | 2,38 0.094 | 34,93 1.375 | 23,80 0.937 |
| 14S | -6C | CIRMSP3057C14S | 3/4" x 20 UNEF | 11,12 0.438 | 6,35 0.250 | 34,93 1.375 | 26,97 1.062 |
| 16S | -8C | CIRMSP3057C16S | 7/8" x 20 UNEF | 13,48 0.531 | 7,92 0.312 | 34,93 1.375 | 30,18 1.188 |
| 16 | -8C | CIRMSP3057C16 | 7/8" x 20 UNEF | 13,48 0.531 | 7,92 0.312 | 34,93 1.375 | 30,18 1.188 |
| 18 | -10C | CIRMSP3057C18 | 1" x 20 UNEF | 15,87 0.625 | 9,53 0.375 | 36,50 1.437 | 33,32 1.312 |
| 20 | -12C | CIRMSP3057C20 | 1 3/16" x 18 UNEF | 19,00 0.748 | 12,70 0.500 | 36,50 1.437 | 39,21 1.562 |
| 22 | -12C | CIRMSP3057C22 | 1 3/16" x 18 UNEF | 19,00 0.748 | 12,70 0.500 | 36,50 1.437 | 39,21 1.562 |
| 24 | -16C | CIRMSP3057C24 | 1 7/16" x 18 UNEF | 23,80 0.937 | 15,09 0.594 | 39,67 1.562 | 44,45 1.750 |
| 28 | -16C | CIRMSP3057C28 | 1 7/16" x 18 UNEF | 23,80 0.937 | 15,09 0.594 | 39,67 1.562 | 44,45 1.750 |
| 32 | -20C | CIRMSP3057C32 | 1 3/4" x 18 UNS | 31,75 1.250 | 23,83 0.938 | 46,02 1.812 | 57,15 2.250 |
| 36 | -24C | CIRMSP3057C36 | 2" x 18 UNS | 35,00 1.378 | 24,61 0.969 | 52,37 2.062 | 60,33 2.375 |
| 40 | -28C | CIRMSP3057C40 | 2 1/4" x 16 UN | 41,25 1.624 | 30,18 1.188 | 52,37 2.062 | 66,68 2.625 |

TELESCOPIC BUSHING
STYLE: MS 3057A

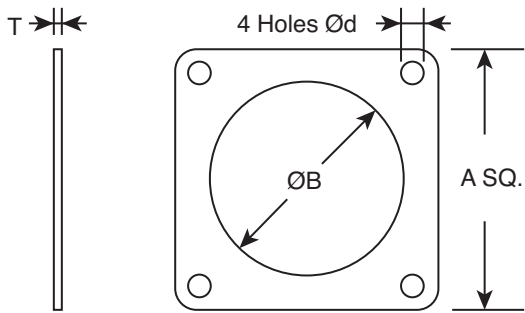


Metric
 Imperial

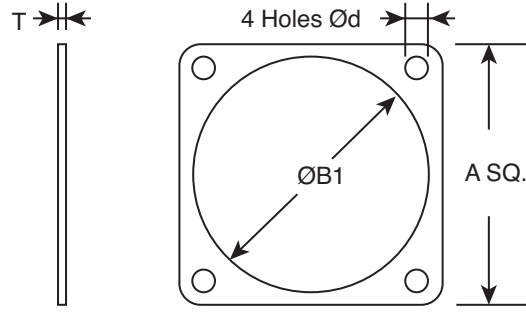
Note: The bushings can fit inside one another to reduce the cable entry diameter and improving clamping and sealing.

| Shell Size | Part Number | A | B | C | D |
|------------|---------------|-----------------------|-----------------------|-----------------------|-----------------------|
| 10SL | CIRSBMSH5541 | 12,83 0.505 | 69,85 2.750 | 5,59 0.220 | 7,62 0.300 |
| 14S | CIRSBMSH5542 | 15,88 0.625 | 66,68 2.625 | 7,92 0.312 | 10,80 0.425 |
| 16S | CIRSBMSH5543 | 19,05 0.750 | 63,50 2.500 | 11,10 0.437 | 13,97 0.550 |
| 16 | CIRSBMSH5543 | 19,05 0.750 | 63,50 2.500 | 11,10 0.437 | 13,97 0.550 |
| 18 | CIRSBMSH5544 | 22,23 0.875 | 60,33 2.375 | 14,27 0.562 | 15,57 0.613 |
| 20 | CIRSBMSH5545 | 25,40 1.000 | 57,15 2.250 | 15,88 0.625 | 18,75 0.738 |
| 22 | CIRSBMSH5546 | 28,58 1.125 | 57,15 2.250 | 15,88 0.625 | 18,75 0.738 |
| 24 | CIRSBMSH5547 | 31,75 1.250 | 53,98 2.125 | 19,05 0.750 | 23,50 0.925 |
| 28 | CIRSBMSH5548 | 38,23 1.505 | 53,98 2.125 | 19,05 0.750 | 23,50 0.925 |
| 32 | CIRSBMSH5549 | 44,45 1.750 | 50,80 2.000 | 23,80 0.937 | 31,45 1.238 |
| 36 | CIRSBMSH55410 | 47,88 1.885 | 47,63 1.875 | 31,75 1.250 | 34,62 1.363 |
| 40 | CIRSBMSH55411 | 52,90 2.083 | 44,40 1.748 | 34,92 1.375 | 40,99 1.614 |

PANEL SEALING GASKETS
NON-SCREENING, SEALING ONLY RFI CONDUCTIVE SCREENING & SEALING



Front Mounted Receptacle
 Part Number:
 Non-Screening- CIRSB - ** - RPG
 RFI Screening- CIRSB - ** - RPGS



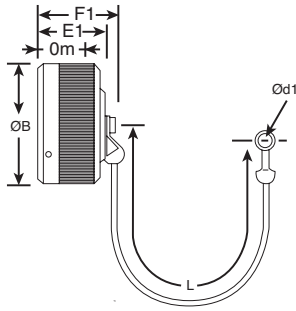
Rear Mounted Receptacle
 Part Number:
 Non-Screening- CIRSB - ** - FPG
 RFI Screening- CIRSB - ** - FPGS

Metric
 Imperial

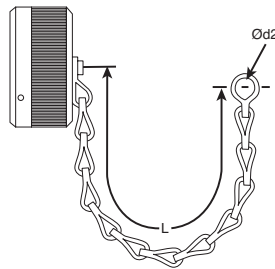
| Shell Size | A Min | B Nominal | B1 Nominal | d Min | T Nominal |
|------------|------------------------|-----------------------|-----------------------|----------------------|----------------------|
| 10SL | 25,40 1.000 | 15,88 0.625 | 18,30 0.720 | 3,43 0.135 | 1,00 0.040 |
| 14S | 30,20 1.188 | 19,00 0.750 | 24,70 0.972 | 3,43 0.135 | 1,00 0.040 |
| 16S | 32,50 1.280 | 22,20 0.875 | 27,50 1.083 | 3,43 0.135 | 1,00 0.040 |
| 16 | 32,50 1.280 | 22,20 0.875 | 27,50 1.083 | 3,43 0.135 | 1,00 0.040 |
| 18 | 34,90 1.375 | 25,40 1.000 | 30,90 1.217 | 3,43 0.135 | 1,00 0.040 |
| 20 | 38,10 1.500 | 28,60 1.125 | 34,30 1.350 | 3,43 0.135 | 1,00 0.040 |
| 22 | 41,30 1.625 | 31,70 1.250 | 37,50 1.476 | 3,43 0.135 | 1,00 0.040 |
| 24 | 44,50 1.750 | 34,90 1.375 | 41,00 1.614 | 4,12 0.162 | 1,00 0.040 |
| 28 | 50,80 2.000 | 41,30 1.625 | 46,80 1.843 | 4,12 0.162 | 1,00 0.040 |
| 32 | 57,20 2.250 | 47,60 1.875 | 53,50 2.106 | 4,78 0.188 | 1,00 0.040 |
| 36 | 63,50 2.500 | 52,60 2.071 | 59,70 2.350 | 4,78 0.188 | 1,00 0.040 |
| 40 | 69,90 2.750 | 61,90 2.440 | 65,50 2.580 | 5,10 2.010 | 1,00 0.040 |
| *49 | 110,00 4.331 | 98,10 3.862 | 98,10 3.862 | 7,90 0.311 | 1,25 0.049 |

*Size 49 is available as non-screened version only.

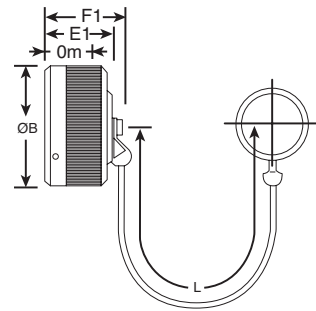
CIRBE--X-PCA**
(with nylon cord)



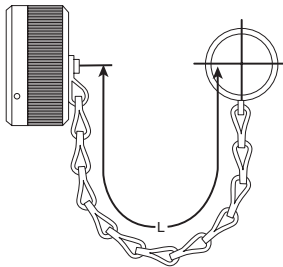
CIRBE--X-PCAK**
(with sash chain)



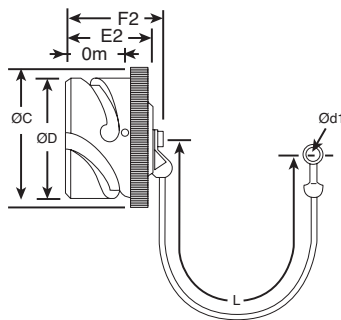
CIRBE--X-PCAJ**
(with nylon cord)



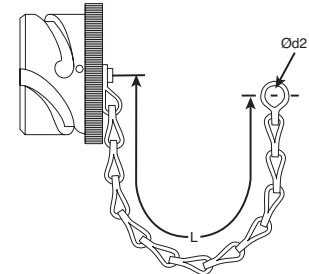
CIRBE--X-PCAJK**
(with sash chain)



CIRB--E-PCA**
(with nylon cord)



CIRB--E-PCAK**
(with sash chain)



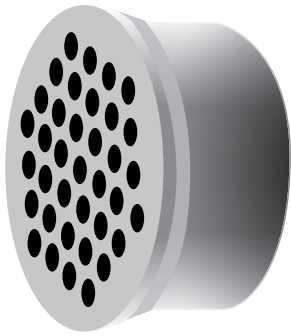
Caps for Single Hole Mounting Receptacle

Metric
Imperial

| Shell Size | B Max | C Max | D Max | E1 Max | E2 Max | F1 Max | F2 Max | L approx. See note | d1 Min | d2 +0.5, -0 +0.02, -0 | Om Min Overlap Mated |
|------------|----------------|----------------|----------------|----------------|----------------|----------------|----------------|--------------------|---------------|-----------------------|----------------------|
| 10SL | 22,80 0.898 | 26,10 1.028 | 18,20 0.717 | 17,50 0.689 | 21,60 0.850 | 24,60 0.969 | 28,40 1.118 | 100,00 4.000 | 4,85 0.191 | 4,30 0.169 | 11,10 0.437 |
| 14S | 29,20 1.150 | 32,50 1.280 | 24,60 0.969 | 17,50 0.689 | 21,60 0.850 | 24,60 0.969 | 28,40 1.118 | 100,00 4.000 | 4,85 0.191 | 4,30 0.169 | 11,10 0.437 |
| 16S | 32,40 1.276 | 35,30 1.390 | 27,40 1.079 | 17,50 0.689 | 21,60 0.850 | 24,60 0.969 | 28,40 1.118 | 100,00 4.000 | 4,85 0.191 | 4,30 0.169 | 11,10 0.437 |
| 16 | 32,40 1.276 | 35,30 1.390 | 27,40 1.079 | 24,00 0.945 | 27,30 1.075 | 24,60 0.969 | 28,40 1.118 | 100,00 4.000 | 4,85 0.191 | 4,30 0.169 | 15,85 0.624 |
| 18 | 36,50 1.437 | 38,70 1.524 | 30,80 1.213 | 24,00 0.945 | 27,30 1.075 | 29,80 1.173 | 33,90 1.335 | 150,00 6.000 | 4,85 0.191 | 4,30 0.169 | 15,85 0.624 |
| 20 | 39,90 1.571 | 42,10 1.658 | 34,20 1.346 | 24,00 0.945 | 27,30 1.075 | 29,80 1.173 | 33,90 1.335 | 150,00 6.000 | 4,85 0.191 | 4,30 0.169 | 15,85 0.624 |
| 22 | 43,10 1.697 | 45,30 1.784 | 37,40 1.472 | 24,00 0.945 | 27,30 1.075 | 29,80 1.173 | 33,90 1.335 | 150,00 6.000 | 4,85 0.191 | 4,30 0.169 | 15,75 0.620 |
| 24 | 46,60 1.835 | 48,80 1.921 | 40,90 1.610 | 24,00 0.945 | 27,30 1.075 | 29,80 1.173 | 33,90 1.335 | 150,00 6.000 | 4,85 0.191 | 4,30 0.169 | 15,75 0.620 |
| 28 | 53,40 2.102 | 54,60 2.150 | 46,70 1.838 | 24,00 0.945 | 27,30 1.075 | 29,80 1.173 | 33,90 1.335 | 150,00 6.000 | 4,85 0.191 | 4,30 0.169 | 15,75 0.620 |
| 32 | 60,10 2.366 | 61,30 2.413 | 53,40 2.102 | 27,00 1.063 | 27,30 1.075 | 29,80 1.173 | 33,90 1.335 | 150,00 6.000 | 4,85 0.191 | 5,50 0.217 | 15,75 0.620 |
| 36 | 66,30 2.610 | 67,50 2.658 | 59,60 2.346 | 27,00 1.063 | 27,30 1.075 | 29,80 1.173 | 33,90 1.335 | 150,00 6.000 | 4,85 0.191 | 5,50 0.217 | 15,75 0.620 |
| 40 | 72,10 2.838 | 73,40 2.890 | 65,50 2.579 | 27,00 1.063 | 27,30 1.075 | 29,80 1.173 | 33,90 1.335 | 150,00 6.000 | 4,85 0.191 | 5,50 0.217 | 15,75 0.620 |

Note: For alternative cord or chain length, please consult TE.

INDIVIDUAL WIRE SEAL GROMMET DUMMY PIN, SOCKET & GROMMET FILLER PLUG



How to order:

CIRBH - ** - ** - GAC - F80

Shell size ————┐
Contact arrangement ┘

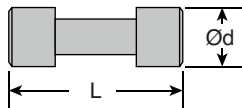
Metric
Imperial

| F80 Contact Sizes AWG (Metric) | *Wire Insulation Min O/D | *Wire Insulation Max O/D |
|-----------------------------------|-----------------------------|-----------------------------|
| 16S/16 (15S/15) | 1,52 0.060 | 3,20 0.126 |
| 12 (25) | 2,44 0.096 | 5,12 0.202 |
| 8 (100) | 4,90 0.193 | 7,20 0.283 |
| 4 (160) | 8,18 0.322 | 11,00 0.433 |
| **0 (500) | 14,00 0.551 | 16,00 0.630 |

* Please contact sales office for further detail.

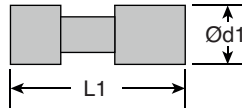
** For details of grommet reducing bushes to suit 35mm², 25mm² & 16mm² wire, please contact the sales office.

Grommet Filler Plug



CIRB-**-KFP F80

Dummy Contact



CIRB-**-KDP F80

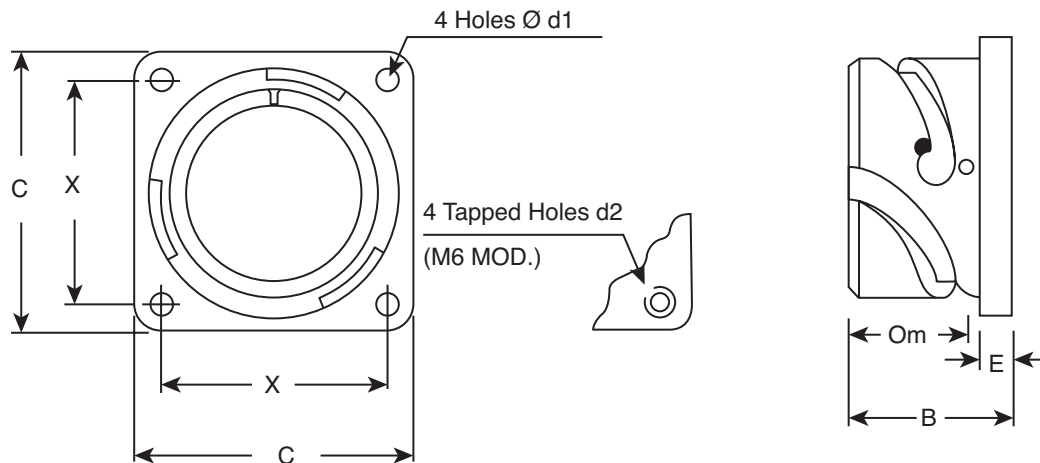
Metric
Imperial

| Contact Size AWG (Metric) | L Max | d Max | L1 Max | d1 Max | Colour Code |
|------------------------------|-----------------------|-----------------------|-----------------------|-----------------------|--------------------|
| ***16 (15) | 12,30 0.484 | 3,90 0.154 | 20,00 0.787 | 3,20 0.126 | Brown (KDP/KDS) |
| 12 (25) | 12,30 0.484 | 4,80 0.189 | 20,40 0.803 | 4,80 0.189 | Orange |
| 8 (100) | 12,10 0.476 | 7,00 0.276 | 22,75 0.896 | 7,80 0.307 | Violet |
| 4 (160) | 12,10 0.476 | 10,20 0.402 | * | * | Black |
| 0 (500) | 12,50 0.500 | 15,60 0.614 | 24,60 0.969 | 15,00 0.590 | White |

* Please consult TE for availability.

*** For Grommet Filler Plugs (KFP), do not add F80 to part number. Colour Blue.

SQUARE FLANGE STORAGE RECEPTACLE
STYLE: CIR - ** - SX/SX - M6



Note:

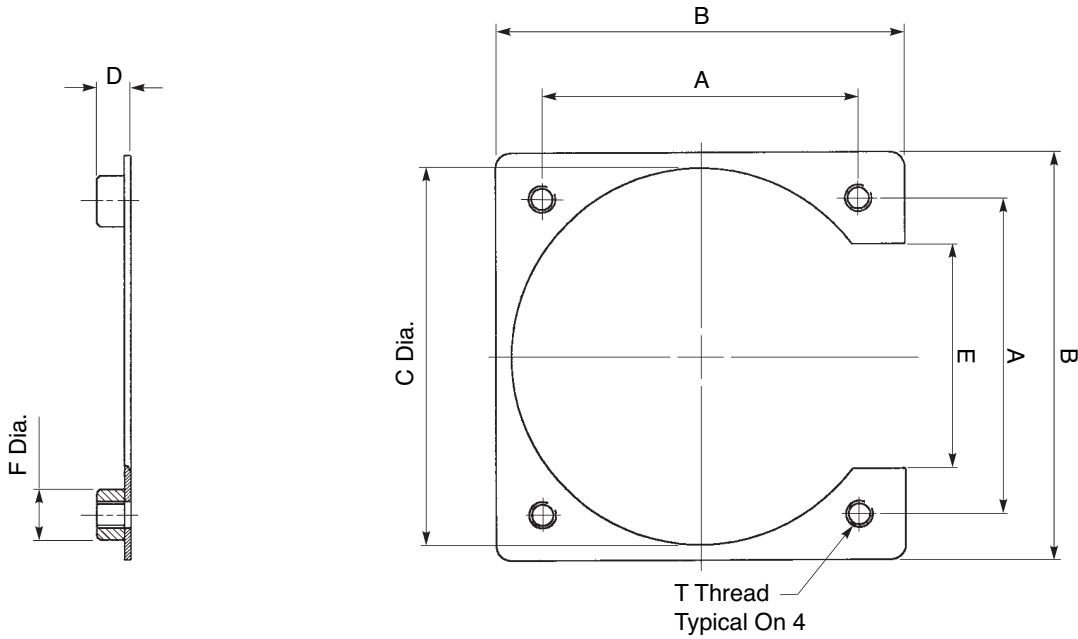
See page 90 for mounting details

- This part has a hole through the centre
- In order to maintain sealing to a panel (when used with Gasket), the panel cut out should not include the connector through hole
- Not normally practical with tapped holes.

Metric
Imperial

| Part Number | B Max | C Max | D1 Min | d2 Thread | E Max | X | Om min overlap mated |
|--------------------|-----------------------|------------------------|----------------------|-----------|----------------------|-----------------------|-----------------------|
| CIR-10SL-SX | 17,60 0.693 | 25,70 1.012 | 3,20 0.126 | M4 | 3,00 0.118 | 18,20 0.717 | 11,10 0.437 |
| CIR-14S-SX | 18,00 0.709 | 30,30 1.193 | 3,20 0.126 | M4 | 3,40 0.134 | 23,10 0.909 | 11,10 0.437 |
| CIR-16S-SX | 18,00 0.709 | 32,80 1.291 | 3,20 0.126 | M4 | 3,40 0.134 | 24,60 0.969 | 11,10 0.437 |
| CIR-16-SX | 22,80 0.898 | 32,80 1.291 | 3,20 0.126 | M4 | 3,40 0.134 | 24,60 0.969 | 15,85 0.624 |
| CIR-18-SX | 23,60 0.929 | 35,30 1.390 | 3,20 0.126 | M4 | 4,20 0.165 | 27,00 1.063 | 15,85 0.624 |
| CIR-20-SX | 23,60 0.929 | 38,30 1.508 | 3,20 0.126 | M4 | 4,20 0.165 | 29,40 1.157 | 15,85 0.624 |
| CIR-22-SX | 23,60 0.929 | 41,30 1.626 | 3,20 0.126 | M4 | 4,20 0.165 | 31,80 1.252 | 15,75 0.620 |
| CIR-24-SX | 25,20 0.992 | 44,80 1.764 | 3,70 0.146 | M4 | 4,20 0.165 | 34,90 1.374 | 15,75 0.620 |
| CIR-28-SX | 25,20 0.992 | 51,10 2.012 | 3,70 0.146 | M5 | 4,20 0.165 | 39,70 1.563 | 15,75 0.620 |
| CIR-32-SX | 26,80 1.055 | 57,30 2.256 | 4,30 0.169 | M5 | 4,20 0.165 | 44,50 1.752 | 15,75 0.620 |
| CIR-36-SX | 26,80 1.055 | 63,80 2.512 | 4,30 0.169 | M5 | 4,20 0.165 | 49,20 1.937 | 15,75 0.620 |
| CIR-40-SX | 26,80 1.055 | 70,20 2.763 | 4,30 0.169 | M5 | 4,20 0.165 | 55,50 2.185 | 15,75 0.620 |
| CIR-49-SX | 56,73 2.233 | 110,40 4.346 | 8,50 0.335 | - | 8,20 0.323 | 90,00 3.543 | |

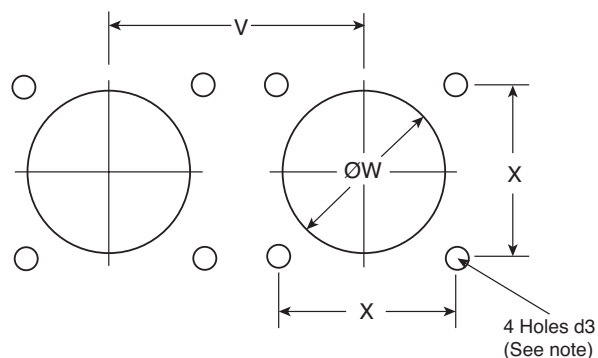
SQUARE FLANGE RECEPTACLE NUT PLATES
STYLE: CIRB ** NP (METRIC THREAD)/NPA (UNC THREAD)



Metric
Imperial

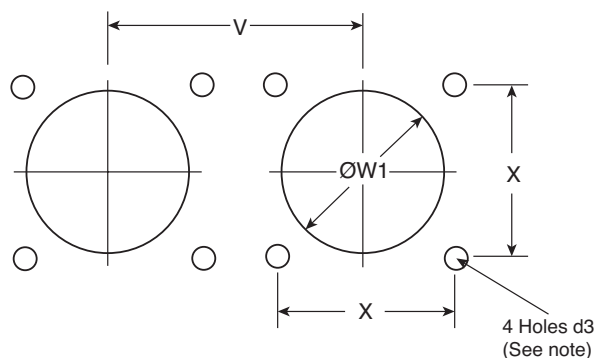
| Shell Size | A | B Max | C Dia. Max | D | E Max | F Dia. Max | T Thread | Part Number | T Thread | Part Number |
|-------------|-----------------------|-----------------------|-----------------------|---------------------------------|-----------------------|----------------------|----------|-------------|------------|-------------|
| 10SL | 18,26 0.719 | 26,26 1.034 | 17,85 0.702 | 2,69/4,22 0.106/0.166 | 11,50 0.453 | 6,00 0.236 | M3 x 0,5 | CIRB10SLNP | 4 - 40 UNC | CIRB10SLNPA |
| 14S | 23,01 0.906 | 30,66 1.207 | 24,59 0.968 | 2,69/4,22 0.106/0.166 | 16,25 0.640 | 6,00 0.236 | M3 x 0,5 | CIRB14SNP | 4 - 40 UNC | CIRB14SNPA |
| 16S | 24,61 0.969 | 32,26 1.270 | 28,17 1.109 | 2,69/4,22 0.106/0.166 | 17,85 0.703 | 6,00 0.236 | M3 x 0,5 | CIRB16SNP | 4 - 40 UNC | CIRB16SNPA |
| 16 | 24,61 0.969 | 32,26 1.270 | 28,17 1.109 | 2,69/4,22 0.106/0.166 | 17,85 0.703 | 6,00 0.236 | M3 x 0,5 | CIRB16NP | 4 - 40 UNC | CIRB16NPA |
| 18 | 26,97 1.062 | 34,62 1.363 | 30,48 1.250 | 2,69/4,22 0.106/0.166 | 20,21 0.796 | 6,00 0.236 | M3 x 0,5 | CIRB18NP | 4 - 40 UNC | CIRB18NPA |
| 20 | 29,36 1.156 | 38,48 1.515 | 33,53 1.320 | 2,69/4,22 0.106/0.166 | 22,47 0.885 | 6,00 0.236 | M3 x 0,5 | CIRB20NP | 4 - 40 UNC | CIRB20NPA |
| 22 | 31,75 1.250 | 40,84 1.608 | 36,65 1.443 | 2,69/4,22 0.106/0.166 | 23,54 0.927 | 6,00 0.236 | M3 x 0,5 | CIRB22NP | 4 - 40 UNC | CIRB22NPA |
| 24 | 34,93 1.375 | 44,83 1.765 | 40,00 1.575 | 2,69/4,22 0.106/0.166 | 25,90 1.020 | 7,50 0.295 | M3 x 0,5 | CIRB24NP | 4 - 40 UNC | CIRB24NPA |
| 28 | 39,67 1.562 | 51,18 2.015 | 46,61 1.835 | 2,69/4,22 0.106/0.166 | 29,08 1.145 | 7,50 0.295 | M3 x 0,5 | CIRB28NP | 4 - 40 UNC | CIRB28NPA |
| 32 | 44,45 1.750 | 59,10 2.327 | 52,75 2.077 | 3,50/5,00 0.138/0.197 | 30,68 1.208 | 8,00 0.315 | M4 x 0,7 | CIRB32NP | 8 - 32 UNC | CIRB32NPA |
| 36 | 49,23 1.968 | 63,86 2.514 | 59,10 2.327 | 3,50/5,00 0.138/0.197 | 35,43 1.395 | 8,00 0.315 | M4 x 0,7 | CIRB36NP | 8 - 32 UNC | CIRB36NPA |
| 40 | 55,58 2.188 | 74,68 2.940 | 68,33 2.690 | 3,50/5,00 0.138/0.197 | 38,60 1.520 | 8,00 0.315 | M4 x 0,7 | CIRB40NP | 8 - 32 UNC | CIRB40NPA |

SQUARE FLANGE RECEPTACLES PANEL MOUNTING DETAIL



Front Mounting Style:

CIRH00
CIRH04
CIRH12A



Rear Mounting Style:

CIRH03
CIRH05 & 07

Metric
Imperial

Note 1:

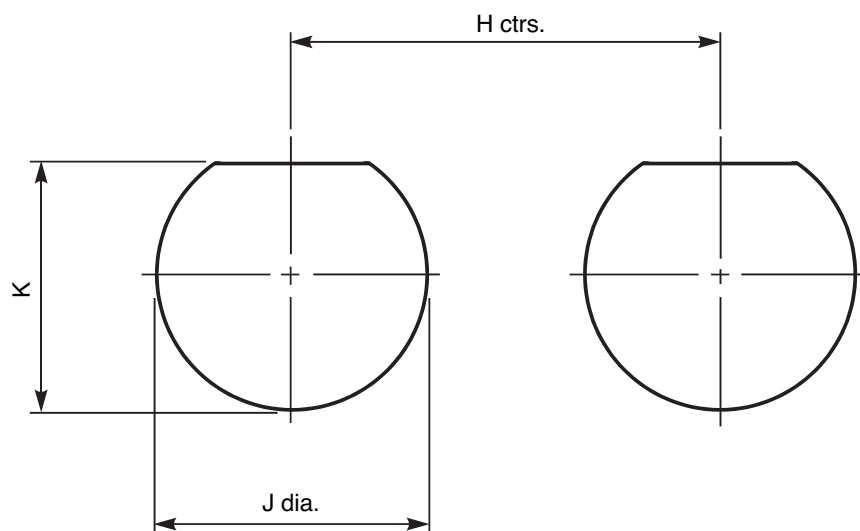
When fixed connectors are used with threaded mounting holes, refer to hole sizes in column d4.

Note 2:

When fixed connectors are used with plugs having rubber coupling nuts, please consult factory for panel cut-out dimensions.

| Shell Size | d3 dia. | d4 dia. | V | W | W1 | X |
|------------|----------------------|----------------------|------------------------|-----------------------|-----------------------|-----------------------|
| 10SL | 3,40 0.134 | 4,50 0.177 | 26,60 1.047 | 17,00 0.670 | 18,58 0.732 | 18,20 0.717 |
| 14S | 3,40 0.134 | 4,50 0.177 | 31,60 1.244 | 20,00 0.780 | 24,98 0.984 | 23,00 0.906 |
| 16S | 3,40 0.134 | 4,50 0.177 | 34,40 1.354 | 23,00 0.906 | 27,78 1.094 | 24,60 0.969 |
| 16 | 3,40 0.134 | 4,50 0.177 | 34,40 1.354 | 23,00 0.906 | 27,78 1.094 | 24,60 0.969 |
| 18 | 3,40 0.134 | 4,50 0.177 | 38,30 1.508 | 26,00 1.024 | 31,18 1.228 | 27,00 1.063 |
| 20 | 3,40 0.134 | 4,50 0.177 | 41,70 1.642 | 30,00 1.181 | 34,58 1.361 | 29,40 1.157 |
| 22 | 3,40 0.134 | 4,50 0.177 | 45,20 1.780 | 33,00 1.300 | 37,78 1.487 | 31,80 1.252 |
| 24 | 3,90 0.154 | 4,50 0.177 | 48,70 1.917 | 36,00 1.417 | 41,28 1.625 | 34,90 1.374 |
| 28 | 3,90 0.154 | 5,50 0.217 | 55,50 2.185 | 42,00 1.654 | 47,08 1.854 | 39,70 1.563 |
| 32 | 4,50 0.177 | 5,50 0.217 | 62,40 2.475 | 48,50 1.909 | 53,78 2.117 | 44,50 1.752 |
| 36 | 4,50 0.177 | 5,50 0.217 | 69,00 2.717 | 55,00 2.165 | 59,98 2.361 | 49,20 1.937 |
| 40 | 4,50 0.177 | 5,50 0.217 | 75,00 2.953 | 59,10 2.327 | 66,4 2.614 | 55,50 2.186 |
| 49 | 8,50 0.315 | - | 140,00 5.512 | 91,00 3.583 | 91,00 3.583 | 90,00 3.543 |

SINGLE HOLE MOUNTING RECEPTACLE PANEL MOUNTING DETAIL



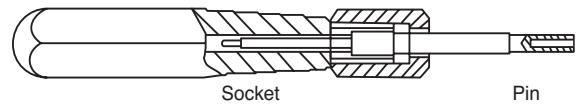
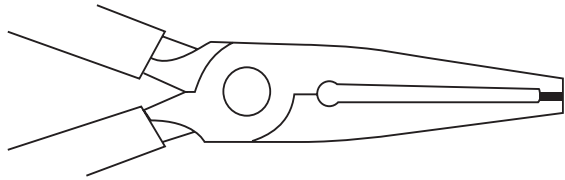
Metric
Imperial

Note:

When fixed connectors are used with plugs having rubber coupling nuts, please consult factory for panel cut-out dimensions.

| Shell Size | H ctrs. | J dia. | K |
|------------|-----------------------|-----------------------|-----------------------|
| 10SL | 32,55 1.281 | 22,53 0.887 | 20,83 0.820 |
| 14S | 42,05 1.656 | 28,88 1.137 | 27,23 1.072 |
| 16S | 45,15 1.776 | 32,08 1.263 | 30,78 1.212 |
| 16 | 45,15 1.776 | 32,08 1.263 | 30,78 1.212 |
| 18 | 48,85 1.923 | 35,23 1.387 | 33,58 1.322 |
| 20 | 52,05 2.049 | 38,43 1.513 | 36,68 1.444 |
| 22 | 55,45 2.183 | 41,56 1.636 | 39,88 1.570 |
| 24 | 58,45 2.301 | 44,78 1.763 | 43,18 1.700 |
| 28 | 65,25 2.569 | 51,13 2.013 | 49,37 1.944 |
| 32 | 71,55 2.817 | 57,48 2.263 | 55,78 2.196 |
| 36 | 77,95 3.069 | 63,83 2.513 | 62,18 2.448 |
| 40 | 85,25 3.356 | 70,18 2.763 | 68,38 2.692 |

CONTACT INSERTION & EXTRACTION TOOLS SOCKET CONTACT GUIDE PINS



Insertion Tool

| Contact Size AWG (Metric) | Insertion Tool Part Number |
|------------------------------|-------------------------------|
| 16 (16S) | CIRB-IT-16 |
| 16 (15) | CIRB-IT-16 |
| 12 (25) | CIRB-IT-12 |
| 8 (100) | Tool Not Required |
| 4 (160) | |
| 0 (500) | |

Extraction Tool

| Contact Size AWG (Metric) | Extraction Tool Part Number |
|------------------------------|--------------------------------|
| 16 (16S) | CIRB-ET-16 |
| 16 (15) | CIRB-ET-16 |
| 12 (25) | CIRB-ET-12 |
| 8 (100) | Tool Not Required |
| 4 (160) | |
| 0 (500) | |

Socket Contact Guide Pin

| Socket Contact Size AWG (Metric) | Guide Pin Part Number |
|----------------------------------------|------------------------------|
| 16 (16S) | CIRB-16-SGP |
| 16 (15) | CIRB-16-SGP |
| 12 (25) | CIRB-12-SGP |
| 8 (100) | Guide Pin Not Required |
| 4 (160) | |
| 0 (500) | |

F80 CONTACTS CRIMP & TOOLING DATA

| Contact Size & Type | Contact Part Number | Wire Size C.S.A. mm ² | Tool Required | Turret/Locator | Tool Setting | Tool Pos'n If Applicable | Insertion Tool | Extraction Tool | Guide Pins |
|---------------------|---------------------|----------------------------------|---------------|----------------|--------------|--------------------------|----------------|-----------------|------------|
| 16S/20 Pin | CIRB16S/20KPKF80 | 0,5/0,6 | FT8/WA27F | TP1249 | 3 | - | CIRIT16 | CIRET16 | - |
| 16S/20 Skt. | CIRB16S/20KSKF80 | 0,5/0,6 | FT8/WA27F | TP1249 | 3 | - | CIRIT16 | CIRET16 | CIRB16SG |
| 16S/18 Pin | CIRB16S/18KPKF80 | 0,75/0,93 | FT8/WA27F | TP1249 | 4 | - | CIRIT16 | CIRET16 | - |
| 16S/18 Skt. | CIRB16S/18KSKF80 | 0,75/0,93 | FT8/WA27F | TP1249 | 4 | - | CIRIT16 | CIRET16 | CIRB16SG |
| 16S/14 Pin | CIRB16S/14KPKf80 | 1,94/2,08 | FT8/WA27F | TP1249 | 5 | - | CIRIT16 | CIRET16 | - |
| 16S/14 Skt. | CIRB16S/14KSKf80 | 1,94/2,08 | FT8/WA27F | TP1249 | 5 | - | CIRIT16 | CIRET16 | CIRB16SG |
| 16S/12 Pin | CIRB16S/12KPKf80 | 2,50/3,00 | FT8/WA27F | TP1249 | 7 | - | CIRIT16 | CIRET16 | - |
| 16S/12 Skt. | CIRB16S/12KPKf80 | 2,50/3,00 | FT8/WA27F | TP1249 | 7 | - | CIRIT16 | CIRET16 | CIRB16SG |
| 16S Pin | CIRB16SKPKF80 | 0,93/1,5 | FT8/WA27F | TP1249 | 5 | - | CIRIT16 | CIRET16 | - |
| 16S Skt. | CIRB16SKSKF80 | 0,93/1,5 | FT8/WA27F | TP1249 | 5 | - | CIRIT16 | CIRET16 | CIRB16SG |
| LIF 16S Skt. | CIRB16SKLKF80 | 0,93/1,5 | FT8/WA27F | TP1249 | 5 | - | CIRIT16 | CIRET16 | CIRB16SG |
| 16/22 Pin | CIRB16/22KPKF80 | 0,22/0,34 | FT8/WA27F | TH592 | 2/3 | Red | CIRIT16 | CIRET16 | - |
| 16/22 Skt. | CIRB16/22KSKF80 | 0,22/0,34 | FT8/WA27F | TH592 | 2/3 | Blue | CIRIT16 | CIRET16 | CIRB16SG |
| 16/20 Pin | CIRB16/20KPKF80 | 0,5/0,6 | FT8/WA27F | TH592 | 3 | Blue | CIRIT16 | CIRET16 | - |
| 16/20 Skt. | CIRB16/20KSKF80 | 0,5/0,6 | FT8/WA27F | TH592 | 3 | Red | CIRIT16 | CIRET16 | CIRB16SG |
| LIF16/20 Skt. | CIRB16/20KPKF80 | 0,5/0,6 | FT8/WA27F | TH592 | 3 | Red | CIRIT16 | CIRET16 | CIRB16SG |
| 16/18 Pin | CIRB16/18KPKF80 | 0,75/0,93 | FT8/WA27F | TH592 | 4 | Blue | CIRIT16 | CIRET16 | - |
| 16/18 Skt. | CIRB16/18KSKF80 | 0,75/0,93 | FT8/WA27F | TH592 | 4 | Red | CIRIT16 | CIRET16 | CIRB16SG |
| 16 Pin | CIRB16KPKF80 | 0,93/1,5 | FT8/WA27F | TH592 | 5 | Blue | CIRIT16 | CIRET16 | - |
| 16 Skt. | CIRB16KSKF80 | 0,93/1,5 | FT8/WA27F | TH592 | 5 | Red | CIRIT16 | CIRET16 | CIRB16SG |
| LIF 16 Skt. | CIRB16KPKF80 | 0,93/1,5 | FT8/WA27F | TH592 | 5 | Red | CIRIT16 | CIRET16 | CIRB16SG |
| 16/14 Pin | CIRB16/14KPKF80 | 1,94/2,08 | FT8/WA27F | TH592 | 5 | Blue | CIRIT16 | CIRET16 | - |
| 16/14 Skt. | CIRB16/14KSKF80 | 1,94/2,08 | FT8/WA27F | TH592 | 5 | Red | CIRIT16 | CIRET16 | CIRB16SG |
| 16/12 Pin | CIRB16/12KPKF80 | 2,50/3,00 | FT8/WA27F | TH592 | 7 | Yellow | CIRIT16 | CIRET16 | - |
| 16/12Skt. | CIRB16/12KSKF80 | 2,50/3,00 | FT8/WA27F | TH592 | 7 | Yellow | CIRIT16 | CIRET16 | CIRB16SG |
| 12/20 Pin | CIRB12/20KPKF80 | 0,5/0,6 | FT8/WA27F | TH592 | 3 | Yellow | CIRIT12 | CIRET12 | - |
| 12/20 Skt. | CIRB12/20KSKF80 | 0,5/0,6 | FT8/WA27F | TH592 | 3 | Yellow | CIRIT12 | CIRET12 | CIRB12SG |
| LIF 12/20 Skt. | CIRB12/20KPKF80 | 0,5/0,6 | FT8/WA27F | TH592 | 3 | Yellow | CIRIT12 | CIRET12 | CIRB12SG |
| 12/18 Pin | CIRB12/18KPKF80 | 0,75/0,93 | FT8/WA27F | TH592 | 4 | Yellow | CIRIT12 | CIRET12 | - |
| 12/18 Skt. | CIRB12/18KSKF80 | 0,75/0,93 | FT8/WA27F | TH592 | 4 | Yellow | CIRIT12 | CIRET12 | CIRB12SG |
| 12/16 Pin | CIRB12/16KPKF80 | 0,93/1,5 | FT8/WA27F | TH592 | 5 | Yellow | CIRIT12 | CIRET12 | - |
| 12/16 Skt. | CIRB12/16KSKF80 | 0,93/1,5 | FT8/WA27F | TH592 | 5 | Yellow | CIRIT12 | CIRET12 | CIRB12SG |
| LIF 12/16 Skt. | CIRB12/16KPKF80 | 0,93/1,5 | FT8/WA27F | TH592 | 5 | Yellow | CIRIT12 | CIRET12 | CIRB12SG |
| 12/14 Pin | CIRB12/14KPKF80 | 1,94/2,08 | FT8/WA27F | TH592 | 5 | Yellow | CIRIT12 | CIRET12 | - |
| 12/14 Skt. | CIRB12/14KSKF80 | 1,94/2,08 | FT8/WA27F | TH592 | 5 | Yellow | CIRIT12 | CIRET12 | CIRB12SG |
| 12 Pin | CIRB12KPKF80 | 2,50/3,00 | FT8/WA27F | TH592 | 7 | Yellow | CIRIT12 | CIRET12 | - |
| 12 Skt. | CIRB12KSKF80 | 2,50/3,00 | FT8/WA27F | TH592 | 7 | Yellow | CIRIT12 | CIRET12 | CIRB12SG |
| LIF 12 Skt. | CIRB12KPKF80 | 2,50/3,00 | FT8/WA27F | TH592 | 7 | Yellow | CIRIT12 | CIRET12 | CIRB12SG |
| 12/10 Pin | CIRB12/10KPKF80 | 5,53 | M310 | TH592 | 5 | Yellow | CIRIT12 | CIRET12 | - |
| 12/10 Skt. | CIRB12/10KSKF80 | 5,53 | M310 | TH592 | 5 | Yellow | CIRIT12 | CIRET12 | CIRB12SG |
| 12/40 Pin | CIRB12/40KPKF80 | 4,0 | M310 | TH592 | 5 | Yellow | CIRIT12 | CIRET12 | - |
| 12/40 Skt. | CIRB12/40KSKF80 | 4,0 | M310 | TH592 | 5 | Yellow | CIRIT12 | CIRET12 | CIRB12SG |

**F80 CONTACTS
CRIMP & TOOLING DATA CONT.**

| Contact Size & Type | Contact Part Number | Wire Size C.S.A. mm ² | Tool Required | Turret/ Locator | Tool Setting | Tool Pos'n If Applicable | Insertion Tool | Extraction Tool | Guide Pins |
|---------------------|---------------------|----------------------------------|---------------|-----------------|--------------|--------------------------|----------------|-----------------|------------|
| 8/40 Pin | CIRB8/40KPKF80 | 4,0 | D55E | Die Set | - | - | - | - | - |
| 8/40 Skt. | CIRB8/40KSKF80 | 4,0 | D55E | Die Set | - | - | - | - | - |
| 8/12 Pin | CIRB8/12KPKF80 | 2,5 | M310 | Consult TE | 3 | - | - | - | - |
| 8/12 Skt. | CIRB8/12KSKF80 | 2,5 | M310 | Consult TE | 3 | - | - | - | - |
| 8/10 Pin | CIRB8/10KPKF80 | 5,53 | D55E | Die Set | - | - | - | - | - |
| 8/10 Skt. | CIRB8/10KSKF80 | 5,53 | D55E | Die Set | - | - | - | - | - |
| 8 Pin | CIRB8KPKF80 | 9,0 | D36 | Die Set 02541 | - | - | - | - | - |
| 8 Skt. | CIRB8KSKF80 | 9,0 | D36 | Die Set 02541 | - | - | - | - | - |
| 100/60 Pin | CIRB100/60KPKF80 | 6,0 | D55E | Die Set | - | - | - | - | - |
| 100/60 Skt. | CIRB100/60KSKF80 | 6,0 | D55E | Die Set | - | - | - | - | - |
| 100 Pin | CIRB100KPKF80 | 10,0 | D55E | Die Set MRP0925 | - | - | - | - | - |
| 100 Skt. | CIRB100KSKF80 | 10,0 | D55E | Die Set MRP0925 | - | - | - | - | - |
| 4/10 Pin | CIRB4/10KPKF80 | 5,53 | D55E | Die Set | - | - | - | - | - |
| 4/10 Skt. | CIRB4/10KSKF80 | 5,53 | D55E | Die Set | - | - | - | - | - |
| 4 Pin | CIRB4KPKF80 | 22,0 | D36 | Die Set | - | - | - | - | - |
| 4 Skt. | CIRB4KSKF80 | 22,0 | D36 | Die Set | - | - | - | - | - |
| 160 Pin | CIRB160KPKF80 | 16,0 | D55E | Die Set MRP0924 | - | - | - | - | - |
| 160 Skt. | CIRB160KSKF80 | 16,0 | D55E | Die Set MRP0924 | - | - | - | - | - |
| 0 Pin | CIRB0KPKF80 | 53,0 | D36 | Die Set | - | - | - | - | - |
| 0 Skt. | CIRB0KSKF80 | 53,0 | D36 | Die Set | - | - | - | - | - |
| 500/160 Pin | CIRB500/160KPKF8 | 16,0 | D55E | Die Set MRP0924 | - | - | - | - | - |
| 500/160 Skt. | CIRB500/160KSKF8 | 16,0 | D55E | Die Set MRP0924 | - | - | - | - | - |
| 500/250 Pin | CIRB500/250KPKF8 | 25,0 | D55E | Die Set | - | - | - | - | - |
| 500/250 Skt. | CIRB500/250KSKF8 | 25,0 | D55E | Die Set | - | - | - | - | - |
| 500/350 Pin | CIRB500/350KPKF8 | 35,0 | D55E | Die Set | - | - | - | - | - |
| 500/350 Skt. | CIRB500/350KSKF8 | 35,0 | D55E | Die Set | - | - | - | - | - |
| 500 Pin | CIRB500KPKF80 | 50,0 | D55E | Die Set MRP0925 | - | - | - | - | - |
| 500 Skt. | CIRB500KSKF80 | 50,0 | D55E | Die Set MRP0925 | - | - | - | - | - |

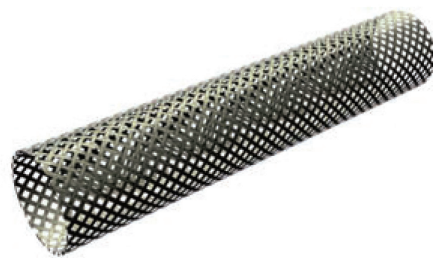
F80 COAX & TWINAX CONTACTS CRIMP & TOOLING DATA

| Contact Size & Type | Contact Part Number | Wire Size C.S.A. mm ² | Contact Section | Tool Required | Turret/Locator | Tool Setting | Tool Position If Applicable |
|---------------------|---------------------|----------------------------------|-----------------|---------------|----------------|--------------|-----------------------------|
| 4 Coax Pin | CIRB4CKPKF80P1001 | 0.5 | Inner | FT8 | TH619 | 4 | Red |
| | | | Screen | D55E/D51 | 31038 | - | - |
| 4 Coax Skt | CIRB4CKSKF80P1001 | 0.5 | Inner | FT8 | TH619 | 4 | Blue |
| | | | Screen | D55E/D51 | 31038 | - | - |
| 4 Coax Pin | CIRB4CKPKF80P1002 | 1.0 | Inner | FT8 | TH619 | 4 | Red |
| | | | Screen | D55E/D51 | HD51-150 | - | - |
| 4 Coax Skt. | CIRB4CKSKF80P1002 | 1.0 | Inner | FT8 | TH619 | 4 | Blue |
| | | | Screen | D55E/D51 | HD51-150 | - | - |
| 4 Twinax Pin | CIRB4TKPKF80P1 | 0.5/0.6 | Inner | FT8 | TH608 | 4 | Red |
| | | | Intermediate | HX4 | Y946 | - | - |
| | | | Screen | D55E/D51 | HD51-150 | - | - |
| 4 Twinax Skt | CIRB4TKSKF80P1 | 0.5/0.6 | Inner | FT8 | TH608 | 4 | Blue |
| | | | Intermediate | HX4 | Y946 | - | - |
| | | | Screen | D55E/D51 | HD51-150 | - | - |
| 4 Twinax Pin | CIRB4TKPKF80P1001 | 0.75/1.0 | Inner | FT8 | TH608 | 4 | Red |
| | | | Intermediate | HX4 | Y946 | - | - |
| | | | Screen | D55E/D51 | HD51-150 | - | - |
| 4 Twinax Skt. | CIRB4TKSKF80P1001 | 0.75/1.0 | Inner | FT8 | TH608 | 4 | Blue |
| | | | Intermediate | HX4 | Y946 | - | - |
| | | | Screen | D55E/D51 | HD51-150 | - | - |

| Tool Number | Supplier |
|-------------|----------|
| FT8 | DMC |
| WA27F | DMC |
| TH592 | DMC |
| HT250-3 | DMC |
| 67-012-01 | DMC |
| 67-016-01 | DMC |
| 68-012-01 | DMC |
| 68-016-01 | DMC |
| D51 | Dubuis |
| D55E | Dubuis |

RFI Braid Sock

| TE Connectors Part Number | Diameter | Length | Max Shell Size |
|---------------------------|----------|--------|----------------|
| CIRBMS035015 | ∅ 20 mm | 100 mm | 22 |
| CIRBMS050015 | ∅ 25 mm | 150 mm | 22 |
| CIRBMS020010 | ∅ 35 mm | 150 mm | 32 |
| CIRBMS025015 | ∅ 50 mm | 150 mm | 36 & 40 |



Bandit Strap

| TE Connectors Part Number | Length | Width | Max Shell Size |
|---------------------------|--------|--------|----------------|
| CIRB600052 | 520 mm | 6.1 mm | 32 |
| CIRB600090 | 900 mm | 6.1 mm | 36 & 40 |
| CIRB608109 | 362 mm | 4 mm | 22 |
| CIRB600057 | 07 mm | 3 mm | 22 |

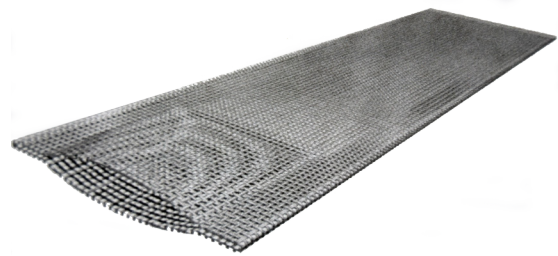


Bandit Tools

| TE Connectors Part Number | Tool Description |
|---------------------------|-------------------------------------|
| CIRB600058 | Standard Bandit Tool |
| CIRB600061 | Micro Bandit Tool (3mm Band Straps) |
| CIRB601200 | Calibration Kit |

Knitmesh Braid

| TE Connectors Part Number | Length | Width |
|---------------------------|--------|-------|
| CIRBMKM1050 | 500 mm | 25 mm |



For More Information

Follow us on Twitter for all the latest product news
@TEConnectivity, and on Facebook, TEConnectivity.

TE Connectivity (TE) Technical Support Center

North America +1 800 522 6752

Asia Pacific +86 0 400 820 6015

Austria +43 1 905 601 228

Baltic Regions +46 8 5072 5000

Benelux +31 73 6246 999

Czech Republic +420 800 701 462

France +33 1 34 20 86 86

Germany +49 6251 133 1999

Hungary +36 809 874 04

Italy +39 011 401 2632

Nordic +46 8 5072 5000

Poland +48 800 702 309

Russia +7495 790 790 2

Spain/Portugal +34 93 2910366

Switzerland +41 52 633 66 26

United Kingdom +44 800 267 666

te.com/Rail

© 2016 TE Connectivity Ltd. family of companies. All Rights Reserved. 1-1773858-1 JS 0316

EVERY CONNECTION COUNTS, TE Connectivity, TE connectivity (logo) and TE are trademarks of the TE Connectivity group of companies and its licensors.

SNCF, RATP, Alstom, Bombardier, LUL and other product or company names mentioned herein may be trademarks of their respective owners. While TE has made every reasonable effort to ensure the accuracy of the information herein, nothing herein constitutes any guarantee that such information is error-free, or any other representation, warranty or guarantee that the information is accurate, correct, reliable or current. The TE entity issuing this publication reserves the right to make any adjustments to the information contained herein at any time without notice. All implied warranties regarding the information contained herein, including, but not limited to, any implied warranties of merchantability or fitness for a particular purpose are expressly disclaimed.

The dimensions herein are for reference purposes only and are subject to change without notice. Specifications are subject to change without notice. Consult TE for the latest dimensions and design specifications.

X-ON Electronics

Largest Supplier of Electrical and Electronic Components

Click to view similar products for [TE Connectivity](#) manufacturer:

Other Similar products are found below :

[AA-400-128-MK3-EL-KIT-120](#) [D38999/20JD19PN](#) [9013-3-0702](#) [5-1814821-1](#) [8-1393129-7](#) [6334-206-13336](#) [2302789-2](#) [V23136-A0004-X075](#) [D38999/24MA35AN](#) [194-8002-00](#) [1954656-2](#) [8-1474653-5](#) [5-1814825-1](#) [1-1355222-8](#) [9-1474653-9](#) [351053-000](#) [9-1474653-5](#) [3-2176307-0](#) [6-5435802-3](#) [M83519/2-7](#) [892583-000](#) [894645-000](#) [568176-6](#) [568176-7](#) [5-690482-4](#) [570831-000](#) [CRB-48-70060](#) [5747840-2](#) [5749197-1](#) [5767006-7](#) [576723](#) [58061-1](#) [58062-1](#) [58284-1](#) [582843-6](#) [583785-000](#) [58380-1](#) [58380-2](#) [58435-1](#) [58443-1](#) [585435-000](#) [586863-000](#) [59170](#) [013750-000](#) [59826-1](#) [59909-7](#) [5JO-1000LG-SIL](#) [5JO-1000CD-SIL](#) [018598-000](#) [5R4-SS-PAL](#)