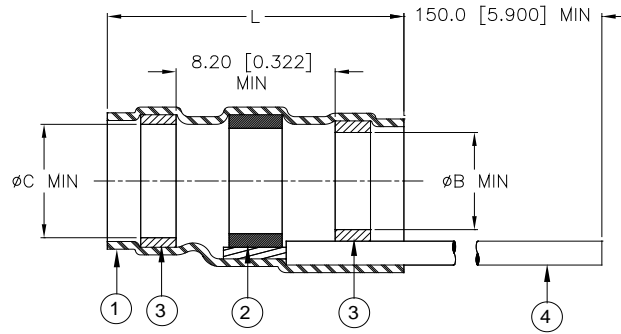


# CUSTOMER DRAWING



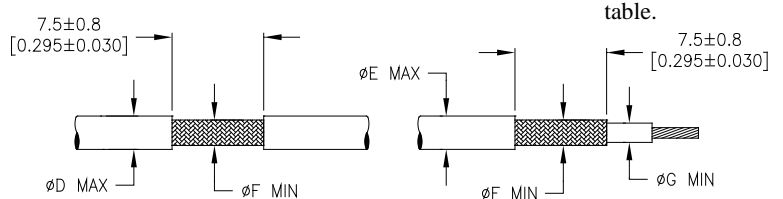
Product Name	Ident. Code	Color Code (CL)	Product Dimensions			Cable Dimensions			
			L±1.75 [L±0.075]	øB min	øC min	øD max	øE max	øF min	øG min
S200-1-55-GA-CL	S2001R	9	16.50 [0.650]	1.90 [0.075]	2.67 [0.105]	1.90 [0.075]	2.67 [0.105]	0.90 [0.035]	0.50 [0.020]
S200-2-55-GA-CL	S2002R	9	16.50 [0.650]	2.67 [0.105]	3.68 [0.145]	2.67 [0.105]	3.68 [0.145]	1.40 [0.055]	0.75 [0.030]
S200-3-55-GA-CL	S2003R	9	16.50 [0.650]	4.32 [0.170]	5.08 [0.200]	4.32 [0.170]	5.08 [0.200]	2.15 [0.085]	1.25 [0.050]
S200-4-55-GA-CL	S2004R	9	19.10 [0.750]	5.97 [0.235]	6.48 [0.255]	5.97 [0.235]	6.48 [0.255]	3.30 [0.130]	1.80 [0.070]
S200-5-55-GA-CL	S2005R	9	19.10 [0.750]	6.98 [0.275]	7.62 [0.300]	6.98 [0.275]	7.62 [0.300]	4.30 [0.170]	2.50 [0.100]

## MATERIALS

- INSULATION SLEEVE: Heat-shrinkable, transparent blue, radiation cross-linked modified fluoropolymer.
- SOLDER PREFORM WITH FLUX AND THERMAL INDICATOR:  
 SOLDER: TYPE Sn96 per ANSI / J-STD-006.  
 FLUX: TYPE ROM1 per ANSI / J-STD-004.  
 THERMAL INDICATOR: Fusible ring.
- MELTABLE RINGS: Environment resistant modified thermoplastic fluoropolymer. Color: light blue.
- PRE-INSTALLED LEAD: Stranded nickel-plated copper wire in accordance with SAE-AS22759/41. Color: see table.

## APPLICATION

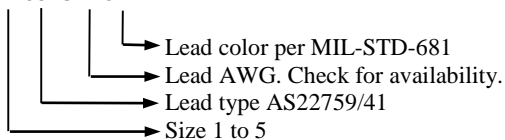
- These parts are designed to provide an environment resistant shield termination on cables, rated for 150°C minimum, meeting the dimensional criteria listed, having silver or nickel-plated shields and insulations compatible with the insert material.
- Install using TE Connectivity approved convection or infrared heating tools in accordance with TE Connectivity process standard RCPS-100-71. When installed with approved convection or infrared heating tools, assemblies will meet the performance requirements of SAE AS83519. Infrared tools are not recommended for use with black cable jackets.
- Parts shall be marked with identification code per table.
- Temperature range: -65°C to +200°C.
- For best results, prepare the cable as shown:



“G” is the minimum diameter on which the sleeve will seal.

## Part Number Guide:

S200-X-55-GA-CL



		<b>Raychem</b> Devices	TITLE: <b>SOLDERSLEEVE SHIELD TERMINATOR WITH LEADS, IMMERSION RESISTANT, 200 ° C ROHS COMPLIANT</b>			
UNLESS OTHERWISE SPECIFIED DIMENSIONS ARE IN MILLIMETERS. REFERENCE DIMENSIONS [INCHES] ARE IN BRACKETS.			DOCUMENT NO.: <b>S200-X-55-GA-CL</b>			
TOLERANCES: 0.00 N/A 0.0 N/A 0 N/A	ANGLES: N/A  ROUGHNESS IN MICRON	TE CONNECTIVITY (TE) RESERVES THE RIGHT TO CHANGE THIS DRAWING AT ANYTIME. USERS SHOULD EVALUATE THE SUITABILITY OF THE PRODUCT FOR THEIR APPLICATION.	DATE: <b>December 11, 2015</b>	REV.: <b>A</b>		
DRAWN BY: <b>L. RODRIGUEZ</b>	CAGE CODE: <b>06090</b>	REVISED PER: <b>ECO-15-017853</b>	PROD. NAME: <b>SEE TABLE</b>	SCALE: <b>NONE</b>	SIZE: <b>A</b>	SHEET: <b>1 of 1</b>

©2015 TE CONNECTIVITY, FAMILY OF COMPANIES. ALL RIGHT RESERVED.

If this document is printed it becomes uncontrolled. Check for the latest revision.

## X-ON Electronics

Largest Supplier of Electrical and Electronic Components

*Click to view similar products for [Solder Sleeves & Shield Tubing](#) category:*

*Click to view products by [TE Connectivity](#) manufacturer:*

Other Similar products are found below :

[D-260-C-A](#) [899170-000](#) [620040N001](#) [620069N003](#) [620263N004](#) [CTA-0050-01](#) [629624-000](#) [6501390002](#) [CX0781-000](#) [CX0782-000](#)  
[696396-000](#) [697080-000](#) [715325N001](#) [FLX40-030-02-CS8652](#) [D-436-38CS2908](#) [CB0213-000](#) [CB0219-000](#) [274384-000](#) [285343-000](#)  
[970053-000](#) [ST18-2-00](#) [FLX40-020-04-CS8651](#) [317035-000](#) [325534-000](#) [D-100-00-WOTI](#) [D-150-1011](#) [395947-000](#) [427243N001](#) [C03534-](#)  
[000](#) [CB0220-000](#) [D44133N001](#) [477436-000](#) [451893-000](#) [931289-000](#) [162583-000](#) [585769N001](#) [610001N004](#) [6200060004](#) [622041N003](#)  
[626167-000](#) [EG3678-000](#) [650075N002](#) [6500820003](#) [6500850004](#) [650126N010](#) [650127N005](#) [146201-000](#) [7400720001](#) [CA3200N001](#) [82-A2](#)