

TE Internal #: 183570-000

Standard Labels, Blank Labels, Die-Cut Label Style, Permanent, UL Listed No, Label Width 25.4 mm [1 in], Label Height 1 in [25.4 mm], Clear

[View on TE.com >](#)



Identification & Labeling > Labels > Standard Labels > CSL SELF LAMINATING POLYESTER LABELS



Label Type: **Blank Labels**

Label Style: **Die-Cut**

Label Adhesive Type: **Permanent**

UL Listed: **No**

Label Width: **25.4 mm [1 in]**

[All CSL SELF LAMINATING POLYESTER LABELS \(20\)](#)

Features

Product Type Features

Label Type	Blank Labels
------------	--------------

Body Features

Label Color	Clear
-------------	-------

Usage Conditions

Operating Temperature Range	-40 – 120 °C[-40 – 248 °F]
-----------------------------	----------------------------

Printer/Label Features

Recommended Printer	See TE Document 411-121005 the Printer Product Ribbon Matrix
---------------------	--

Recommended Printer Ribbon	See Printer Ribbon Matrix
----------------------------	---------------------------

Labels per Sheet	63
------------------	----

Printer Technology	Laser
--------------------	-------

Label Style	Die-Cut
-------------	---------

Label Width	25.4 mm[1 in]
-------------	---------------

Label Height	25.4 mm[1 in]
--------------	---------------

Label Material	Clear Polyester
----------------	-----------------

Industry Standards

UL Listed	No
-----------	----



Packaging Features

Packaging Quantity	2520
Packaging Method	Package

Other

Label Adhesive Type	Permanent
---------------------	-----------

Product Compliance

[For compliance documentation, visit the product page on TE.com>](#)

EU RoHS Directive 2011/65/EU	Compliant
EU ELV Directive 2000/53/EC	Compliant
China RoHS 2 Directive MIIT Order No 32, 2016	No Restricted Materials Above Threshold
EU REACH Regulation (EC) No. 1907/2006	Current ECHA Candidate List: JAN 2021 (211) Candidate List Declared Against: JAN 2021 (211) Does not contain REACH SVHC
Halogen Content	Low Halogen - Br, Cl, F, I < 900 ppm per homogenous material. Also BFR/CFR/PVC Free
Solder Process Capability	Not applicable for solder process capability

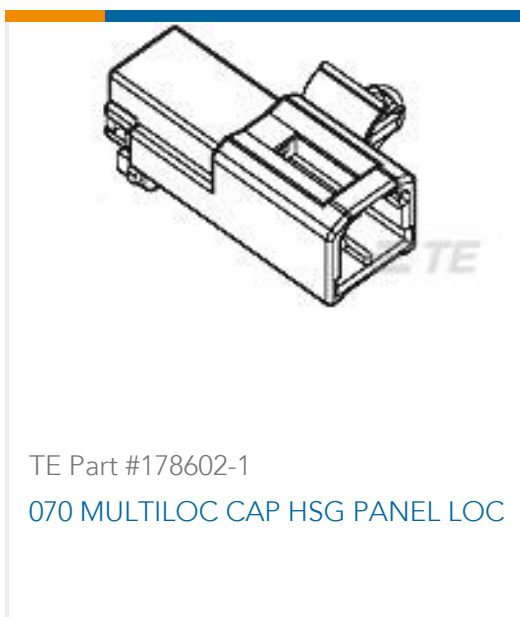
Product Compliance Disclaimer

This information is provided based on reasonable inquiry of our suppliers and represents our current actual knowledge based on the information they provided. This information is subject to change. The part numbers that TE has identified as EU RoHS compliant have a maximum concentration of 0.1% by weight in homogenous materials for lead, hexavalent chromium, mercury, PBB, PBDE, DBP, BBP, DEHP, DIBP, and 0.01% for cadmium, or qualify for an exemption to these limits as defined in the Annexes of Directive 2011/65/EU (RoHS2). Finished electrical and electronic equipment products will be CE marked as required by Directive 2011/65/EU. Components may not be CE marked. Additionally, the part numbers that TE has identified as EU ELV compliant have a maximum concentration of 0.1% by weight in homogenous materials for lead, hexavalent chromium, and mercury, and 0.01% for cadmium, or qualify for an exemption to these limits as defined in the Annexes of Directive 2000/53/EC (ELV). Regarding the REACH Regulation, the information TE provides on SVHC in articles for this part number is based on the latest European Chemicals Agency (ECHA) 'Guidance on requirements for substances in articles' posted at this URL: <https://echa.europa.eu/guidance-documents/guidance-on-reach>

Compatible Parts



Customers Also Bought



Documents

Product Drawings

[CR-106-LSR](#)

English

Datasheets & Catalog Pages

[CSL and LSR - Self-Laminating Laser Printable Polyester Labels](#)

English

X-ON Electronics

Largest Supplier of Electrical and Electronic Components

Click to view similar products for [Wire Labels & Markers](#) category:

Click to view products by [TE Connectivity](#) manufacturer:

Other Similar products are found below :

[89078GBEST](#) [89082GBESR](#) [89082GBEST](#) [PCL025-4](#) [5761-2SF](#) [58400](#) [586R734H02](#) [M1.040.0000.6](#) [CRS-CM5M](#) [CRS-M18M](#) [CS1836-000](#) [CS8626-000](#) [CU6337-000](#) [CU6342-000](#) [CU6343-000](#) [CWD01-0](#) [CWD012-0](#) [CWD012-7](#) [CWD015-3](#) [CWD015-7](#) [CWD02-0](#) [CWD02-3](#) [CWD02-4](#) [CWD02-6](#) [CWD02-8](#) [CWD02-A](#) [CWD02-D](#) [CWD02-H](#) [CWD02-K](#) [CWD02-L](#) [CWD02-M](#) [CWD02-P](#) [CWD02-Q](#) [CWD02-R](#) [CWD02-U](#) [CWD02-W](#) [CWD02-Y](#) [CWD03-+](#) [CWD03-0](#) [CWD03-P](#) [CWD06-0](#) [CWD06-8](#) [CWD06-9](#) [CWD06-L](#) [CWD06-N](#) [CWD09-0](#) [CWD09-5](#) [CWD09-7](#) [6806810001](#) [CZ2857-000](#)