

THIS DRAWING IS UNPUBLISHED.

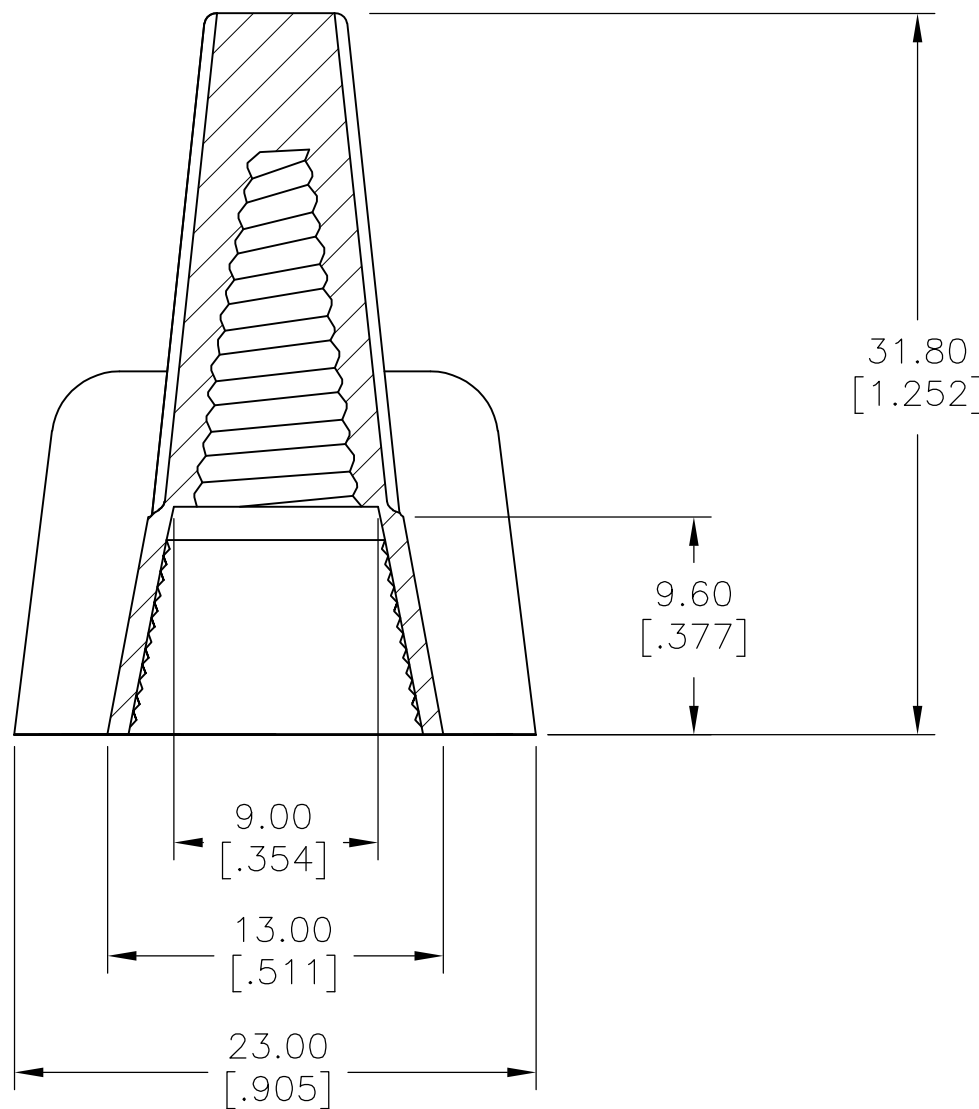
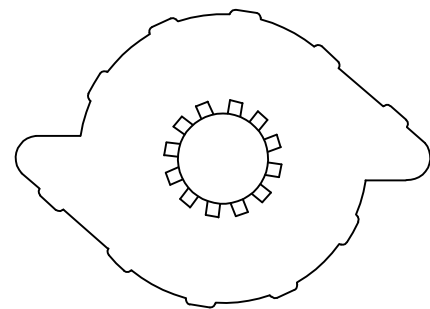
RELEASED FOR PUBLICATION

ALL RIGHTS RESERVED.

© COPYRIGHT - By -


REVISIONS

P	LTR	DESCRIPTION	DATE	DWN	APVD
	A	NEW DRAWING	16JAN2016	NK	RH



- 1 WORKING TEMPERATURE: 105° C
- 2 VOLTAGE: 300/600V MAX
- 3 COLOR: RED
- 4 WIRE RANGE: #18-#8 AWG MAX.5#12 SOL MIN. 3#16
- 5 SPRING INSERT: STEEL

2299507-1 AS SHOWN

THIS DRAWING IS A CONTROLLED DOCUMENT.		DWN NAGALAKSHMI K 16JAN2016	 TE Connectivity														
DIMENSIONS: mm [INCHES]		CHK HILL RYAN 16JAN2016															
TOLERANCES UNLESS OTHERWISE SPECIFIED:		APVD HILL RYAN 16JAN2016	NAME														
<table border="0"> <tr><td>0 PLC</td><td>± -</td></tr> <tr><td>1 PLC</td><td>± 0.2[.007]</td></tr> <tr><td>2 PLC</td><td>± 0.4[.015]</td></tr> <tr><td>3 PLC</td><td>± -</td></tr> <tr><td>4 PLC</td><td>± -</td></tr> <tr><td>ANGLES</td><td>± -</td></tr> </table>		0 PLC	± -	1 PLC	± 0.2[.007]	2 PLC	± 0.4[.015]	3 PLC	± -	4 PLC	± -	ANGLES	± -	PRODUCT SPEC -	CPGI-WC-WNG-RD-BULK		
0 PLC	± -																
1 PLC	± 0.2[.007]																
2 PLC	± 0.4[.015]																
3 PLC	± -																
4 PLC	± -																
ANGLES	± -																
MATERIAL TOUGH THERMOPLASTIC UL 94V-2 FLAME-RETARDANT		FINISH -	APPLICATION SPEC -	SIZE A3	CAGE CODE 00779	DRAWING NO C-2299507	RESTRICTED TO -										
CUSTOMER DRAWING			WEIGHT -	SCALE 3:1	SHEET 1 OF 1	REV A											

X-ON Electronics

Largest Supplier of Electrical and Electronic Components

Click to view similar products for [Terminals](#) category:

Click to view products by [TE Connectivity](#) manufacturer:

Other Similar products are found below :

[00-054007-01074-6](#) [00-054007-70206-1](#) [00-054007-70210-8](#) [00-054007-70217-7](#) [00-054007-70226-9](#) [00-054007-70228-3](#) [00-054007-70248-1](#) [00-054007-70256-6](#) [00-054007-70301-3](#) [00-054007-70316-7](#) [0-0320562-0](#) [00-054007-49560-4](#) [00-054007-70209-2](#) [00-054007-70225-2](#) [00-054007-70227-6](#) [00-054007-70231-3](#) [00-054007-70241-2](#) [00-054007-70242-9](#) [00-054007-70244-3](#) [00-054007-70246-7](#) [00-054007-70263-4](#) [00-054007-70288-7](#) [00-054007-70290-0](#) [00-054007-70300-6](#) [00-054007-70304-4](#) [01-2065-1-0216](#) [01-2900-1-04412](#) [00581P0075](#) [600TS-10](#) [60205-1](#) [604200-1](#) [605601-1](#) [60598-1-CUT-TAPE](#) [61314-6-C](#) [61810-3](#) [61-S](#) [61-SN](#) [626-0194](#) [62-NBM-A](#) [62-SN](#) [62-SP](#) [63-S](#) [640179-1](#) [M55155/059I03](#) [M55155/079C01](#) [M55155/099H02](#) [M55155/109H01](#) [M55155/109H02](#) [M55155/12XH05](#) [M55155/16XH02](#)