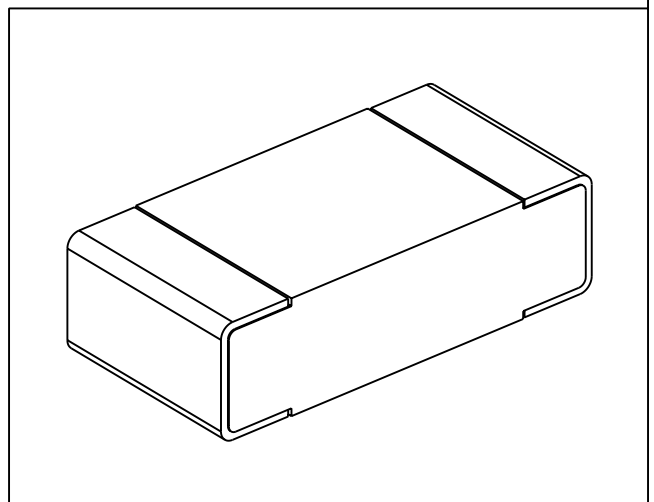
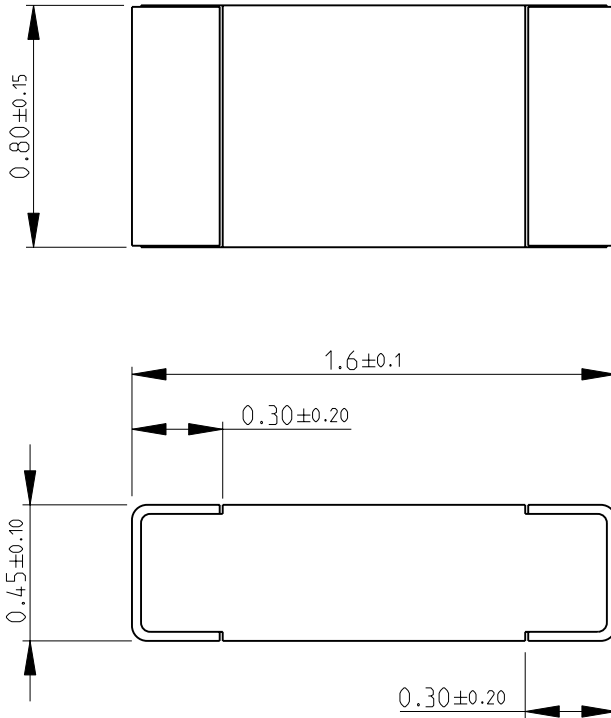


|     |      |           |     |             |           |     |      |
|-----|------|-----------|-----|-------------|-----------|-----|------|
| LOC | DIST | REVISIONS |     |             |           |     |      |
| E   | B    | P         | LTR | DESCRIPTION | DATE      | DWN | APVD |
|     |      |           | BA  | NEW RELEASE | 03-NOV-08 | SM  | St.P |

FOR FURTHER INFORMATION SEE DATA SHEET FOR  
CRG SERIES-THICK FILM CHIP RESISTORS



RoHS Compliant

2008

RELEASED FOR PUBLICATION

THIS DRAWING IS UNPUBLISHED.

BY TYCO ELECTRONICS CORPORATION. ALL RIGHTS RESERVED.



|  |                  |           |                                |  |             |               |       |        |
|--|------------------|-----------|--------------------------------|--|-------------|---------------|-------|--------|
| DIMENSIONS:<br>mm                      | DWN              | SUBHASH.M | 03-NOV-08                      | MATERIAL   | -           | FINISH        | -     |        |
|  | CHK              | PRAKASH.S | 03-NOV-08                      | Tyco Electronics Corporation<br>Dorcan, Swindon, SN3 5HH |             |               |       |        |
| TOLERANCES UNLESS OTHERWISE SPECIFIED: | APVD             | STEPHEN.P | 03-NOV-08                      |  |             |               |       |        |
| 0 PLC $\pm 0.5$                        | PRODUCT SPEC     | -         | NAME THICK FILM CHIP RESISTORS |  |             |               |       |        |
| 1 PLC $\pm 0.2$                        | APPLICATION SPEC | -         | SERIES CRG 0603                |  |             |               |       |        |
| 2 PLC $\pm 0.1$                        | WEIGHT           | -         | SIZE                           | CAGE CODE  | DRAWING NO  | RESTRICTED TO |       |        |
| 3 PLC $\pm -$                          |                  |           | A 4                            | 00779  | © = 1622898 | -             |       |        |
| 4 PLC $\pm -$                          |                  |           | CUSTOMER DRAWING               |  |             |               | SCALE | 40:1   |
| ANGLES $\pm 5^\circ$                   |                  |           |                                |  |             |               | SHEET | 1 OF 1 |
|  |                  |           |                                |  |             |               | REV   | BA     |

## X-ON Electronics

Largest Supplier of Electrical and Electronic Components

*Click to view similar products for* [Thick Film Resistors - SMD category:](#)

*Click to view products by* [TE Connectivity manufacturer:](#)

Other Similar products are found below :

[CR-05FL7--19K6](#) [CR-05FL7--243R](#) [CR-05FL7--40K2](#) [CR-12FP4--324R](#) [CR-12JP4--680R](#) [CRCW06036K80FKEE](#) [M55342K06B309DRS3](#)  
[M55342K06B6E81RS3](#) [M55342K08B100DRWB](#) [M55342M05B200DRWB](#) [M55342M06B26E7RS3](#) [MC0603-511-JTW](#) [742C083750JTR](#)  
[MCR01MZPF1601](#) [MCR01MZPF1800](#) [MCR01MZPJ822](#) [MCR03EZHZ103](#) [MCR03EZPFX1272](#) [MCR10EZPF2003](#) [RC0603F1473CS](#)  
[RC0603F150CS](#) [RC1005F1152CS](#) [RC1005F1182CS](#) [RC1005F1372CS](#) [RC1005F183CS](#) [RC1005F1911CS](#) [RC1005F1912CS](#)  
[RC1005F203CS](#) [RC1005F2052CS](#) [RC1005F241CS](#) [RC1005F2431CS](#) [RC1005F3011CS](#) [RC1005F303CS](#) [RC1005F4321CS](#)  
[RC1005F4642CS](#) [RC1005F471CS](#) [RC1005F4751CS](#) [RC1005F5621CS](#) [RC1005F6041CS](#) [RC1005J106CS](#) [RC1005J121CS](#) [RC1005J122CS](#)  
[RC1005J154CS](#) [RC1005J180CS](#) [RC1005J181CS](#) [RC1005J183CS](#) [RC1005J202CS](#) [RC1005J204CS](#) [RC1005J272CS](#) [RC1005J391CS](#)