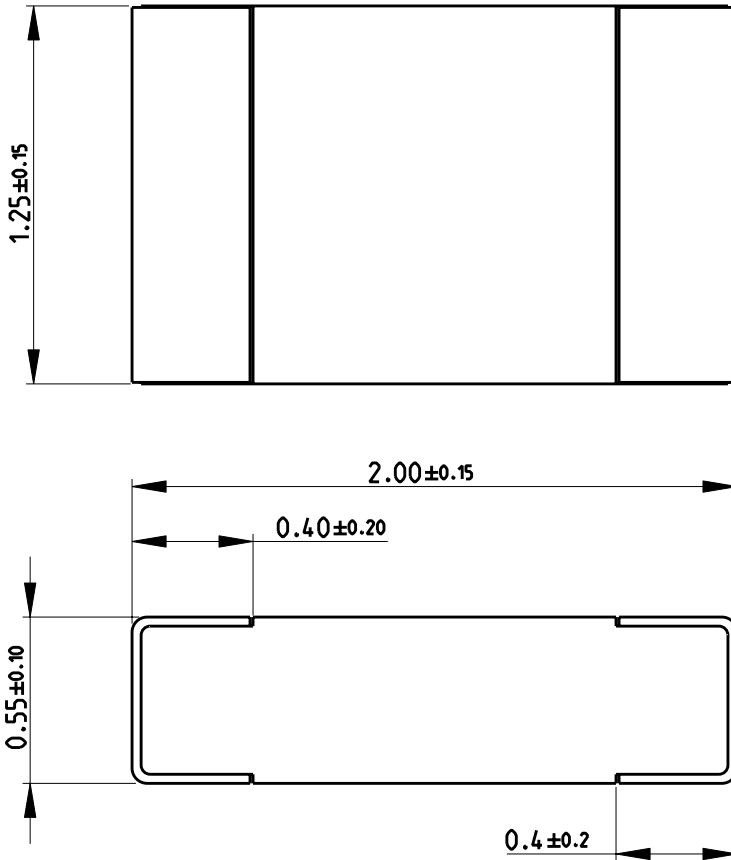
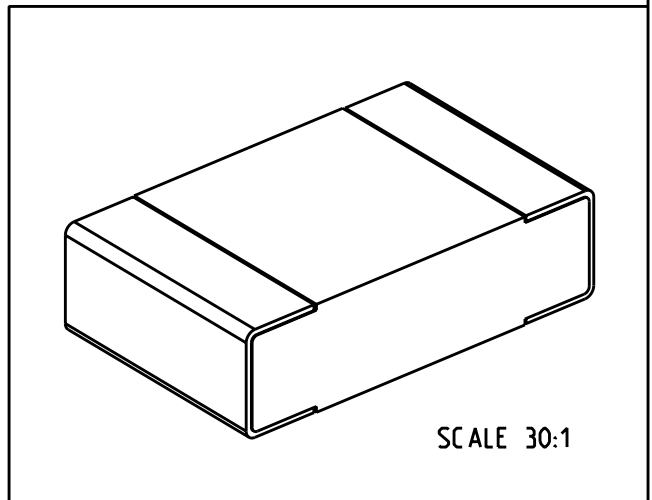


|     |      |           |     |             |           |     |      |
|-----|------|-----------|-----|-------------|-----------|-----|------|
| LOC | DIST | REVISIONS |     |             |           |     |      |
| E   | B    | P         | LTR | DESCRIPTION | DATE      | DWN | APVD |
|     |      | BA        |     | NEW RELEASE | 11-MAY-09 | SM  | SI.P |

FOR FURTHER INFORMATION SEE DATA SHEET FOR  
CRG SERIES-THICK FILM CHIP RESISTORS



RoHS Compliant



2009

RELEASED FOR PUBLICATION

THIS DRAWING IS UNPUBLISHED.

BY TYCO ELECTRONICS CORPORATION. ALL RIGHTS RESERVED.

© COPYRIGHT 2009

|  |               |                  |           |  |           |            |               |
|--|---------------|------------------|-----------|--|-----------|------------|---------------|
| DIMENSIONS:                            |               | DWN              | 11-MAY-09 | MATERIAL   | -         | FINISH     | -             |
| mm                                     |               | CHK              | 11-MAY-09 | Tyco Electronics Corporation<br>Dorcan, Swindon, SN3 5HH |           |            |               |
| TOLERANCES UNLESS OTHERWISE SPECIFIED: |               | APVD             | 11-MAY-09 |  |           |            |               |
| 0 PLC                                  | $\pm 0.5$     | STEPHEN.P        |           | NAME   |           |            |               |
| 1 PLC                                  | $\pm 0.2$     | PRODUCT SPEC     | -         | THICK FILM CHIP RESISTORS                                |           |            |               |
| 2 PLC                                  | $\pm 0.1$     | APPLICATION SPEC | -         | SERIES CRG 0805  |           |            |               |
| 3 PLC                                  | $\pm -$       | WEIGHT           | -         | SIZE   | CAGE CODE | DRAWING NO | RESTRICTED TO |
| 4 PLC                                  | $\pm -$       |                  |           | A 4  | 00779     | C- 1623254 | -             |
| ANGLES                                 | $\pm 5^\circ$ |                  |           | CUSTOMER DRAWING   |           |            |               |
|  |               |                  |           | SCALE  | 40:1      | SHEET      | 1 OF 1        |
|  |               |                  |           |  |           | REV        | BA            |

## X-ON Electronics

Largest Supplier of Electrical and Electronic Components

*Click to view similar products for* [Thick Film Resistors - SMD category:](#)

*Click to view products by* [TE Connectivity manufacturer:](#)

Other Similar products are found below :

[CR-05FL7--19K6](#) [CR-05FL7--243R](#) [CR-05FL7--40K2](#) [CR-12JP4--680R](#) [CRCW06036K80FKEE](#) [M55342K06B2E94RS2](#)  
[M55342K06B309DRS3](#) [M55342K06B6E81RS3](#) [M55342K08B100DRWB](#) [M55342M05B200DRWB](#) [MC0603-511-JTW](#) [742C083750JTR](#)  
[MCR01MZPF1202](#) [MCR01MZPF1601](#) [MCR01MZPF1800](#) [MCR01MZPF6201](#) [MCR01MZPF9102](#) [MCR01MZPJ113](#) [MCR01MZPJ121](#)  
[MCR01MZPJ125](#) [MCR01MZPJ203](#) [MCR01MZPJ751](#) [MCR01MZPJ822](#) [MCR03EZHJ103](#) [MCR03EZPFX1272](#) [MCR03EZPJ123](#)  
[MCR03EZPJ270](#) [MCR03EZPJ821](#) [MCR10EZPF1102](#) [MCR10EZPF2003](#) [MCR10EZPF2700](#) [MCR18EZPJ330](#) [RC0603F1473CS](#)  
[RC0603F150CS](#) [RC1005F1152CS](#) [RC1005F1182CS](#) [RC1005F1372CS](#) [RC1005F183CS](#) [RC1005F1911CS](#) [RC1005F1912CS](#)  
[RC1005F203CS](#) [RC1005F2052CS](#) [RC1005F241CS](#) [RC1005F2431CS](#) [RC1005F3011CS](#) [RC1005F303CS](#) [RC1005F4321CS](#)  
[RC1005F4642CS](#) [RC1005F471CS](#) [RC1005F4751CS](#)