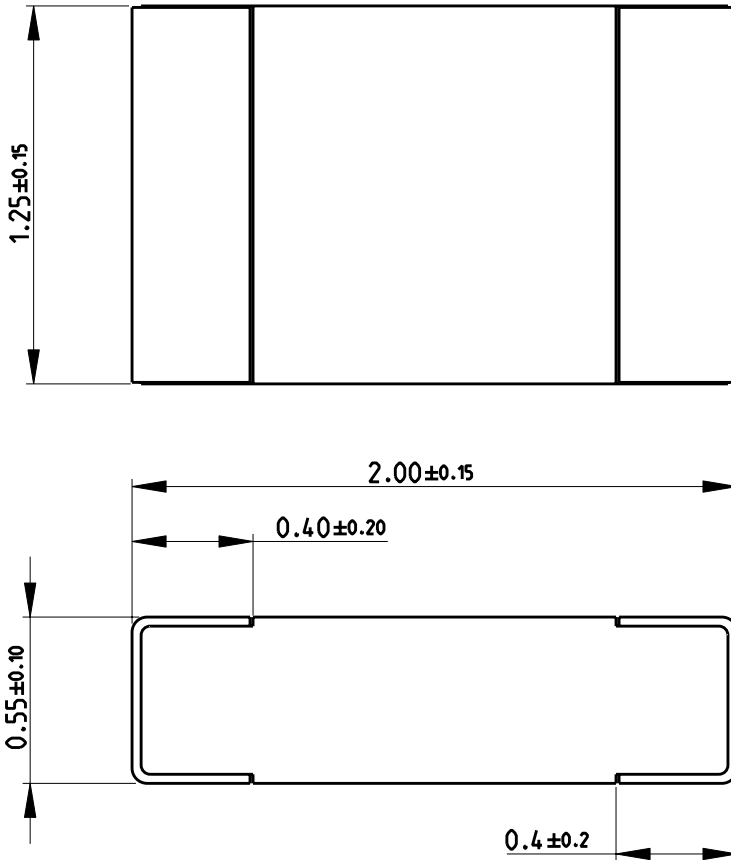
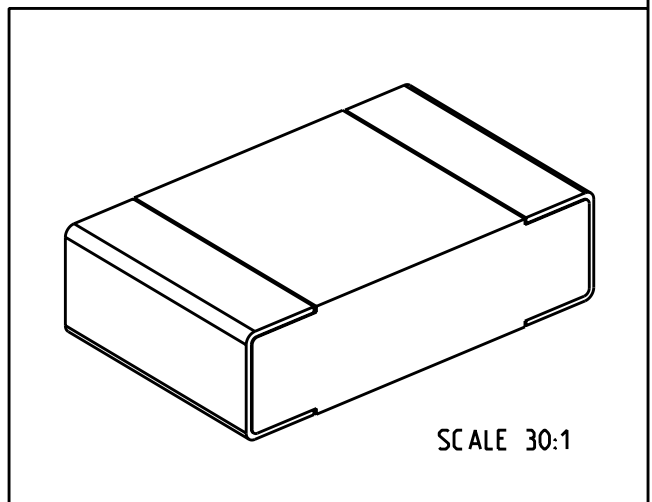


|     |      |           |     |             |           |     |      |
|-----|------|-----------|-----|-------------|-----------|-----|------|
| LOC | DIST | REVISIONS |     |             |           |     |      |
| E   | B    | P         | LTR | DESCRIPTION | DATE      | DWN | APVD |
|     |      | BA        |     | NEW RELEASE | 11-MAY-09 | SM  | St.P |

FOR FURTHER INFORMATION SEE DATA SHEET FOR  
CRG SERIES-THICK FILM CHIP RESISTORS



RoHS Compliant



SCALE 30:1

2009

RELEASED FOR PUBLICATION

THIS DRAWING IS UNPUBLISHED.

© COPYRIGHT 2009 BY TYCO ELECTRONICS CORPORATION. ALL RIGHTS RESERVED.

|  |  |                  |           |  |           |            |               |
|--|--|------------------|-----------|--|-----------|------------|---------------|
| DIMENSIONS:                            |  | DWN              | 11-MAY-09 | MATERIAL   | -         | FINISH     | -             |
| mm                                     |  | SUBHASH.M        |           | Tyco Electronics Corporation<br>Dorcan, Swindon, SN3 5HH |           |            |               |
| TOLERANCES UNLESS OTHERWISE SPECIFIED: |  | CHK              | 11-MAY-09 |  |           |            |               |
| 0 PLC ± 0.5                            |  | PRAKASH.S        |           |  |           |            |               |
| 1 PLC ± 0.2                            |  | APVD             | 11-MAY-09 | NAME   |           |            |               |
| 2 PLC ± 0.1                            |  | STEPHEN.P        |           | THICK FILM CHIP RESISTORS                                |           |            |               |
| 3 PLC ± -                              |  | PRODUCT SPEC     | -         | SERIES CRG 0805  |           |            |               |
| 4 PLC ± -                              |  | APPLICATION SPEC | -         | SIZE   | CAGE CODE | DRAWING NO | RESTRICTED TO |
| ANGLES ± 5°                            |  | WEIGHT           | -         | A 4  | 00779     | C- 1623256 | -             |
| CUSTOMER DRAWING                       |  |                  |           | SCALE  | 40:1      | SHEET      | 1 OF 1        |
|  |  |                  |           | REV  |           |            |               |
|  |  |                  |           | BA   |           |            |               |

## X-ON Electronics

Largest Supplier of Electrical and Electronic Components

*Click to view similar products for* [Thick Film Resistors - SMD category:](#)

*Click to view products by* [TE Connectivity manufacturer:](#)

Other Similar products are found below :

[CR-05FL7--19K6](#) [CR-05FL7--243R](#) [CR-05FL7--40K2](#) [CR-12FP4--324R](#) [CR-12JP4--680R](#) [CRCW06036K80FKEE](#) [M55342K06B309DRS3](#)  
[M55342K06B6E81RS3](#) [M55342K08B100DRWB](#) [M55342M05B200DRWB](#) [M55342M06B26E7RS3](#) [MC0603-511-JTW](#) [742C083750JTR](#)  
[MCR01MZPF1601](#) [MCR01MZPF1800](#) [MCR01MZPJ822](#) [MCR03EZHZ103](#) [MCR03EZPFX1272](#) [MCR10EZPF2003](#) [RC0603F1473CS](#)  
[RC0603F150CS](#) [RC1005F1152CS](#) [RC1005F1182CS](#) [RC1005F1372CS](#) [RC1005F183CS](#) [RC1005F1911CS](#) [RC1005F1912CS](#)  
[RC1005F203CS](#) [RC1005F2052CS](#) [RC1005F241CS](#) [RC1005F2431CS](#) [RC1005F3011CS](#) [RC1005F303CS](#) [RC1005F4321CS](#)  
[RC1005F4642CS](#) [RC1005F471CS](#) [RC1005F4751CS](#) [RC1005F5621CS](#) [RC1005F6041CS](#) [RC1005J106CS](#) [RC1005J121CS](#) [RC1005J122CS](#)  
[RC1005J154CS](#) [RC1005J180CS](#) [RC1005J181CS](#) [RC1005J183CS](#) [RC1005J202CS](#) [RC1005J204CS](#) [RC1005J272CS](#) [RC1005J391CS](#)