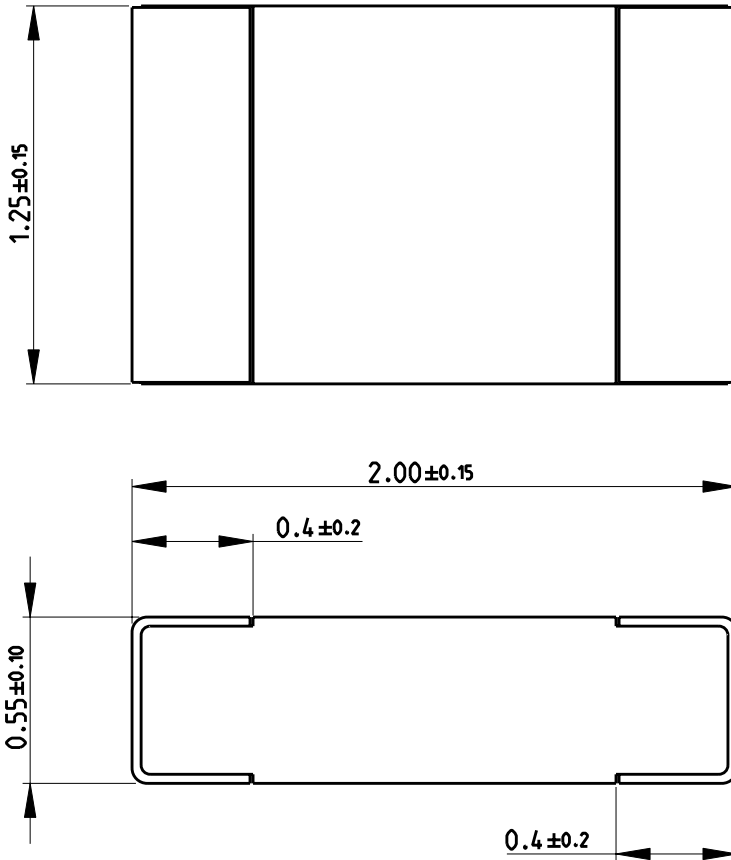
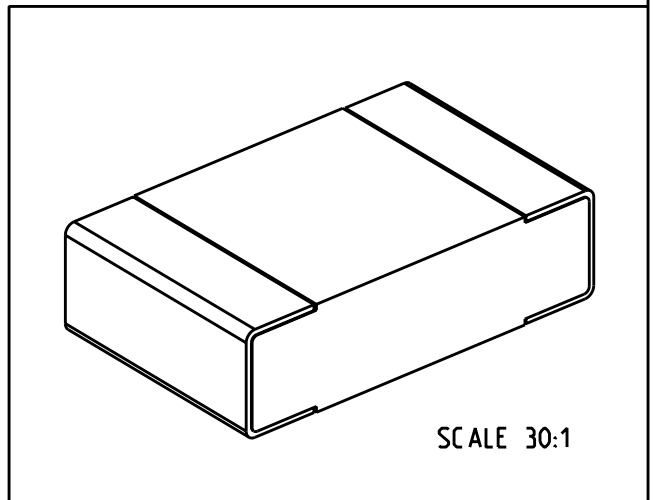


| | | | | | | | |
|-----|------|-----------|-----|-------------|-----------|-----|------|
| LOC | DIST | REVISIONS | | | | | |
| E | B | P | LTR | DESCRIPTION | DATE | DWN | APVD |
| | | BA | | NEW RELEASE | 06-AUG-09 | SM | St.P |

FOR FURTHER INFORMATION SEE DATA SHEET FOR
CRG SERIES-THICK FILM CHIP RESISTORS



RoHS Compliant



SCALE 30:1

2009

RELEASED FOR PUBLICATION

THIS DRAWING IS UNPUBLISHED.

BY TYCO ELECTRONICS CORPORATION. ALL RIGHTS RESERVED.

© COPYRIGHT 2009

| | | | | | | | |
|--|-------|------------------|-----------|--|-----------|------------|---------------|
| DIMENSIONS: | | DWN | 06-AUG-09 | MATERIAL | - | FINISH | - |
| mm | | CHK | 06-AUG-09 | Tyco Electronics Corporation Dorcan, Swindon, SN3 5HH | | | |
| TOLERANCES UNLESS OTHERWISE SPECIFIED: | | APVD | 06-AUG-09 | | | | |
| 0 PLC | ± 0.5 | PRODUCT SPEC | - | NAME | | | |
| 1 PLC | ± 0.2 | APPLICATION SPEC | - | THICK FILM CHIP RESISTORS | | | |
| 2 PLC | ± 0.1 | WEIGHT | - | SIZE | CAGE CODE | DRAWING NO | RESTRICTED TO |
| 3 PLC | ± - | | | A 4 | 00779 | C- 1623266 | - |
| 4 PLC | ± - | | | CUSTOMER DRAWING | | | |
| ANGLES | ± 5° | | | SCALE | 40:1 | SHEET | 1 OF 1 |
| | | | | REV BA | | | |

X-ON Electronics

Largest Supplier of Electrical and Electronic Components

Click to view similar products for [Thick Film Resistors - SMD category:](#)

Click to view products by [TE Connectivity manufacturer:](#)

Other Similar products are found below :

[CR-05FL7--19K6](#) [CR-05FL7--243R](#) [CR-05FL7--40K2](#) [CR-12JP4--680R](#) [CRCW06036K80FKEE](#) [M55342K06B2E94RS2](#)
[M55342K06B309DRS3](#) [M55342K06B6E81RS3](#) [M55342K08B100DRWB](#) [M55342M05B200DRWB](#) [MC0603-511-JTW](#) [742C083750JTR](#)
[MCR01MZPF1202](#) [MCR01MZPF1601](#) [MCR01MZPF1800](#) [MCR01MZPF6201](#) [MCR01MZPF9102](#) [MCR01MZPJ113](#) [MCR01MZPJ121](#)
[MCR01MZPJ125](#) [MCR01MZPJ203](#) [MCR01MZPJ751](#) [MCR01MZPJ822](#) [MCR03EZHJ103](#) [MCR03EZPFX1272](#) [MCR03EZPJ123](#)
[MCR03EZPJ270](#) [MCR03EZPJ821](#) [MCR10EZPF1102](#) [MCR10EZPF2003](#) [MCR10EZPF2700](#) [MCR18EZPJ330](#) [RC0603F1473CS](#)
[RC0603F150CS](#) [RC1005F1152CS](#) [RC1005F1182CS](#) [RC1005F1372CS](#) [RC1005F183CS](#) [RC1005F1911CS](#) [RC1005F1912CS](#)
[RC1005F203CS](#) [RC1005F2052CS](#) [RC1005F241CS](#) [RC1005F2431CS](#) [RC1005F3011CS](#) [RC1005F303CS](#) [RC1005F4321CS](#)
[RC1005F4642CS](#) [RC1005F471CS](#) [RC1005F4751CS](#)