



# CODE 54 - TINEL-LOCK BACKSHELL

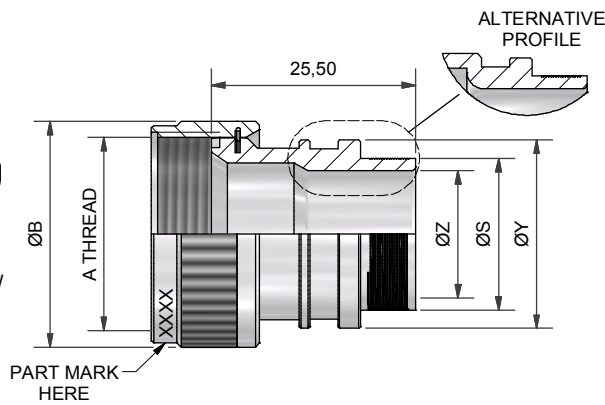
**TXR54AB00-1608AI-S**

SERIES \_\_\_\_\_  
 TXR: RING INCLUDED  
 (SEE RING OPTION)  
 TX: RING NOT INCLUDED  
 CONNECTOR INTERFACE \_\_\_\_\_  
 MATERIAL \_\_\_\_\_  
 REFER TO CH00-0250-008  
 FINISH \_\_\_\_\_  
 REFER TO CH00-0250-008  
 ANGLE \_\_\_\_\_  
 DASH NUMBER (TABLE 1) \_\_\_\_\_  
 ENTRY SIZE (TABLE 2) \_\_\_\_\_  
 RING OPTION \_\_\_\_\_  
 AI - TO SUIT SINGLE BRAID  
 BI - TO SUIT DOUBLE BRAID  
 FOR TX, LEAVE BLANK  
 MODIFICATION CODE \_\_\_\_\_  
 REFER TO CH00-0250-008

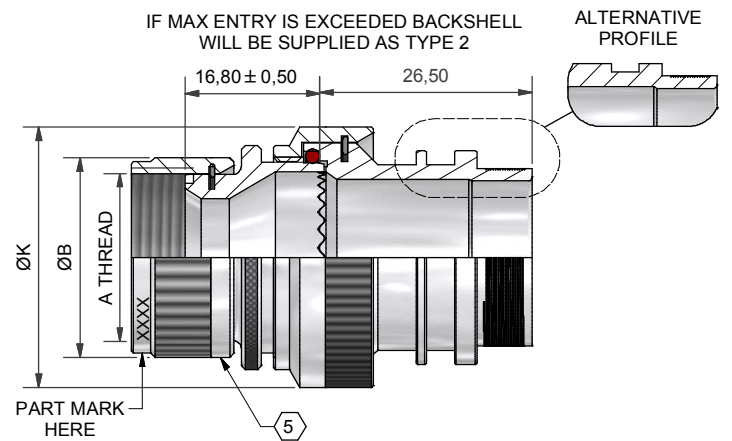
## NOTES:

1. THIS PRODUCT IS DESIGNED TO TERMINATE A BRAIDED CABLE SHIELD AND A HEAT SHRINKABLE LIPPED BOOT TO A CONNECTOR.
2. FOR ADDITIONAL DIMENSIONS, ORDERING INFORMATION AND MODIFICATIONS, SEE CH00-0250-008.
3. SEE DRAWING TR FOR DETAIL ON TINEL-LOCK RING, RINGS ARE DESIGNED TO BE HEATED ELECTRICALLY, ALL RINGS ARE MARKED WITH THERMOCHROMIC PAINT WHICH CHANGES COLOUR WHEN INSTALLATION TEMPERATURE IS REACHED.
4. BACKSHELL TO BE PERMANENTLY MARKED/BAGGED AND LABELLED WITH CODE IDENTIFICATION NUMBER AND PART NUMBER LESS RING DESIGNATOR. (e.g. 06090-TXR54AB00-1206). RING SHALL BEAR NO MARKING.
5. FOR LARGER ENTRY SIZES, A 2 PIECE BACKSHELL ASSEMBLY (TYPE 2) IS SUPPLIED.
6. BACKSHELL MATES TO MIL-C-81703, SERIES III, MS3424, MS3446, MS3464, MS3467, MS3468
7. BACKSHELL MATES TO MIL-C-5015G, MS3400 SERIES, CLASS D, E, K, L, U & W, MS3400, MS3401, MS3404, MS3406 MS3424, MS3446, MS3464, MS3467, MS3468, MS3450, MS3451, MS3454, MS3456, MS3470, MS3471, MS3472, MS3474, MS3475, MS3476. MIL-C-83723, SERIES II, CLASS A & L. MIL-C-83723, SERIES I & II, CLASS A, G, K, R & S: M83723/1, /2, /3, /4, /5, /6, /7, /8, /13, /14, /36, /37, /38, /39, /40, /41, /42, /43, /48, /49, /65, /66, /67, /68, /69, /70, /71, /72, /73, /74, /75, /76, /77, /78, /82, /83, /84, /85, /86, /87, /91, /92, /95, /97, /98, (MS3155 CONTROLLED INTERFACE).
8. THESE DIMENSIONS APPLY IF A SELF-LOCKING COUPLING NUT IS USED.

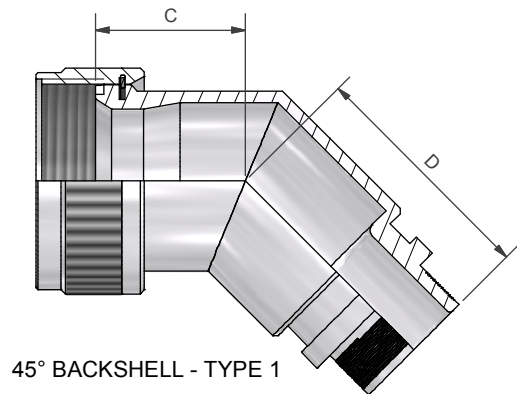
|  |                           |             |                 |  |  |                                    |
|--|---------------------------|-------------|-----------------|--|--|------------------------------------|
| <b>DRAWN</b>                                       | K.WINCZURA                | DATE        | 01/12/2014      |  | <b>TITLE:</b><br><br><b>TINEL-LOCK BACKSHELL</b>                                   |                                    |
| <b>CHECKED</b>                                     |                           | DATE        | 01/12/2014      |  |  |                                    |
| <b>APPROVED</b>                                    | K.SHEPPARD                | DATE        | 04/12/2014      | UNLESS OTHERWISE SPECIFIED<br>ALL DIMENSIONS IN MILLIMETRES<br><b>GENERAL TOL</b><br>LINEAR +/-0.25MM<br>ANGULAR +/- 1°  | <b>ASSY USED ON:</b><br><br>MIL-DTL-26482 SERIES II / MIL-DTL-83723 SERIES I & III |                                    |
| <b>APPROVED</b>                                    |                           |             |                 |  |  |                                    |
| <b>REVISIONS</b>                                   |                           |             |                 |  |  |                                    |
| <b>LTR</b>   | <b>DESCRIPTION</b>        | <b>DATE</b> | <b>APPROVED</b> |  |  |                                    |
| K  | REVISED PER ECO-15-002312 | 13.02.15    | H.SMITH         |  |  |                                    |
| L  | REVISED PER ECO-17-009011 | 21.06.17    | D.JONES         |  |  |                                    |
| TE CAGE CODE: 06090<br>POLAMCO/TE CAGE CODE: U5792 |                           |             |                 | TE CONNECTIVITY - POLAMCO LTD RESERVES THE RIGHT TO AMEND THIS DRAWING AND THE INFORMATION SET FORTH HEREON AT ANY TIME. USERS SHOULD INDEPENDENTLY EVALUATE THE SUITABILITY OF THE PRODUCT FOR THEIR APPLICATION. |  | <b>DRAWING NO:</b><br><b>TXR54</b> |
|  |                           |             |                 | <b>DRAWING REV:</b><br><b>L</b>  | <b>SHT</b><br><b>1</b>   |                                    |



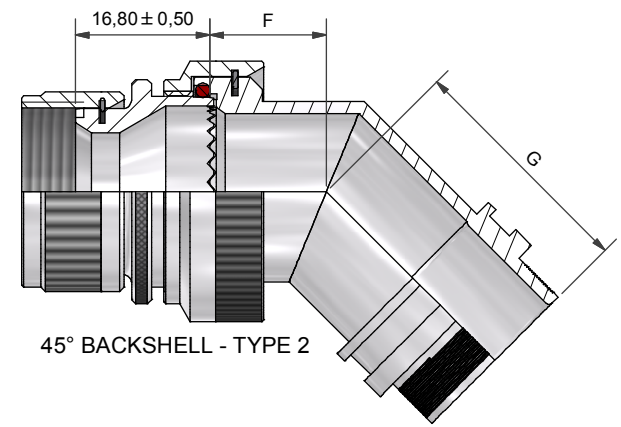
STRAIGHT BACKSHELL - TYPE 1



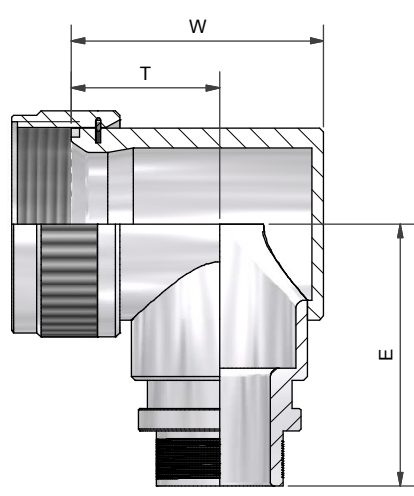
STRAIGHT BACKSHELL - TYPE 2



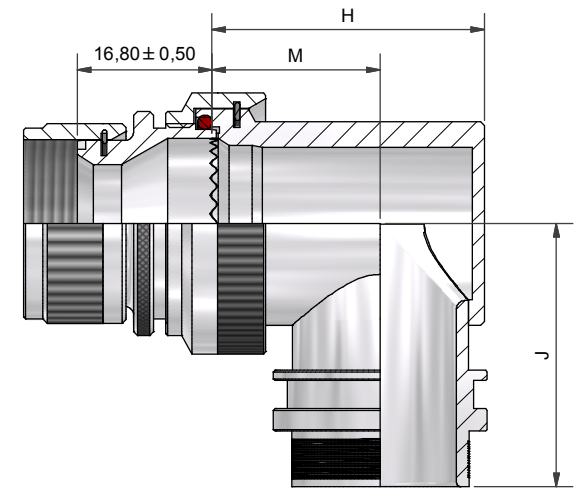
45° BACKSHELL - TYPE 1



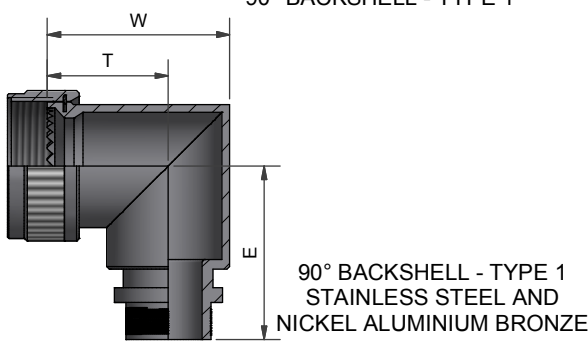
45° BACKSHELL - TYPE 2



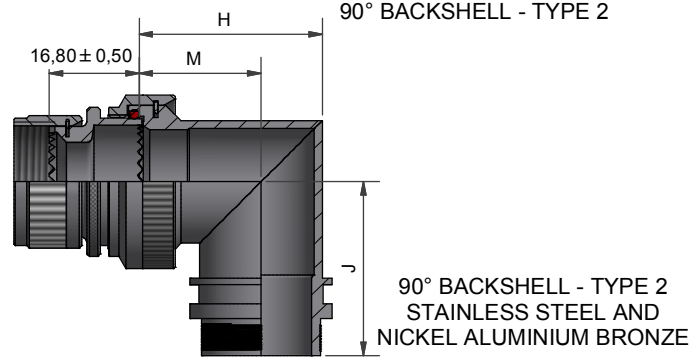
90° BACKSHELL - TYPE 1



90° BACKSHELL - TYPE 2



90° BACKSHELL - TYPE 1  
STAINLESS STEEL AND  
NICKEL ALUMINIUM BRONZE



90° BACKSHELL - TYPE 2  
STAINLESS STEEL AND  
NICKEL ALUMINIUM BRONZE

|           |                           |          |            |
|-----------|---------------------------|----------|------------|
| DRAWN     | K.WINCZURA                | DATE     | 01/12/2014 |
| CHECKED   |                           | DATE     | 01/12/2014 |
| APPROVED  | K.SHEPPARD                | DATE     | 04/12/2014 |
| APPROVED  |                           |          |            |
| REVISIONS |                           |          |            |
| LTR       | DESCRIPTION               | DATE     | APPROVED   |
| K         | REVISED PER ECO-15-002312 | 13.02.15 | H.SMITH    |
| L         | REVISED PER ECO-17-009011 | 21.06.17 | D.JONES    |

3RD ANGLE PROJECTION  
NOT TO SCALE

UNLESS OTHERWISE SPECIFIED  
ALL DIMENSIONS IN MILLIMETRES  
GENERAL TOL  
LINEAR +/-0.25MM  
ANGULAR +/- 1°

TITLE:  
**TINEL-LOCK BACKSHELL**

ASSY USED ON:  
**MIL-DTL-26482 SERIES II / MIL-DTL-83723 SERIES I & III**



TE CAGE CODE: 06090  
POLAMCO/TE CAGE CODE: U5792

TE CONNECTIVITY - POLAMCO LTD RESERVES THE RIGHT TO AMEND THIS DRAWING AND THE INFORMATION SET FORTH HEREON AT ANY TIME. USERS SHOULD INDEPENDENTLY EVALUATE THE SUITABILITY OF THE PRODUCT FOR THEIR APPLICATION.

|                             |                          |                 |
|-----------------------------|--------------------------|-----------------|
| DRAWING NO:<br><b>TXR54</b> | DRAWING REV:<br><b>L</b> | SHT<br><b>2</b> |
|-----------------------------|--------------------------|-----------------|

# MODIFICATION S (SELF-LOCKING COUPLING NUT)

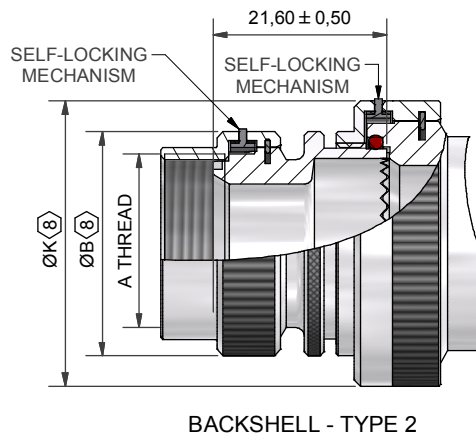
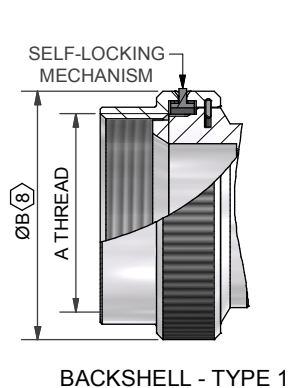


TABLE 1

| ORDER NO. | SHELL SIZE |               | A THREAD       | ØB MAX | ØB MAX (8) | MAX ENTRY | C ±0,5 | D ±0,5 | W ±0,5 | T ±0,5 | E ±0,5 | THESE DIMENSIONS APPLY IF BACKSHELL IS STAINLESS STEEL OR NICKEL ALUMINIUM BRONZE |        |        |
|-----------|------------|---------------|----------------|--------|------------|-----------|--------|--------|--------|--------|--------|---|--------|--------|
|           | (6)        | (7)           |                |        |            |           |        |        |        |        |        | W ±0,5  | T ±0,5 | E ±0,5 |
| 03        | 3          |               | 9/16-24 UNEF   | 17,0   | 19,4       | 04        | 16,8   | 27,0   | 26,4   | 17,8   | 25,9   | 26,3  | 16,0   | 25,9   |
| 08        |            | 8 & 8S        | 1/2-20 UNF     | 15,6   | 18,0       | 04        | 16,6   | 26,8   | 24,5   | 17,5   | 26,2   | 22,4  | 17,5   | 26,2   |
| 10        |            | 10, 10S, 10SL | 5/8-24 UNEF    | 18,6   | 21,0       | 06        | 16,8   | 27,5   | 26,5   | 17,8   | 28,0   | 25,0  | 18,8   | 28,0   |
| 12        | 7          | 12 & 12S      | 3/4-20 UNEF    | 21,7   | 25,0       | 08        | 17,3   | 28,0   | 29,0   | 18,7   | 29,5   | 28,3  | 20,4   | 29,5   |
| 14        | 12         | 14 & 14S      | 7/8-20 UNEF    | 24,9   | 28,0       | 08        | 18,1   | 29,0   | 30,5   | 19,0   | 30,3   | 30,4  | 21,5   | 31,0   |
| 16        | 19         | 16 & 16S      | 1-20 UNEF      | 28,2   | 31,0       | 10        | 19,0   | 29,7   | 34,0   | 21,0   | 32,7   | 33,5  | 23,0   | 32,7   |
| 18        | 27         | 18            | 1 1/16-18 UNEF | 30,9   | 34,0       | 12        | 19,2   | 30,5   | 37,0   | 23,5   | 32,7   | 35,5  | 24,0   | 32,7   |
| 20        | 37         | 20            | 1 3/16-18 UNEF | 34,1   | 36,5       | 14        | 20,1   | 30,9   | 42,0   | 27,0   | 34,3   | 38,8  | 25,7   | 34,3   |
| 22        |            | 22            | 1 5/16-18 UNEF | 37,3   | 39,8       | 16        | 20,3   | 31,1   | 44,0   | 27,0   | 35,8   | 41,9  | 27,2   | 35,8   |
| 24        |            | 24            | 1 7/16-18 UNEF | 40,4   | 42,0       | 18        | 21,8   | 32,1   | 45,0   | 27,0   | 37,4   | 44,8  | 28,7   | 37,4   |
| 28        |            | 28            | 1 3/4-18UNS    | 50,0   | 49,8       | 22        | 23,3   | 32,5   | 54,2   | 31,4   | 41,9   | 50,7  | 31,6   | 41,9   |
| 32        |            | 32            | 2-18 UNS       | 56,3   | 57,2       | 24        | 25,0   | 29,3   | 60,9   | 36,4   | 45,3   | 60,0  | 33,5   | 45,3   |
| 36        |            | 36            | 2 1/4-16 UN    | 62,7   | 63,6       | 28        | 26,2   | 30,7   | 67,2   | 38,0   | 48,4   | 65,5  | 36,0   | 48,4   |
| 40        |            | 40            | 2 1/2-16 UN    | 69,0   | 70,0       | 28        | 28,6   | 32,0   | 73,2   | 41,0   | 51,4   | 72,0  | 39,3   | 51,4   |
| 44        |            | 44            | 2 3/4-16 UN    | 75,4   | 75,4       | 28        | 30,1   | 33,7   | 79,5   | 44,1   | 54,6   | 75,5  | 40,8   | 54,6   |
| 48        |            | 48            | 3-16UN         | 81,7   | 81,7       | 28        | 31,3   | 34,9   | 85,8   | 47,2   | 57,7   | 75,5  | 40,8   | 57,7   |
| 61        | 61         |               | 1 1/2-18 UNEF  | 42,0   | 43,6       | 18        | 22,1   | 26,6   | 47,8   | 28,0   | 38,7   | 48,3  | 27,0   | 38,7   |

TABLE 2

| ENTRY SIZE | ØZ MIN | ØS            | ØY ± 0,3 | ØK MAX | ØK MAX (8) | F ±0,5 | G ±0,5 | H ±0,5 | M ±0,5 | J ±0,5 | THESE DIMENSIONS APPLY IF BACKSHELL IS STAINLESS STEEL OR NICKEL ALUMINIUM BRONZE |        |        |      |
|------------|--------|---------------|----------|--------|------------|--------|--------|--------|--------|--------|---|--------|--------|------|
|            |        |               |          |        |            |        |        |        |        |        | H ±0,5  | M ±0,5 | J ±0,5 |      |
| 04         | 6,35   | 9,49 +/-0,04  | 14,00    | NA     | NA         | NA     | NA     | NA     | NA     | NA     | NA  | NA     | NA     | NA   |
| 05         | 7,92   | 11,06 +/-0,04 | 15,50    | 21,0   | 24,6       | 12,5   | 27,5   | 24,0   | 15,5   | 27,95  | 24,3  | 17,2   | 28,2   | 28,2 |
| 06         | 9,53   | 12,66 +/-0,04 | 17,10    | 21,0   | 24,6       | 12,5   | 27,5   | 24,0   | 15,5   | 27,95  | 24,3  | 17,2   | 28,2   | 28,2 |
| 07         | 11,10  | 14,21 +/-0,07 | 18,70    | 21,0   | 24,6       | 12,5   | 27,5   | 24,0   | 15,5   | 27,95  | 24,3  | 17,2   | 28,2   | 28,2 |
| 08         | 12,70  | 15,81 +/-0,07 | 20,30    | 24,5   | 28,3       | 13,1   | 28,0   | 27,0   | 17,0   | 29,45  | 28,3  | 19,4   | 29,7   | 29,7 |
| 10         | 15,88  | 18,96 +/-0,08 | 23,50    | 29,0   | 32,4       | 13,5   | 29,0   | 31,0   | 19,5   | 31,00  | 31,1  | 21,0   | 31,2   | 31,2 |
| 12         | 19,05  | 22,14 +/-0,08 | 26,70    | 32,5   | 35,6       | 14,5   | 29,7   | 34,0   | 21,0   | 32,70  | 34,2  | 22,8   | 32,9   | 32,9 |
| 14         | 22,23  | 25,30 +/-0,08 | 29,80    | 35,5   | 38,5       | 15,5   | 30,5   | 35,0   | 20,0   | 34,25  | 38,5  | 25,3   | 34,5   | 34,5 |
| 16         | 25,40  | 28,48 +/-0,08 | 33,00    | 37,0   | 41,7       | 16,1   | 30,9   | 38,0   | 21,5   | 35,80  | 40,7  | 26,1   | 36,1   | 36,1 |
| 18         | 28,58  | 31,65 +/-0,08 | 36,20    | 40,0   | 43,9       | 16,5   | 31,1   | 42,0   | 24,0   | 37,40  | 43,7  | 27,6   | 37,6   | 37,6 |
| 20         | 31,75  | 34,83 +/-0,08 | 39,40    | 43,5   | 47,0       | 17,0   | 32,1   | 45,0   | 25,5   | 38,90  | 46,4  | 29,1   | 39,1   | 39,1 |
| 22         | 34,93  | 37,98 +/-0,08 | 42,50    | 48,5   | 50,0       | 18,5   | 35,3   | 54,5   | 31,0   | 42,00  | 50,0  | 31,0   | 42,0   | 42,0 |
| 24         | 38,10  | 41,15 +/-0,08 | 45,70    | 52,1   | 56,0       | 21,9   | 38,1   | 58,0   | 33,0   | 46,00  | 53,5  | 33,0   | 46,0   | 46,0 |
| 28         | 44,45  | 47,50 +/-0,08 | 52,00    | 58,5   | 61,0       | 26,9   | 44,4   | 65,5   | 36,5   | 51,1   | 60,3  | 36,5   | 51,1   | 51,1 |

|          |            |      |            |   |
|----------|------------|------|------------|---|
| DRAWN    | K.WINCZURA | DATE | 01/12/2014 |   |
| CHECKED  |            | DATE | 01/12/2014 |   |
| APPROVED | K.SHEPPARD | DATE | 04/12/2014 | UNLESS OTHERWISE SPECIFIED ALL DIMENSIONS IN MILLIMETRES<br>GENERAL TOL<br>LINEAR +/-0,25MM<br>ANGULAR +/- 1° |
| APPROVED |            |      |            |   |

**TITLE:**  
**TINEL-LOCK BACKSHELL**

**ASSY USED ON:**  
**MIL-DTL-26482 SERIES II / MIL-DTL-83723 SERIES I & III**



| REVISIONS |                           |          |          |
|-----------|---------------------------|----------|----------|
| LTR       | DESCRIPTION               | DATE     | APPROVED |
| K         | REVISED PER ECO-15-002312 | 13.02.15 | H.SMITH  |
| L         | REVISED PER ECO-17-009011 | 21.06.17 | D.JONES  |

## X-ON Electronics

Largest Supplier of Electrical and Electronic Components

*Click to view similar products for [Circular MIL Spec Strain Reliefs & Adapters](#) category:*

*Click to view products by [TE Connectivity](#) manufacturer:*

Other Similar products are found below :

[896227-000](#) [899170S004](#) [0113-023-000](#) [6000-063-0022](#) [CS6624-000](#) [620AB038Z136](#) [620AS001Z108](#) [620AS038Z112](#) [620AS038Z120](#)  
[620AS038Z132](#) [620FB038NF08](#) [620HA038NF09](#) [620HA038NF11](#) [620HA038NF13](#) [620HA038NF25](#) [620HB049NF17](#) [620HS038NF11](#)  
[620HS038Z121](#) [620HS042XM19](#) [620HS042XM25](#) [620HS048B17](#) [620MS064NF12](#) [620MS065Z107](#) [620MS065ZNU06](#) [627-123NF21-11](#)  
[627-125NF23-6](#) [630J041M06H](#) [630J041M20H](#) [637S010NF0212H](#) [637S010NF0416A](#) [640830-000](#) [659943-000](#) [66241-10A](#) [CW0597-000](#)  
[CW0598-000](#) [CW0948-000](#) [CY0122-000](#) [M85049/41-6A W/B](#) [M85049/42-12DS](#) [M85049/47N8](#) [M85049/51-1-14S](#) [M85049/51S16S](#)  
[M85049/60-1N16](#) [M85049/60-2G12W](#) [M85049/69-11N](#) [CZ3661-000](#) [D02922-000](#) [70.360.1628.0](#) [703797-000](#) [705825-000](#)