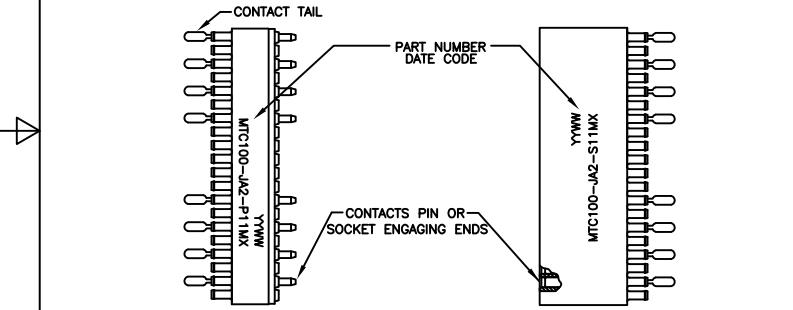
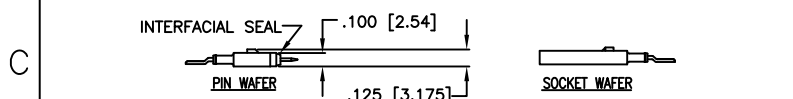
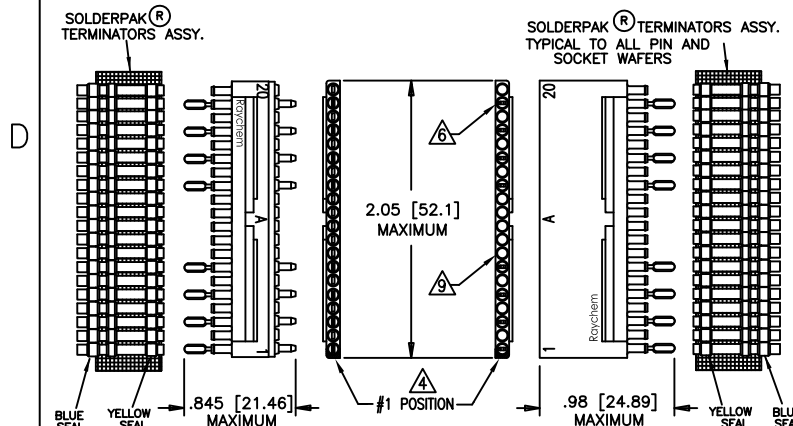


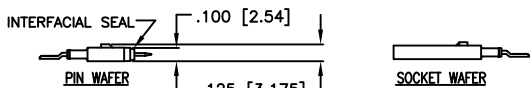
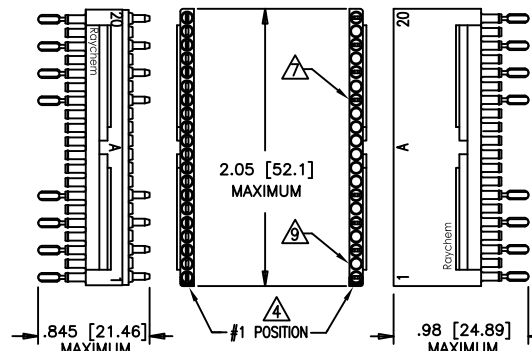
THIS DRAWING AND THE INFORMATION SET FORTH HEREON ARE THE PROPERTY OF TYCO ELECTRONICS CORPORATION, AND ARE TO BE HELD IN TRUST AND CONFIDENCE. PUBLICATION, DUPLICATION, DISCLOSURE, OR USE FOR ANY PURPOSE NOT EXPRESSLY AUTHORIZED IN WRITING BY TYCO ELECTRONICS CORPORATION IS PROHIBITED.

REVISIONS			
LTR	DESCRIPTION	DATE	APPROVED
A	PER ECO-10-015431	JULY/27/2010	M. HIGGY
B	PER ECO-11-003194	Feb/14/2011	M. HIGGY
B1	PER ECO-11-004231, Administrative change	Feb/25/2011	M. HIGGY



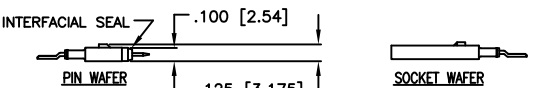
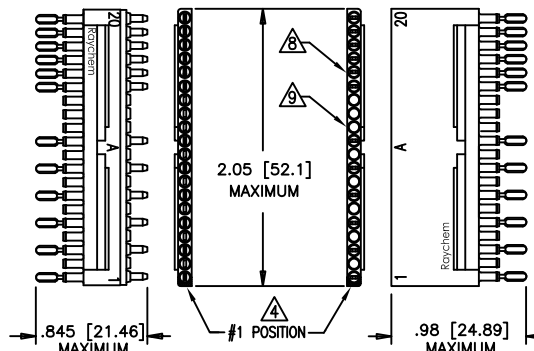
THIS MODEL HAS 8 ACTIVE CONNECTIONS, (VERSION 1)
LINE 2, 4, 6, 8, 9, 10, 11, 12, 14, 16, 18
AND 20 CONNECTIONS DO NOT EXIST.

FIGURE I



THIS MODEL HAS 8 ACTIVE CONNECTIONS,
(VERSION 2)
LINE 2, 4, 6, 8, 9, 10, 11, 12, 13, 15, 17
AND 19 CONNECTIONS DO NOT EXIST.

FIGURE II



THIS MODEL HAS 12 ACTIVE CONNECTIONS.
LINE 2, 4, 6, 8, 10, 12, 13 AND 14
CONNECTIONS DO NOT EXIST.

FIGURE III

NOTES: 1. PART NUMBER VARIABLE: SEE TABLE I.

2. MATERIAL:
- | | |
|--------------------------------|---------------------------------------------|
| A) PIN/SOCKET WAFER | HIGH GRADE POLYARYLENE THERMOPLASTIC. |
| B) PIN CONTACT | COPPER ALLOY PER ASTM B36, ASTM B36M |
| C) SOCKET CONTACT | COPPER ALLOY PER ASTM B103, ASTM B103M (A). |
| D) INTERFACIAL SEAL | FLUOROSILICONE PER MIL-R-25988. |
| E) SOLDERPAK TERMINATORS ASSY. | REFER TO TYCO ELECTRONICS DRAWING CTA-0036. |
3. FINISH:
- | | |
|------------------------------------|-----------------------------------------------------|
| A) PIN/SOCKET WAFER | AS MOLDED. |
| B) PIN/SOCKET CONTACT ENGAGING END | GOLD PLATE PER ASTM B488, CLASS 1, TYPE 2, GRADE C. |
| C) CONTACT TAIL | SOLDER COATED PER IPC J-STD 006 (Sn63), |

4. NUMBER ONE POSITION IS MARKED AS SHOWN IN CONTRASTING COLOR ON INTERFACE.
5. THIS PRODUCT IS QUALIFIED TO SPACE SYSTEM LORAL'S SPECIFICATION 010554 Rev. 21, (PER MIL-DTL-83513 AND TYCO ELECTRONICS SPECIFICATION C-6111 AS APPLICABLE). SEE ISTR-1105 FOR MORE INFORMATION.
6. SEE FIGURE I
7. SEE FIGURE II
8. SEE FIGURE III
9. ALL UNUSED CAVITIES ON SOCKET WAFERS ARE FOR VENTING (OPEN).

FIGURE	TABLE I		
	PART#	DESCRIPTION	WEIGHT MAX. GRAMS
I	MTC100-JA2-P11M1	A WAFER, PIN	T.D.
	MTC100-JA2-S11M1	A WAFER, SOCKET	T.D.
II	MTC100-JA2-P11M2	A WAFER, PIN	T.D.
	MTC100-JA2-S11M2	A WAFER, SOCKET	T.D.
III	MTC100-JA2-P11M3	A WAFER, PIN	T.D.
	MTC100-JA2-S11M3	A WAFER, SOCKET	T.D.

©2010-2011 Tyco Electronics Corporation. All rights reserved. CUSTOMER DRAWING

UNLESS OTHERWISE SPECIFIED DIMENSIONS ARE IN INCHES. METRIC DIMENSIONS ARE IN BRACKETS.	DRAWN	Zsofia O.	July/19/2010		Raychem Interconnect 300 Constitution Drive Menlo Park, CA 94025 U.S.A.
	CHECKED				
DECIMALS .XXX ± .005 .XX ±	APPROVED			TITLE	
	APPROVED	M.HIGGY.	July/19/2010	A WAFER 2 INCH, PIN AND SOCKET FOR ROUND WIRE TERMINATION 20-26 AWG 125 CELSIUS DEGREE OPERATING TEMPERATURE MTC100 SERIES-MODIFIED 3 VARIATION CONTACTS MODELS	
ANGLES .X ±	CAD NAME	MTC100-JA2-X11MX			SIZE
WEIGHT: MAXIMUM SEE TABULATION	THIRD ANGLE PROJECTION				CAGE CODE:
		A			06090
		DWG. NO.			MTC100-JA2-X11MX
		REV			B1
		SCALE: NONE			SHEET 1 OF 1

DWG. NO. MTC100-JA2-X11MX SHEET 1

X-ON Electronics

Largest Supplier of Electrical and Electronic Components

Click to view similar products for [Rectangular MIL Spec Connectors](#) category:

Click to view products by [TE Connectivity](#) manufacturer:

Other Similar products are found below :

[006-1169-16](#) [CSR31343-0001-00000](#) [CSR31899-0001-00000](#) [CSR31900-0001-A0001](#) [CTJ-3D-05](#) [CTS-S16/16](#) [M55302/57A36X](#)
[M55302/58-A70Y](#) [65002-062](#) [65008-D08](#) [CY4602-000](#) [732-8020-01](#) [732-8021-02 B](#) [77058-22-55PN](#) [81542-20](#) [86.030.0053.0](#) [1241346-1](#)
[RM252-020-311-2900](#) [DMC-M 08-16 SNE](#) [1589051-4](#) [BACC65CAMA](#) [BACC65CAMN](#) [BACC65CP1PN](#) [BACI10BC1220PN](#) [EN4165A99-](#)
[011NB](#) [18023-9](#) [HSB-D4S03DM222X](#) [2217548-1](#) [891-009-15SA2-BRT1T](#) [SIM2S100A](#) [1604996-2](#) [SMD25PN90L-4055](#) [220A012-25225-0](#)
[22628-10-6P-791](#) [CSR31343-0001-A0001](#) [CSR31899-0001-A0001](#) [CSR31900-0001-00000](#) [33526M11-08PD](#) [RE04-212S](#) [CTD160E01F-](#)
[6148](#) [CTJ112E03B](#) [CTJ122E02D-8000](#) [CTJ-3D-12](#) [CTJ920E06N-513](#) [CTJ920E12N-513](#) [CTL-16-090](#) [CTR06-5100SY](#) [M55302/63A20H](#)
[M55302/66-30H](#) [M81714/63-22S W/PLUGS INS](#)