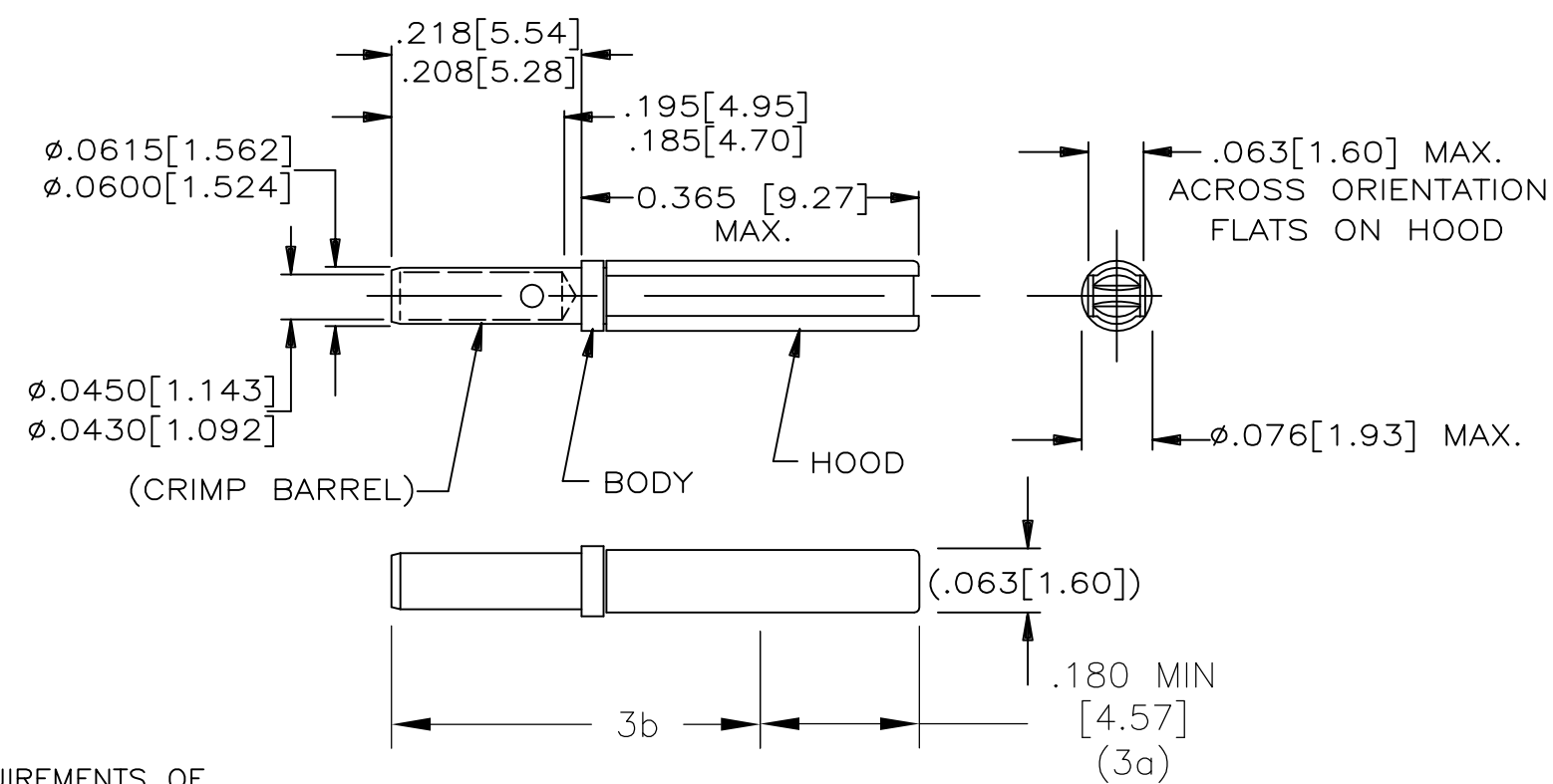


THIS DRAWING IS UNPUBLISHED. RELEASED FOR PUBLICATION
 © COPYRIGHT - By - ALL RIGHTS RESERVED.

LOC	DIST	REVISIONS					
		P	LTR	DESCRIPTION	DATE	DWN	APVD
			H	REV PER ECO 14-015585	12-23-14	CT	KH



1. THIS CONTACT IS DESIGNED TO MEET THE APPLICABLE REQUIREMENTS OF RAYCHEM SPECIFICATION C-6114 AND C-6115.
2. MATERIAL:
 BODY: COPPER ALLOY CDA C19160 (BOILLAT C97), TESTED PER ASTM B 249.
 HOOD: STAINLESS STEEL 305, PER ASTM A 240.
3. FINISH:
 BODY: GOLD PLATE PER ASTM B 488, CLASS 1
 3a: GOLD THICKNESS: 50-100µin
 3b: GOLD THICKNESS: 10µin MIN
 HOOD: PASSIVATED PER SAE AMS 2700.
4. CRIMP TOOL RECOMMENDATION:
 A: TOOL NUMBER M22520/2-01
 B: POSITIONER NUMBER CE-16-06000
5. THIS CONTACT MATES WITH TYCO PIN CONTACT NUMBER CTA-0166
6. CRIMP BARREL DESIGNED TO ACCOMMODATE A WIRE RANGE OF AWG 20-26
7. THESE CONTACTS ARE USED IN TYCO INSERTS MTCP-X22-XXS. SEE DRAWING D-659-0097 FOR INSERT CONFIGURATION.
8. RECOMMENDED WIRE STRIP LENGTH: 0.195-0.215 [4.95-5.46].

THIS DRAWING IS A CONTROLLED DOCUMENT.		DWN C.C.THOMAS 23DEC2014	TE Connectivity														
DIMENSIONS: INCHES [mm]		CHK K.HOGAN 12-23-14															
TOLERANCES UNLESS OTHERWISE SPECIFIED:		APVD K.HOGAN 12-23-14	NAME CONTACT, SOCKET, CRIMP, SIZE 22-20, MTC SERIES														
<table border="0"> <tr><td>0 PLC</td><td>± -</td></tr> <tr><td>1 PLC</td><td>± -</td></tr> <tr><td>2 PLC</td><td>± -</td></tr> <tr><td>3 PLC</td><td>± -</td></tr> <tr><td>4 PLC</td><td>± -</td></tr> <tr><td>ANGLES</td><td>± -</td></tr> </table>		0 PLC	± -	1 PLC	± -	2 PLC	± -	3 PLC	± -	4 PLC	± -	ANGLES	± -	PRODUCT SPEC -	APPLICATION SPEC -		
0 PLC	± -																
1 PLC	± -																
2 PLC	± -																
3 PLC	± -																
4 PLC	± -																
ANGLES	± -																
MATERIAL -		FINISH -	WEIGHT 0.192 GR MAX	SIZE A3	CAGE CODE 06090	DRAWING NO C-CTA-0165	RESTRICTED TO -										
CUSTOMER DRAWING			SCALE NTS	SHEET 1 OF 1	REV H												

X-ON Electronics

Largest Supplier of Electrical and Electronic Components

Click to view similar products for [Heavy Duty Power Connectors](#) category:

Click to view products by [TE Connectivity](#) manufacturer:

Other Similar products are found below :

[647757-1](#) [6643411-1](#) [6646058-2](#) [6646137-1](#) [6646138-1](#) [6646479-1](#) [6646608-1](#) [6646786-1](#) [6646940-1](#) [6651091-1](#) [6651525-1](#) [6651529-1](#)
[6651788-1](#) [696475-1](#) [702-32-01109](#) [703-25-02205](#) [73000005059](#) [73000005642](#) [73080255059](#) [73080965046](#) [765-15-0080A](#) [765-16-0080B](#)
[765-18-0080D](#) [829992-1](#) [902-77-02113](#) [PS00/A0620/6300](#) [PS25/A0420/63](#) [129-1J](#) [1409400](#) [AN0024023](#) [E6374G1](#) [e6389g2](#) [157-43GW8](#)
[MS3117-14AC](#) [1643543-1](#) [1650540-1](#) [1651811-2](#) [1766260-1](#) [1766282-1](#) [1766966-1](#) [1791340000](#) [NLDFT-3-BL-L-S120-M40A](#) [NLDFT-N-](#)
[W-L-C240-M40B](#) [NLS-2-R-C240-M40B](#) [NLS-N-W-C240-M40B](#) [NPS-3-BL-T6](#) [1986615-1](#) [2-1589900-8](#) [2199314-1](#) [KA8102](#)