

4

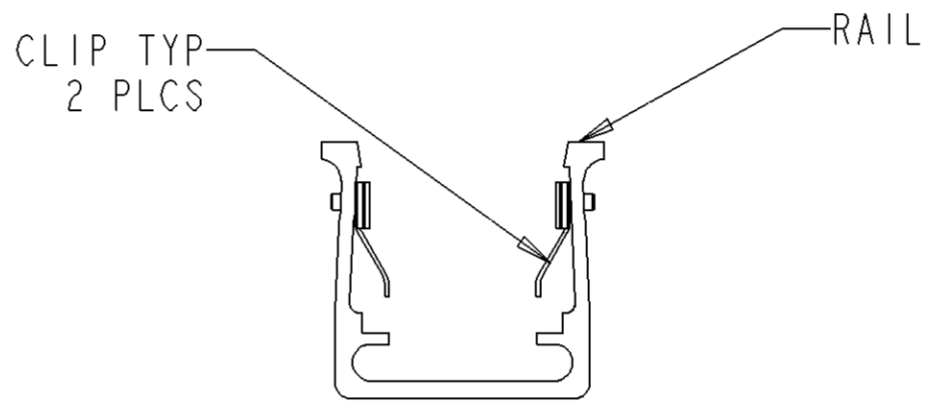
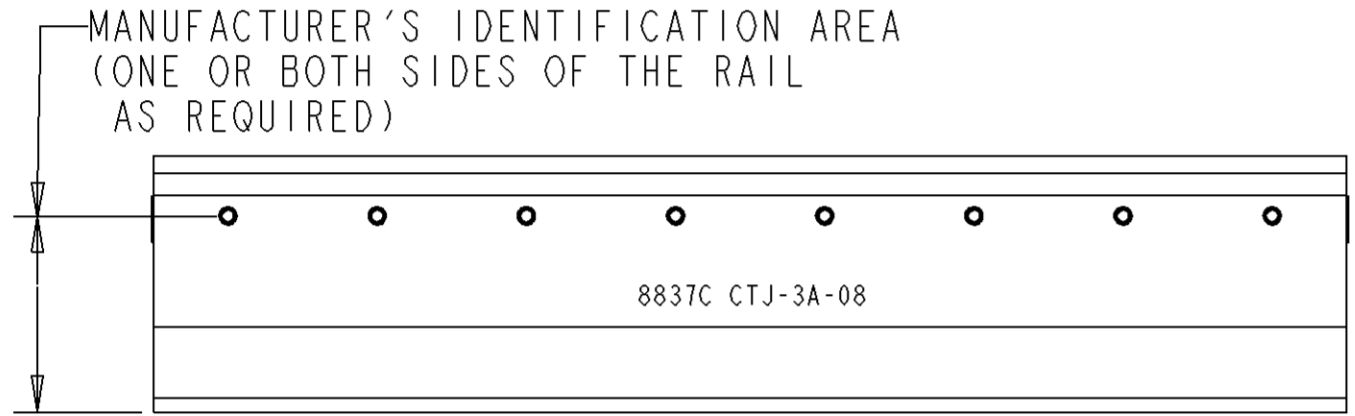
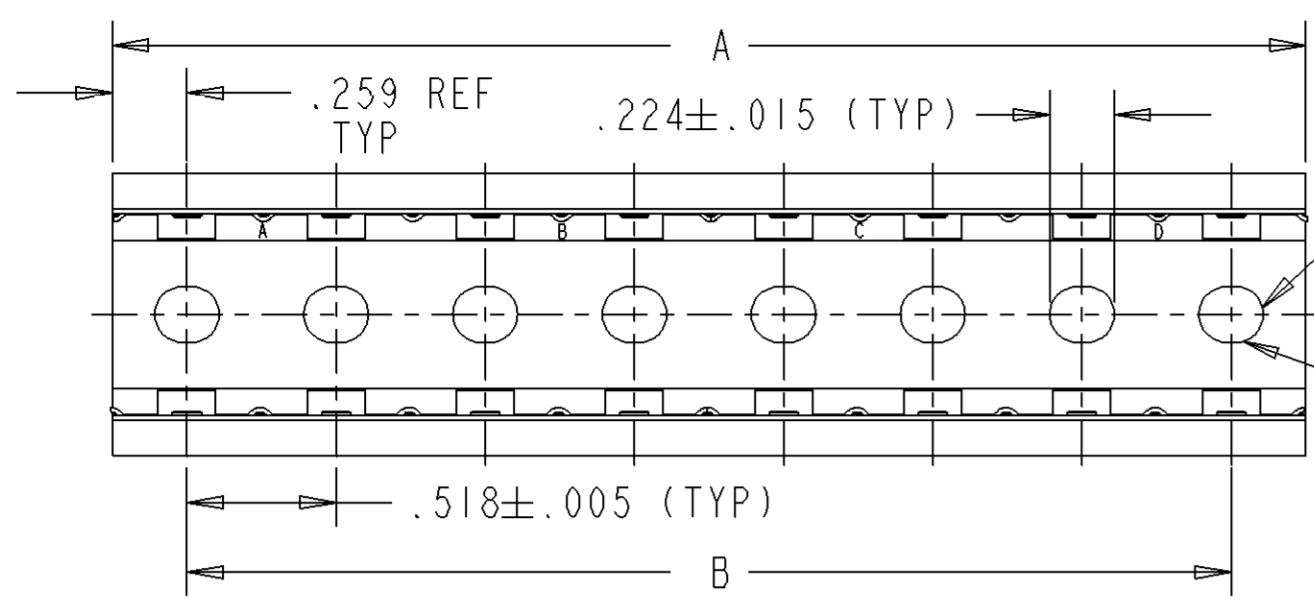
3

2

1

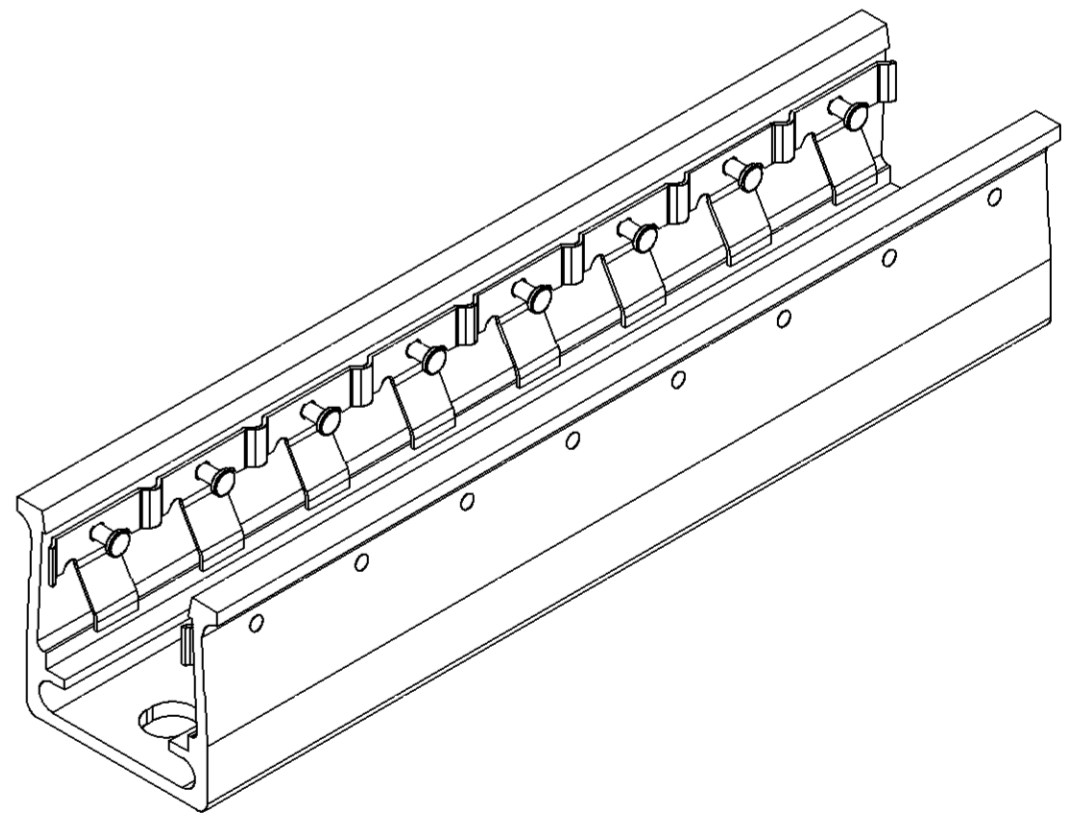
|     |           |
|-----|-----------|
| REV | CTJ-3*-** |
| U   |           |

| REVISION HISTORY |                       |          |          |
|------------------|-----------------------|----------|----------|
| REV              | DESCRIPTION           | DATE     | APPROVED |
| P                | REVISED PER EO 89753  | 10/3/80  |          |
| R                | REVISED PER EO 89844  | 12/15/80 |          |
| S                | REVISED PER EO 86716  | 9/9/82   |          |
| T                | REVISED PER EO A10425 | 4/19/90  |          |
| U                | REVISED PER EO D0226  | 120919   | P.B.     |



|    |                   |                   |
|----|-------------------|-------------------|
| 40 | 20.720            | 20.202            |
| 30 | 15.540            | 15.022            |
| 29 | 15.022            | 14.504            |
| 28 | 14.504            | 13.986            |
| 27 | 13.968            | 13.468            |
| 26 | 13.468            | 12.950            |
| 25 | 12.950            | 12.432            |
| 24 | 12.432            | 11.914            |
| 23 | 11.914            | 11.396            |
| 22 | 11.396            | 10.878            |
| 21 | 10.878            | 10.360            |
| 20 | 10.360            | 9.842             |
| 19 | 9.842             | 9.324             |
| 18 | 9.324             | 8.806             |
| 17 | 8.806             | 8.288             |
| 16 | 8.288             | 7.770             |
| 15 | 7.770             | 7.252             |
| 14 | 7.252             | 6.734             |
| 13 | 6.734             | 6.216             |
| 12 | 6.216             | 5.698             |
| 11 | 5.698             | 5.180             |
| 10 | 5.180             | 4.662             |
| 09 | 4.662             | 4.144             |
| 08 | 4.144             | 3.626             |
| 07 | 3.626             | 3.108             |
| 06 | 3.108             | 2.590             |
| 05 | 2.590             | 2.072             |
| 04 | 2.072             | 1.554             |
| 03 | 1.554             | 1.036             |
| 02 | 1.036             | .518              |
| XX | "A" DIM<br>± .015 | "B" DIM<br>± .010 |

| TOOL    | MODULE SIZE |
|---------|-------------|
| CTJ-R06 | 22, 20 & 16 |
| CTJ-R12 | 12          |



- 6. RAIL MATERIAL: ALUM ALLOY PER QQ-A-200/8, CLIP: STAINLESS STEEL PER MIL-S-25043
- 5. CONSULT THE FACTORY FOR AVAILABILITY OF RAIL FINISHES OTHER THAN NICKEL.

4. RAIL ASSEMBLY - PART NO. BREAKDOWN

CTJ - 3 \* - \* \*

RAIL LENGTH

FINISH

A = ANODIZE - BLACK PER MIL-A-8652

B = OLIVE DRAB PER QQ-P-416, TYPE 11, CLASS 2

C = CLEAR PER QQ-P-416, TYPE 11, CLASS 2, EXCEPT COLOR.

D = NICKEL----- (STANDARD) PER MIL-C-26074, CLASS 4

FEEDBACK FRAME

BASIC IDENTIFIER RAIL ASSY. USED ON CTJ MODULES

- 3. SEE DEUTSCH ENVELOPE DRAWINGS FOR THE FOLLOWING COMPONENTS:  
MODULE: CTJ1\*\*E\*\*\*  
MODULE REMOVAL TOOL: SEE TABLE

2. EXAMPLE OF MANUFACTURER'S IDENTIFICATION:

88 37 DEUTSCH CTJ-3A-08

YEAR WEEK

1. DIMENSIONS ARE IN INCHES.

NOTES: UNLESS OTHERWISE SPECIFIED.

TOLERANCE UNLESS OTHERWISE SPECIFIED  
DIMENSIONS ARE IN INCHES  
DECIMALS .xxx±.005; .xxxx ±.0005  
ANGLES: X° ±.5°; X.X° ±.25°  
T.I.R. .010  
PARTS TO BE FREE OF BURRS & SHARP EDGES

THIRD ANGLE PROJECTION

| SIGNATURE & DATE |                   |
|------------------|-------------------|
| DR               | J. PASCUAL 120912 |
| CHK              | P. BYUN 120918    |
| PE               | P. BYUN 120912    |
| APPD             | A. RENGIFO 120918 |
| MATERIAL         |                   |
| FINISH           |                   |
| MATERIAL CODE    |                   |

ALL SHEETS ARE THE SAME REVISION STATUS

**DEUTSCH**  
DEFENSE/AEROSPACE OPERATION  
250 EDDIE JONES WAY  
OCEANSIDE, CA 92058

TITLE: RAIL ASSEMBLY CTJ ENVELOPE

|                |                 |                  |
|----------------|-----------------|------------------|
| SIZE C         | CAGE CODE 11139 | DWG NO CTJ-3*-** |
| SCALE 1:10,000 | WEIGHT          | SHEET 1 OF 1     |

4

3

2

1

## X-ON Electronics

Largest Supplier of Electrical and Electronic Components

*Click to view similar products for [Terminal Junction Modules](#) category:*

*Click to view products by [TE Connectivity](#) manufacturer:*

Other Similar products are found below :

[00175530502](#) [591900-1](#) [M81714/60-12-01](#) [M81714/60-20-06](#) [M81714/60-22-01](#) [M81714/65-12-1](#) [YCTD160E01FC108000](#)  
[YCTJ122E01CC015000](#) [YHLZG16-2](#) [YHLZR-45](#) [YHLZ16-4](#) [YHLZ16-2](#) [YCTJ420E021C098000](#) [YHLZ-8](#) [00111520902](#) [YHLZG16-1](#)  
[00111520202](#) [TBH120450](#) [00176590602](#) [TJSE20506](#) [MX2000](#) [00172021000](#) [00111820202](#) [ZPF00000000020152](#) [YTJ11E-06-04V00300](#)  
[FMJ11E20-06G](#) [M81714/60-16-02](#) [TJSE20110](#) [00175510702](#) [00176520402](#) [00175520802](#) [TJSE20100](#) [TJSE22112](#) [TJT701020](#)  
[00176520502](#) [00175530302](#) [00175112000](#) [00176520202](#) [TJSE22843](#) [00175510802](#) [00111521103](#) [CTD1062E05A-513](#) [M81714/61-0W](#)  
[TJSE20703](#) [BDX016016-2](#) [BDX016017-2](#) [CTD126E01A-513-LC](#) [TJSE20526](#) [00176590102](#) [CTJ920R06N-513](#)