

4

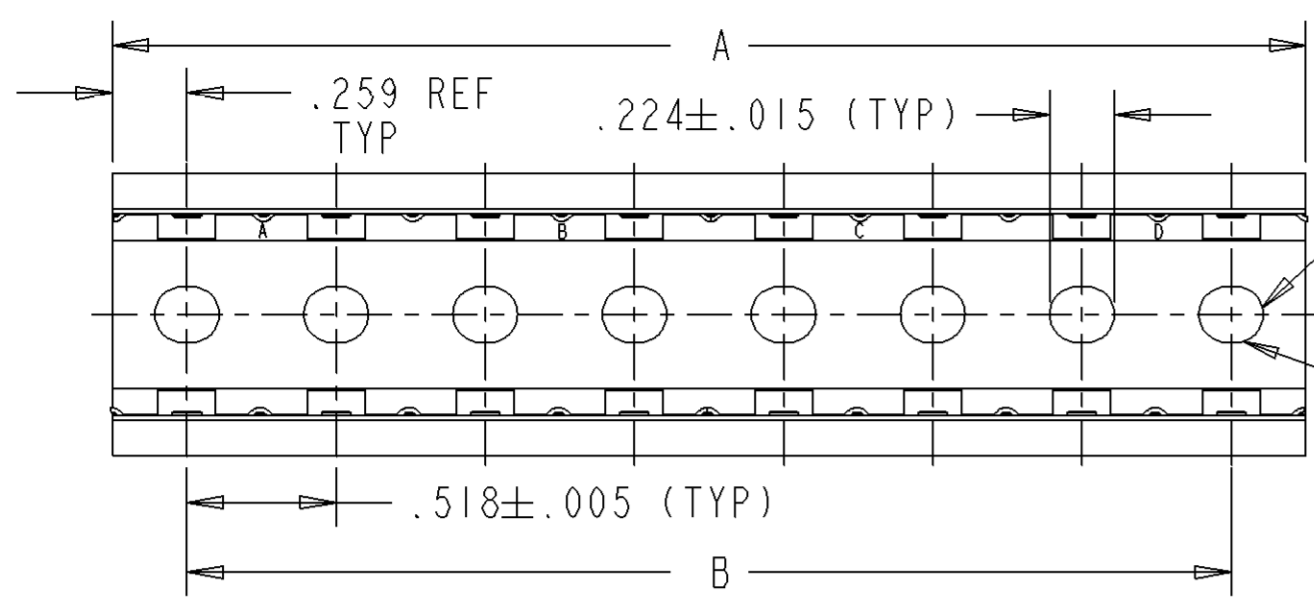
3

2

1

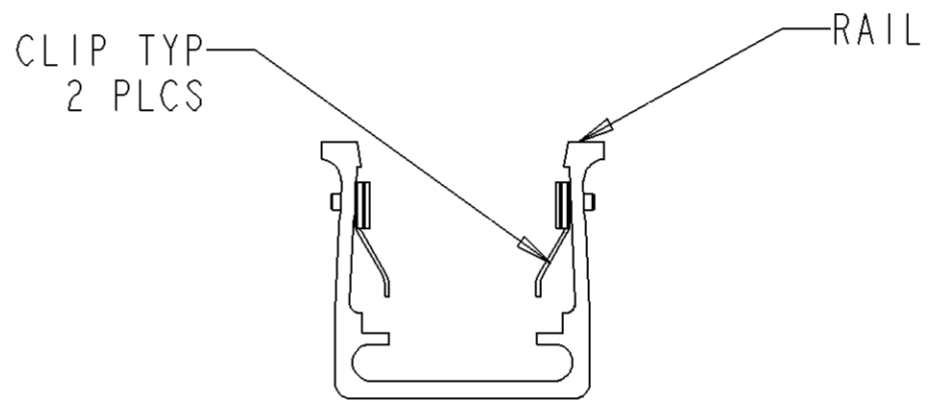
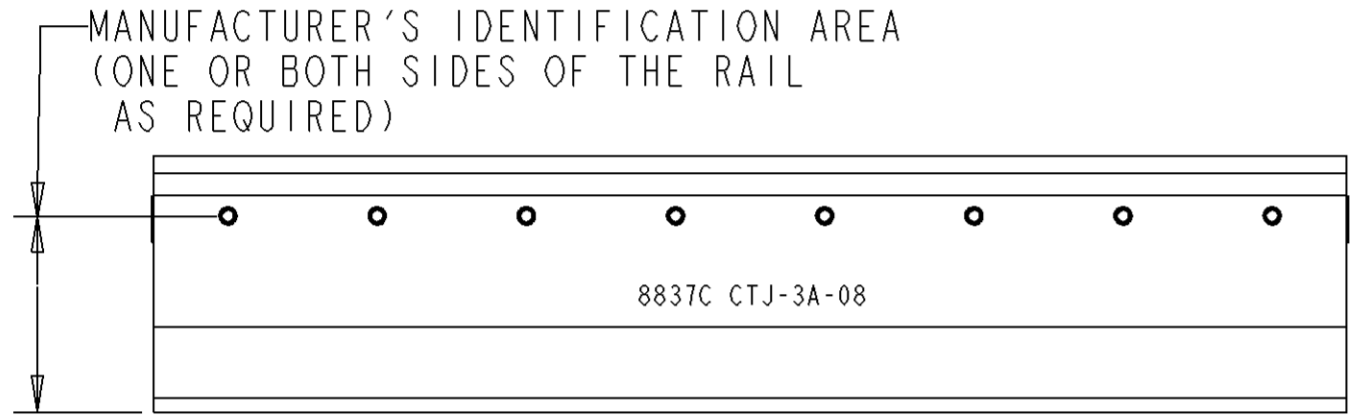
| | |
|-----|-----------|
| REV | CTJ-3*-** |
| U | |

| REVISION HISTORY | | | |
|------------------|-----------------------|----------|----------|
| REV | DESCRIPTION | DATE | APPROVED |
| P | REVISED PER EO 89753 | 10/3/80 | |
| R | REVISED PER EO 89844 | 12/15/80 | |
| S | REVISED PER EO 86716 | 9/9/82 | |
| T | REVISED PER EO A10425 | 4/19/90 | |
| U | REVISED PER EO D0226 | 120919 | P.B. |



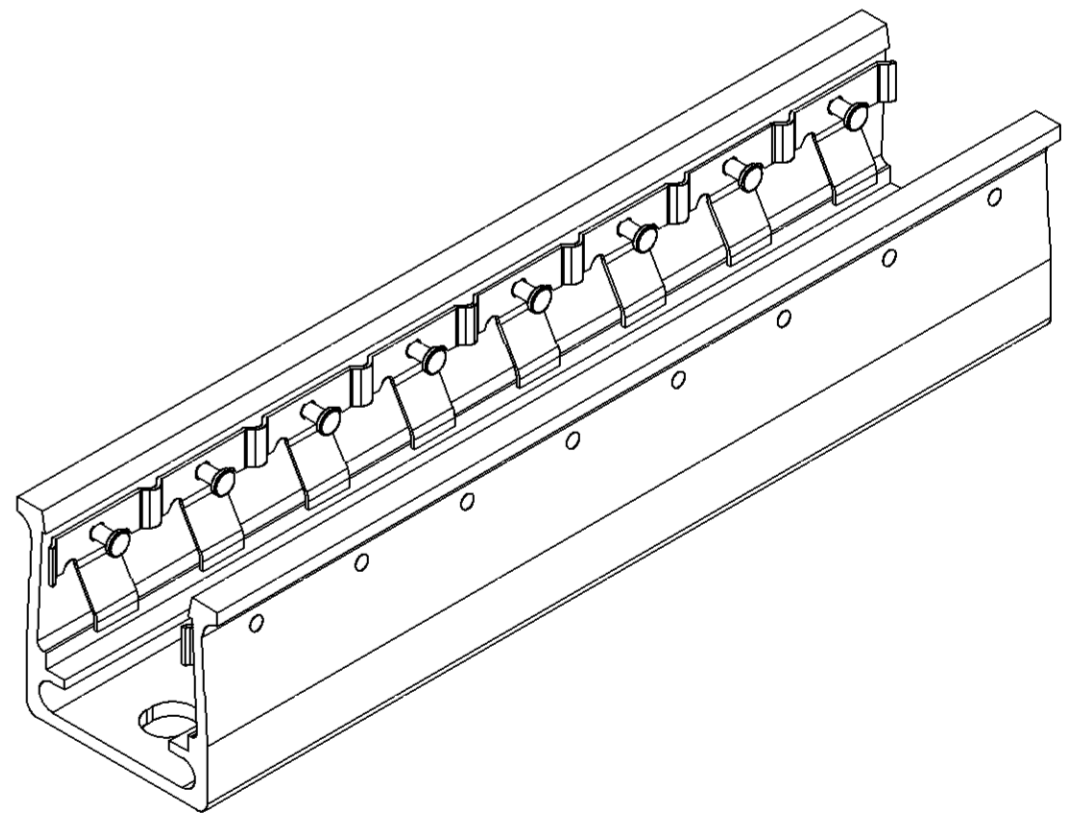
MOUNTING HOLES ACCOMMODATE 10-32 SCREW

±.005
.194 DIA ELONGATED MOUNTING HOLES TYP



| | | |
|----|-------------------|-------------------|
| 40 | 20.720 | 20.202 |
| 30 | 15.540 | 15.022 |
| 29 | 15.022 | 14.504 |
| 28 | 14.504 | 13.986 |
| 27 | 13.968 | 13.468 |
| 26 | 13.468 | 12.950 |
| 25 | 12.950 | 12.432 |
| 24 | 12.432 | 11.914 |
| 23 | 11.914 | 11.396 |
| 22 | 11.396 | 10.878 |
| 21 | 10.878 | 10.360 |
| 20 | 10.360 | 9.842 |
| 19 | 9.842 | 9.324 |
| 18 | 9.324 | 8.806 |
| 17 | 8.806 | 8.288 |
| 16 | 8.288 | 7.770 |
| 15 | 7.770 | 7.252 |
| 14 | 7.252 | 6.734 |
| 13 | 6.734 | 6.216 |
| 12 | 6.216 | 5.698 |
| 11 | 5.698 | 5.180 |
| 10 | 5.180 | 4.662 |
| 09 | 4.662 | 4.144 |
| 08 | 4.144 | 3.626 |
| 07 | 3.626 | 3.108 |
| 06 | 3.108 | 2.590 |
| 05 | 2.590 | 2.072 |
| 04 | 2.072 | 1.554 |
| 03 | 1.554 | 1.036 |
| 02 | 1.036 | .518 |
| XX | "A" DIM ± .015 | "B" DIM ± .010 |

| TOOL | MODULE SIZE |
|---------|-------------|
| CTJ-R06 | 22, 20 & 16 |
| CTJ-R12 | 12 |



- 6. RAIL MATERIAL: ALUM ALLOY PER QQ-A-200/8, CLIP: STAINLESS STEEL PER MIL-S-25043
- 5. CONSULT THE FACTORY FOR AVAILABILITY OF RAIL FINISHES OTHER THAN NICKEL.

4. RAIL ASSEMBLY - PART NO. BREAKDOWN

CTJ - 3 * - * *

RAIL LENGTH

FINISH

A = ANODIZE - BLACK PER MIL-A-8652

B = OLIVE DRAB PER QQ-P-416, TYPE 11, CLASS 2

C = CLEAR PER QQ-P-416, TYPE 11, CLASS 2, EXCEPT COLOR.

D = NICKEL----- (STANDARD) PER MIL-C-26074, CLASS 4

FEEDBACK FRAME

BASIC IDENTIFIER RAIL ASSY. USED ON CTJ MODULES

- 3. SEE DEUTSCH ENVELOPE DRAWINGS FOR THE FOLLOWING COMPONENTS:
MODULE: CTJ1**E***
MODULE REMOVAL TOOL: SEE TABLE

2. EXAMPLE OF MANUFACTURER'S IDENTIFICATION:

88 37 DEUTSCH CTJ-3A-08

YEAR WEEK

- 1. DIMENSIONS ARE IN INCHES.

NOTES: UNLESS OTHERWISE SPECIFIED.

TOLERANCE UNLESS OTHERWISE SPECIFIED
DIMENSIONS ARE IN INCHES
DECIMALS .xxx±.005; .xxxx ±.0005
ANGLES: X° ±.5°; X.X° ±.25°
T.I.R. .010
PARTS TO BE FREE OF BURRS & SHARP EDGES

THIRD ANGLE PROJECTION

| SIGNATURE & DATE | |
|------------------|-------------------|
| DR | J. PASCUAL 120912 |
| CHK | P. BYUN 120918 |
| PE | P. BYUN 120912 |
| APPD | A. RENGIFO 120918 |
| MATERIAL | |
| FINISH | |
| MATERIAL CODE | |

ALL SHEETS ARE THE SAME REVISION STATUS

DEUTSCH
DEFENSE/AEROSPACE OPERATION
250 EDDIE JONES WAY
OCEANSIDE, CA 92058

TITLE: RAIL ASSEMBLY CTJ ENVELOPE

| | | | |
|-------|-----------|--------|--------------|
| SIZE | CAGE CODE | DWG NO | CTJ-3*-** |
| C | 11139 | | |
| SCALE | 1:10,000 | WEIGHT | SHEET 1 OF 1 |

4

3

2

1

X-ON Electronics

Largest Supplier of Electrical and Electronic Components

Click to view similar products for [Junction System Tools & Accessories](#) category:

Click to view products by [TE Connectivity](#) manufacturer:

Other Similar products are found below :

[00172023200](#) [PCL03ANZ04](#) [YCTJ-2A-01V0030000](#) [00326120059](#) [00611405118](#) [00326116859](#) [3177-0110-000-RAI](#) [YMC10063](#)
[00111920102](#) [M81714/67-12](#) [00111920202](#) [00111920302](#) [RBMT4](#) [00111920402](#) [00111922302](#) [00118400034](#) [00610100200](#) [00611420004](#)
[M6106/31-001](#) [TJT703017](#) [CTJ-3A-10-4021](#) [M6106/32-001](#) [M81714/67-10](#) [RBD20-1](#) [591637-1](#) [591637-5](#) [591638-1](#) [592104-1](#) [592104-2](#)
[CTG-22-08-513](#) [CTJ-3A-04](#) [CTJ-3A-03-4021](#) [CTJ-3A-09](#) [CTJ-3D-02](#) [CTJ-3A-02](#) [CTJ-3A-03](#) [CTJ-3A-05](#) [CTJ3D07](#) [CTJ-3D-12](#) [CTJ-3A-04-4021](#) [CTJ-2D-01](#) [CTJ-3A-10](#) [CTJ-3A-07-4021](#) [M81714/69-01](#)