



Connectors > Terminal Junction Modules & Accessories > Terminal Junction Modules

Terminal Junction System Component Type: **In-line Receptacle Connector Assembly**

Contact Size: **20**

Operating Temperature Range: **-65 – 200 °C**

## Features

### Product Type Features

Terminal Junction System Component Type	In-line Receptacle Connector Assembly
---	---------------------------------------

### Body Features

Grommet Material	Elastomer
------------------	-----------

### Contact Features

Contact Size	20
--------------	----

### Usage Conditions

Operating Temperature Range	-65 – 200 °C
-----------------------------	--------------

## Product Compliance

[For compliance documentation, visit the product page on TE.com>](#)

EU RoHS Directive 2011/65/EU	Compliant with Exemptions
EU ELV Directive 2000/53/EC	Compliant with Exemptions
China RoHS 2 Directive MIIT Order No 32, 2016	Restricted Materials Above Threshold
EU REACH Regulation (EC) No. 1907/2006	Current ECHA Candidate List: JAN 2019 (197) Candidate List Declared Against: JAN 2019 (197)
Halogen Content	Not Yet Reviewed for halogen content
Solder Process Capability	Not reviewed for solder process capability

#### Product Compliance Disclaimer

This information is provided based on reasonable inquiry of our suppliers and represents our current actual knowledge based on the information they provided. This information is subject to change. The part numbers that TE has identified as EU RoHS compliant have a maximum concentration of 0.1% by weight in homogenous materials for lead, hexavalent chromium, mercury, PBB, PBDE, DBP, BBP, DEHP, DIBP, and 0.01% for cadmium, or qualify for an exemption to these limits as defined in the Annexes of Directive 2011/65/EU (RoHS2). Finished electrical and electronic equipment products will be CE marked as required by Directive 2011/65/EU. Components may not be CE marked. Additionally, the part numbers that TE has identified as EU ELV compliant have a maximum concentration of 0.1% by weight in homogenous materials for lead, hexavalent chromium, and mercury, and 0.01% for cadmium, or qualify for an exemption to these limits

as defined in the Annexes of Directive 2000/53/EC (ELV). Regarding the REACH Regulations, TE's information on SVHC in articles for this part number is still based on the European Chemical Agency (ECHA) 'Guidance on requirements for substances in articles' (Version: 2, April 2011), applying the 0.1% weight on weight concentration threshold at the finished product level. TE is aware of the European Court of Justice ruling of September 10th, 2015 also known as O5A (Once An Article Always An Article) stating that, in case of 'complex object', the threshold for a SVHC must be applied to both the product as a whole and simultaneously to each of the articles forming part of its composition. TE has evaluated this ruling based on the new ECHA "Guidance on requirements for substances in articles" (June 2017, version 4.0) and will be updating its statements accordingly.

Also in the Series | **DEUTSCH CTJ**



Terminal Junction Modules  
(128)

Customers Also Bought



TE Part #2204422-3  
MULTI-BEAM HD VER.REC.  
15S+6P+2LP+15S



TE Part #2204452-1  
MULTI-BEAM HD R/A  
PLUG 15S+6P+2LP+15S



TE Part #5767130-4  
MICT,RCPT,152,ASY,  
GOLD,EXTD



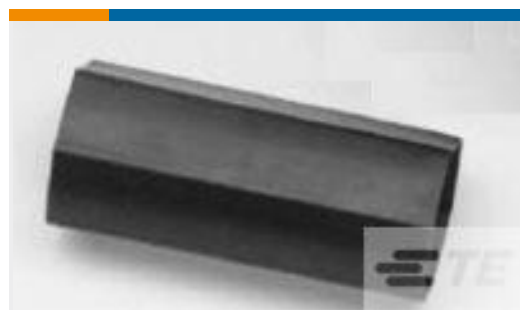
TE Part #2199119-9  
M.2 0.5PITCH 3.2H KEY A  
30U" AU



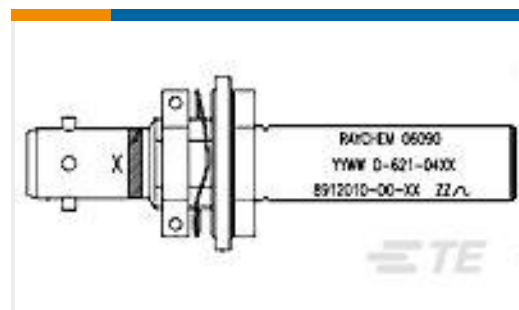
TE Part #  
YACT26MC04AAV00100  
STRAIGHT PLUG



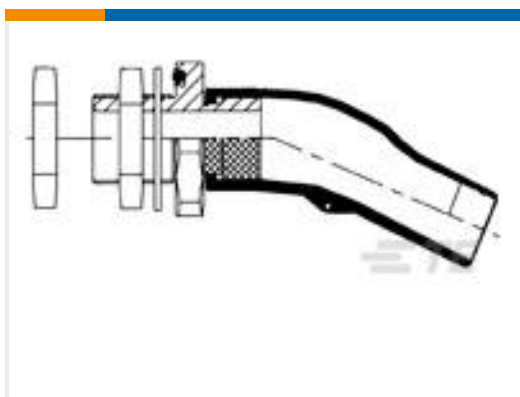
TE Part #  
YACT26MD05SDV00100  
STRAIGHT PLUG



TE Part #CB5146-000  
HRSR-125FR-8/NM



TE Part #075457-000  
D-621-0481



TE Part #582649-000  
TCFS-48-19B-320-25BW



TE Part #  
YCFX26W1108HZN1077  
PLUG ASSY

Documents



**Datasheets & Catalog Pages**

Products for Aerospace and Defense

English

---

**Product Environmental Compliance**

REACH Substance Communication Document

English

## X-ON Electronics

Largest Supplier of Electrical and Electronic Components

*Click to view similar products for [Terminal Junction Modules](#) category:*

*Click to view products by [TE Connectivity](#) manufacturer:*

Other Similar products are found below :

[00175530502](#) [591900-1](#) [M81714/60-12-01](#) [M81714/60-20-06](#) [M81714/60-22-01](#) [M81714/65-12-1](#) [YCTD160E01FC108000](#)  
[YCTJ122E01CC015000](#) [YHLZG16-2](#) [YHLZR-45](#) [YHLZ16-4](#) [YHLZ16-2](#) [YCTJ420E021C098000](#) [YHLZ-8](#) [00111520902](#) [YHLZG16-1](#)  
[00111520202](#) [TBH120450](#) [00176590602](#) [TJSE20506](#) [MX2000](#) [00172021000](#) [00111820202](#) [ZPF00000000020152](#) [YTJ11E-06-04V00300](#)  
[FMJ11E20-06G](#) [M81714/60-16-02](#) [TJSE20110](#) [00175510702](#) [00176520402](#) [00175520802](#) [TJSE20100](#) [TJSE22112](#) [TJT701020](#)  
[00176520502](#) [00175530302](#) [00175112000](#) [00176520202](#) [TJSE22843](#) [00175510802](#) [00111521103](#) [CTD1062E05A-513](#) [M81714/61-0W](#)  
[TJSE20703](#) [BDX016016-2](#) [BDX016017-2](#) [CTD126E01A-513-LC](#) [TJSE20526](#) [00176590102](#) [CTJ920R06N-513](#)