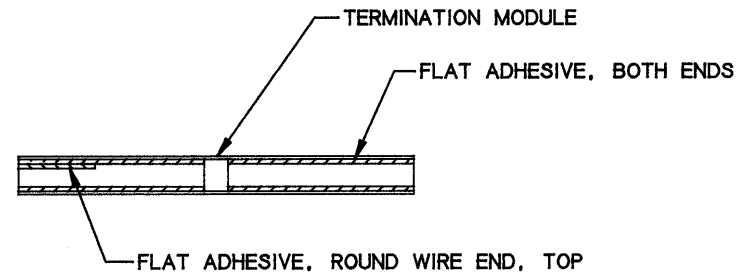
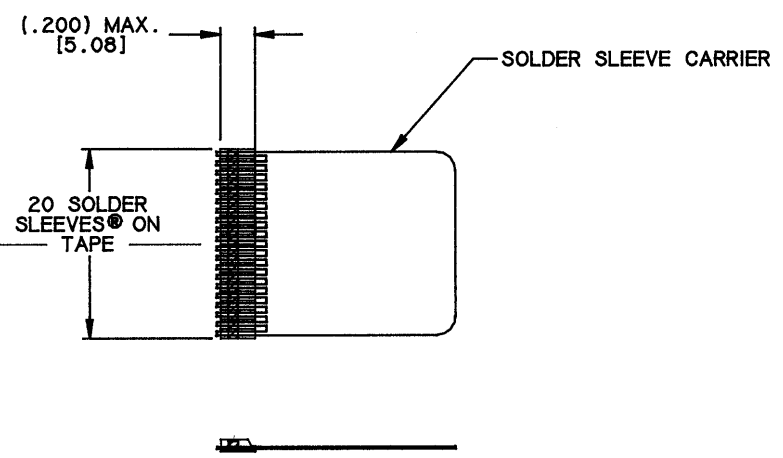
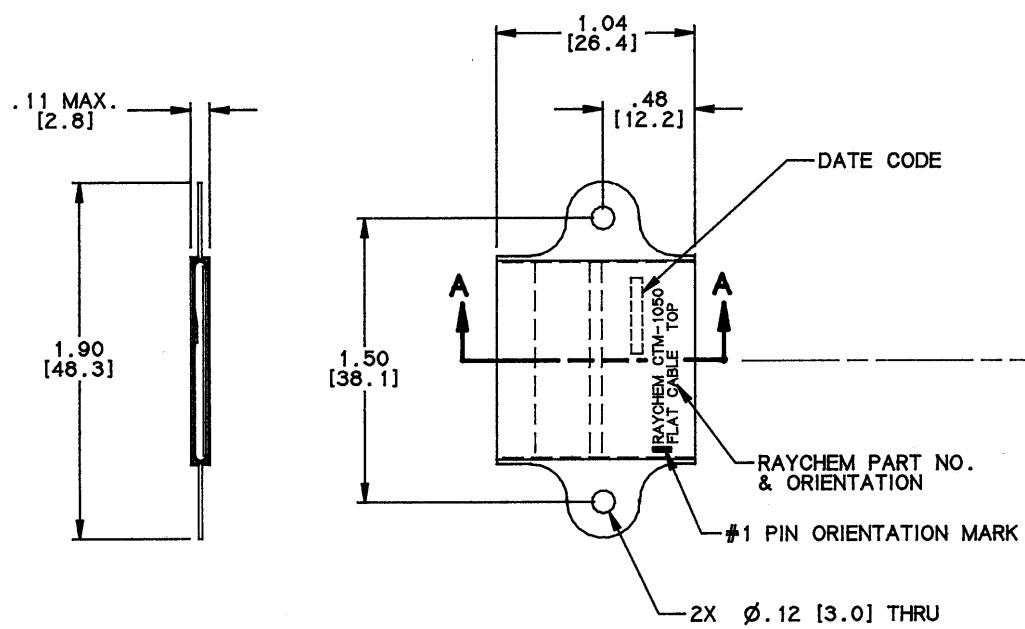


REVISIONS			
LTR	DESCRIPTION	DATE	APPROVED
N/C	INITIAL RELEASE PER ECN T-15778	91FEB19	AN
A	REVISED PER ECN T-16116	4-24-91	AN



SECTION A-A
SCALE: 4X

NOTES: UNLESS OTHERWISE SPECIFIED

- MATERIAL:
 - A) TERMINATION MODULE: TRANSPARENT BLUE HEAT SHRINKABLE, RADIATION CROSS-LINKED PVF₂
 - B) FLAT ADHESIVE: MODIFIED THERMOPLASTIC HOT MELT SEALANT.
 - C) SOLDER SLEEVES®: TRANSPARENT BLUE HEAT SHRINKABLE, RADIATION CROSS-LINKED PVF₂ (SEE RAYCHEM DRAWING NO. D-141-0226)
SOLDER Sn96Ag04 WITH RMA FLUX PER QQ-S-571.
- USABLE WIRE SIZE: ROUND WIRE: 24 AWG, FLAT CONDUCTOR CABLE: 28 GA.
- DIELECTRIC WITHSTANDING VOLTAGE:

TEXT CONDITION	TEXT VOLTAGE VAC RMS AT 60 HZ
SEA LEVEL	750
ALTITUDE 70,000 FT (33.5) TORR) AMBIENT TEMP	500
ALTITUDE 80,000 FT (20.6 TORR) -50°C TEMP	375

4. CURRENT RATING: 1.5 AMPS PER CONDUCTOR.

SPECIFICATION CONTROL DRAWING © Raychem Corporation 1988

UNLESS OTHERWISE SPECIFIED DIMENSIONS ARE IN INCHES. METRIC DIMENSIONS ARE IN BRACKETS.		DRAWN	MGHOBSON	91JAN18	 RAYCHEM CORPORATION 300 CONSTITUTION DRIVE MENLO PARK, CALIFORNIA 94025
DECIMALS .XXX ± .005 [.13 mm] .XX ± .03 [.8 mm]		CHECKED	AN	91FEB19	
ANGLES .X ±		APPROVED	EAC	91FEB19	
WEIGHT lbs [g]		APPROVED			
		CAD NAME		007950-1	Raychem TITLE CABLE TRANSITION MODULE (CTM). FLAT-TO-ROUND TERMINATION, 20 CONDUCTOR, 1 IN. W/EARS, .050 PITCH, ENVIRONMENT RESISTANT. 125° MAX OPERATING TEMPERATURE
		THRD ANGLE PROJECTION			SIZE C CODE IDENT. NO. 06090 DWG. NO. CTM-1050 REV A
		DO NOT SCALE THIS DRAWING			SHEET 1 OF 1

DRAW NO. CTM-1050 SHEET

X-ON Electronics

Largest Supplier of Electrical and Electronic Components

Click to view similar products for [Rectangular Mil Spec Connectors](#) category:

Click to view products by [TE Connectivity](#) manufacturer:

Other Similar products are found below :

[891-011-15SA2-BSST](#) [CTS-S16/16](#) [65002-062](#) [CY4602-000](#) [732-8020-01](#) [77058-22-55PN](#) [81542-20](#) [86.030.0053.0](#) [1241346-1](#) [RM252-020-311-2900](#) [DMC-M 08-16 SA](#) [1589051-4](#) [MSO34MPK1E1](#) [BACC65CAMA](#) [BACC65CP1PN](#) [BACI10BC0816PNBA](#) [HSB-D4S03DM222X](#) [2217548-1](#) [891-006-9PS-BST1T](#) [891-009-15SA2-BRT1T](#) [27963-20T12](#) [SIM2N40NC3](#) [SIM2S100A](#) [1604996-2](#) [SMD25PN90L-4055](#) [1900ND08S1B00A](#) [22628-10-6P-791](#) [33526M11-08PD](#) [RE04-212S](#) [M32139/03-G05SN](#) [CTD160E01F-6148](#) [CTJ112E03B](#) [CTJ122E02D-8000](#) [CTJ-3D-12](#) [CTJ920E06N-513](#) [CTJ920E12N-513](#) [CTL-16-090](#) [RM300-000-581-0000](#) [CY4600-000](#) [CY4601-000](#) [38111-14-15SN](#) [38112-14-15PN](#) [MMA23-0111R1](#) [MMD25-0071P1](#) [33516062020](#) [33526M11-08PE](#) [DMC-M99-01AN](#) [Y59113WE20PNV00300](#) [ZPF000000000106310](#) [105979-31](#)