

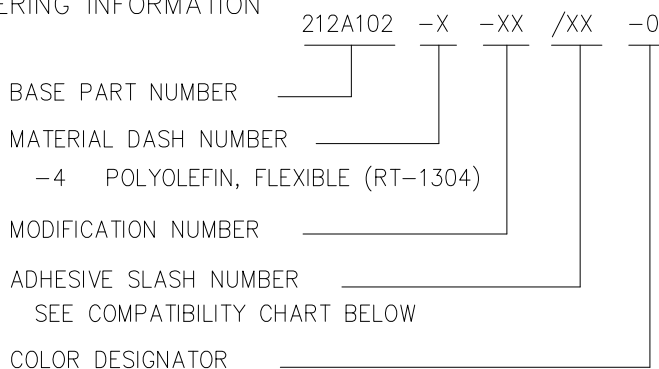
**AS SUPPLIED**

**AFTER UNRESTRICTED RECOVERY**

TABLE OF DIMENSIONS								
PART DESCRIPTION	H		P	R	S	T	U	W
	MIN a	MAX b	+ .05 - .07 b	± .05 b	± .10 b	± .01 b	± .010 b	± .005 b
212A102	3.00 [76,2]	1.00 [25,4]	2.93 [74,4]	1.35 [34,3]	1.10 [27,9]	.60 [15,2]	.225 [5,7]	.030 [0,76]

**NOTES:**

- ALL DIMENSIONS ARE IN INCHES  
[MILLIMETERS]
- DIMENSIONS APPEARING IN TABLE ARE AS FOLLOWS:  
a – AS SUPPLIED; b – AFTER UNRESTRICTED RECOVERY
- ORDERING INFORMATION



**CUSTOMER DRAWING**

			<b>Raychem Molded Parts</b> 300 Constitution Drive Menlo Park, CA. 94025, U.S.A.		TITLE:  <b>BOOT, DUST COVER</b>		
Unless otherwise specified dimensions are in inches. Metric dimensions are shown in brackets			DOCUMENT NO.:  <b>212A102</b>				
Tyco Electronics reserves the right to amend this drawing at any time. Users should evaluate the suitability of the product for their application.			REV.:  <b>D</b>		DATE:  <b>February 23, 2011</b>		
REVISED BY: <b>YUNGUYEN</b>	CAGE CODE: <b>06090</b>	ECO #: <b>ECO-11-003640</b>	File: 212A102.doc	SCALE: None	SIZE: A	SHEET: 1 of 1	

## X-ON Electronics

Largest Supplier of Electrical and Electronic Components

*Click to view similar products for [Cable Boots](#) category:*

*Click to view products by [TE Connectivity](#) manufacturer:*

Other Similar products are found below :

[618235-000](#) [622A014-3-0](#) [CX4132-000](#) [879515-000](#) [982033-2](#) [R280576000](#) [1300830729](#) [EN3BOOTLKIT](#) [MTPSRBCL-C](#) [1811481-1](#)  
[200W531-3-0](#) [202A121-386-0](#) [202A142-4-00/42-0](#) [202A163-4-0-CS5067](#) [202B221-13-0](#) [202B231-13-0](#) [202B563-25-07-0](#)  
[202C621710CS5361](#) [202D132-4-07/42-0](#) [202D221-4-0-CS5349](#) [202D221-4-26-0](#) [202D263-25-08-0](#) [202D263-4-22/42-0](#) [202D263-4-88-0](#)  
[202D921-2542-0](#) [202E336-71-0](#) [202F211-50-22-0-CS8474](#) [202F242-50-05-0](#) [202F242-51-04/164-0](#) [202K121-25-CS-1858-0](#) [202K121-25-](#)  
[CS-2062-0](#) [202K132-25-01/225-0CS8387](#) [202K153-3-0186-0](#) [202S132-25-UP-0](#) [203W301-3/42-0](#) [207W613-100/184-0-CS5657](#) [207W623-](#)  
[100-01/184-0](#) [207W634-100/184-0-CS5657](#) [207W656-100-01/184-0](#) [207W667-100-01/184-0](#) [207W667-100/184-0](#) [208A011-3-0](#) [208A021-3-](#)  
[0](#) [221A011-51164-0-CS7133](#) [222A121-2586](#) [222A152-342-0](#) [222A213-25-0-CS5613](#) [222D221-25-13/86-0](#) [222D232-4-61-0-CS5078](#)  
[222D253-100-22-0](#)