



BAND (SUPPLIED FLAT) (3)(8)  
(SEE PART NUMBER BREAKDOWN FOR OPTIONS)

## CODE 40 - BANDING BACKSHELL

**BNX40AB00-1608 -S**

SERIES \_\_\_\_\_  
 BNX - BAND STRAP NOT INCLUDED  
 BND - BAND STRAP INCLUDED  
 (SEE BAND TERMINATION CONFIGURATION)  
 CONNECTOR INTERFACE \_\_\_\_\_  
 MATERIAL \_\_\_\_\_  
 REFER TO CH00-0250-016  
 FINISH \_\_\_\_\_  
 REFER TO CH00-0250-016  
 ANGLE \_\_\_\_\_  
 ORDER NUMBER (TABLE 1) \_\_\_\_\_  
 ENTRY SIZE (TABLE 2) \_\_\_\_\_  
 BAND TERMINATION CONFIGURATION (3)(8) \_\_\_\_\_  
 V - ONE STEP STANDARD BAND  
 W - ONE STEP MICROBAND  
 U - TWO STEP STANDARD BAND  
 FOR BNX, LEAVE BLANK  
 OPTION FIELD SEPARATOR \_\_\_\_\_  
 MODIFICATION CODE \_\_\_\_\_  
 REFER TO CH00-0250-016 (2)

### NOTES:

1. THIS PRODUCT IS DESIGNED TO TERMINATE A BRAIDED CABLE SHIELD BY MEANS OF A BAND STRAP AND A HEAT SHRINKABLE LIPPED BOOT TO A CONNECTOR.

(2) FOR ADDITIONAL DIMENSIONS, ORDERING INFORMATION AND MODIFICATIONS, SEE CH00-0250-016.

(3) SEE DRAWING BND-XXXXX FOR MORE INFORMATION.

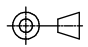


4. BACKSHELL TO BE PERMANENTLY MARKED WITH CODE IDENTIFICATION NUMBER AND FULL BASIC PART NUMBER (e.g. 06090-BND40AB00-1814). BACKSHELL TO BE MARKED WITH "BND" EVEN IF NO BAND IS ORDERED. THE BAND TERMINATION CONFIGURATION CODE IS FOR ORDERING INFORMATION ONLY AND IS NOT A PART MARKING REQUIREMENT.

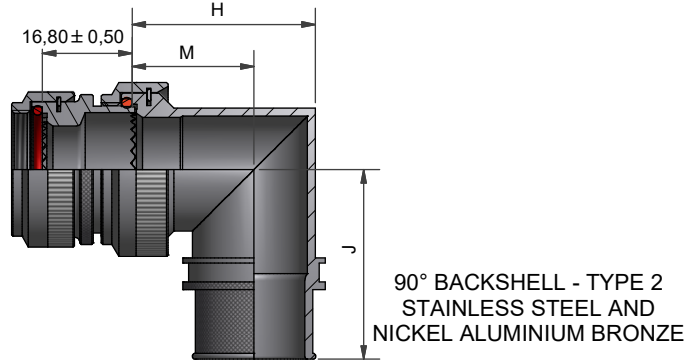
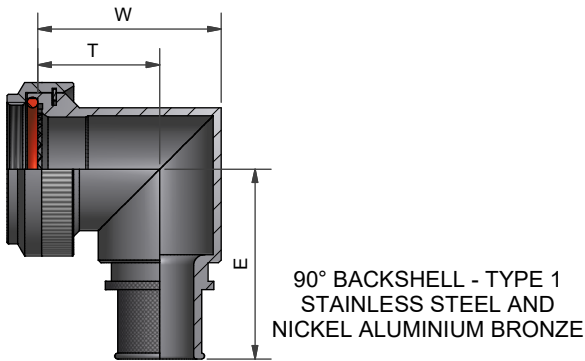
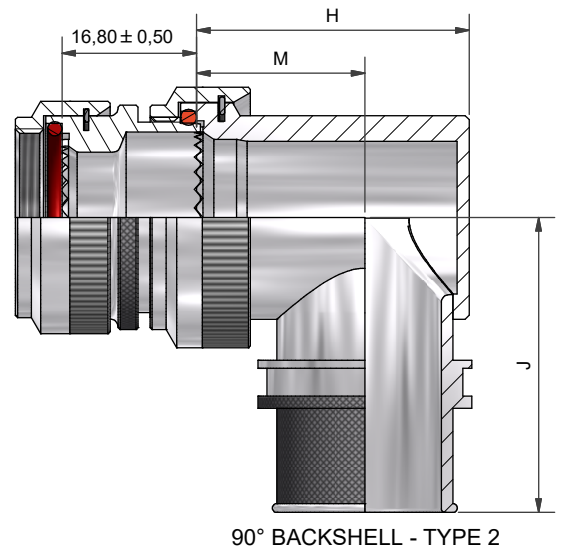
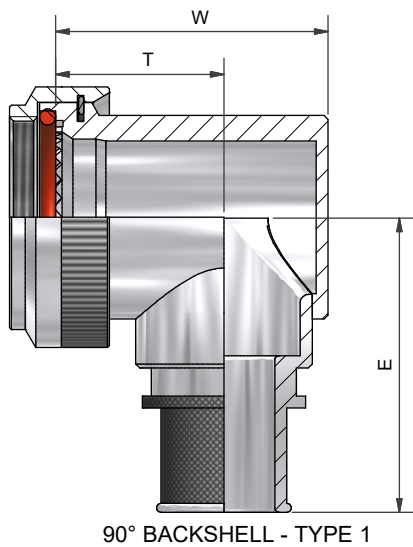
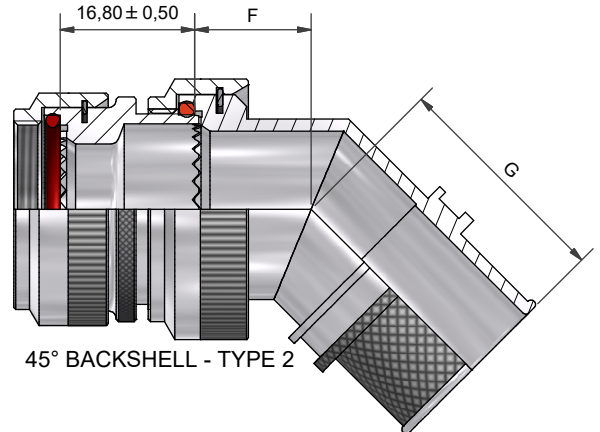
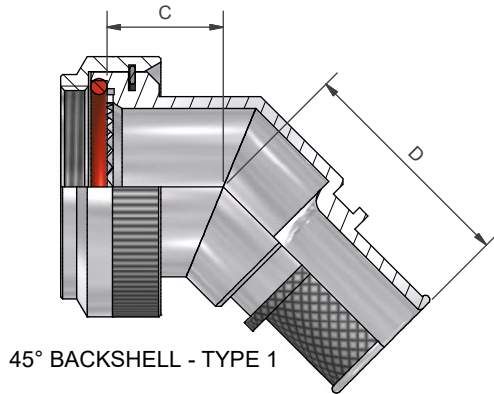
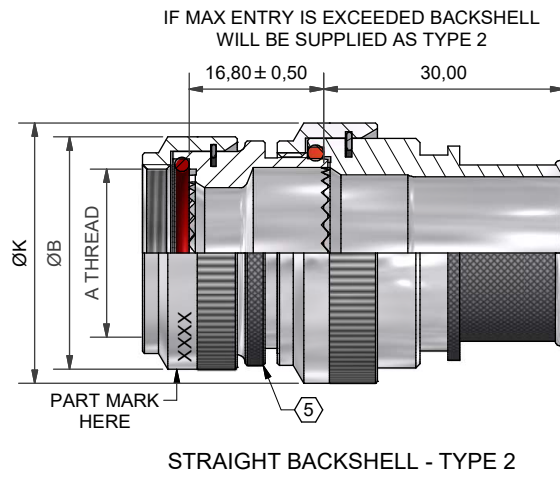
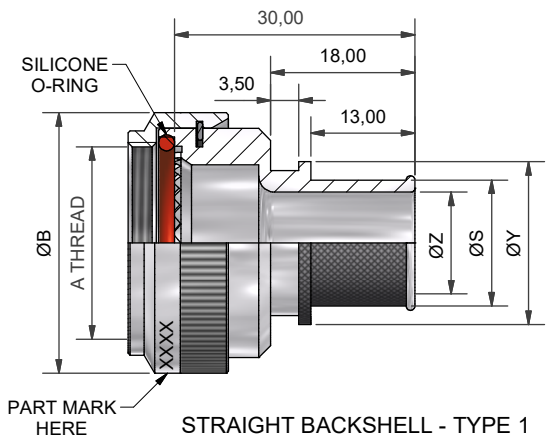
(5) ALL ENTRY SIZES ARE SHOWN IN TABLE 2. MAXIMUM ENTRY SIZES ARE SHOWN IN TABLE 1. IF MAX ENTRY IS EXCEEDED, A 2 PIECE BACKSHELL ASSEMBLY (TYPE 2) IS SUPPLIED. SEE CH00-0250-016 FOR FURTHER DETAILS.

6. BACKSHELL MATES TO MIL-DTL-38999, SERIES III AND IV, CLASS C, F, K, AND W, D38999/20, /24, /26, /40, /46 AND /47 CONNECTORS, AND WHEN SO MATED SHALL PROVIDE A WATER-TIGHT SEAL MEETING THE REQUIREMENTS OF MIL-C-85049, PARA. 3. 5. 7.

(7) THESE DIMENSIONS APPLY IF A SELF-LOCKING COUPLING NUT IS USED

(8) V AND U BANDS ARE SUITABLE FOR ENTRY SIZES 03-24, W IS SUITABLE FOR ENTRY SIZES 03-12 ONLY. CONTACT FACTORY FOR BAND OPTIONS ON LARGER ENTRY SIZES.

|  |                           |             |                 |  |  |  |                                 |                        |
|--|---------------------------|-------------|-----------------|--|--|--|---------------------------------|------------------------|
| <b>DRAWN</b>                                       | K.WINCZURA                | DATE        | 01/12/2014      | <br>3RD ANGLE PROJECTION NOT TO SCALE | <b>TITLE:</b><br><br><b>BANDING BACKSHELL</b>  | <br><b>Polanco</b><br> |                                 |                        |
| <b>CHECKED</b>                                     |                           | DATE        | 01/12/2014      |  |  |  |                                 |                        |
| <b>APPROVED</b>                                    | K.SHEPPARD                | DATE        | 08/12/2014      |  |  |  |                                 |                        |
| <b>APPROVED</b>                                    | H.SMITH                   | DATE        | 10/08/2015      |  |  |  |                                 |                        |
| <b>REVISIONS</b>                                   |                           |             |                 |  | <b>ASSY USED ON:</b><br><br><b>MIL-DTL-38999 SERIES III &amp; IV</b>   |  |                                 |                        |
| <b>LTR</b>   | <b>DESCRIPTION</b>        | <b>DATE</b> | <b>APPROVED</b> |  |  |  |                                 |                        |
| <b>F</b>   | REVISED PER ECO-15-010973 | 10/08/2015  | H.SMITH         |  |  |  |                                 |                        |
| <b>G</b>   | REVISED PER ECO-15-016545 | 17/11/2015  | H.SMITH         |  |  |  |                                 |                        |
| TE CAGE CODE: 06090<br>POLAMCO/TE CAGE CODE: U5792 |                           |             |                 |  | TE CONNECTIVITY - POLAMCO LTD RESERVES THE RIGHT TO AMEND THIS DRAWING AND THE INFORMATION SET FORTH HEREON AT ANY TIME. USERS SHOULD INDEPENDENTLY EVALUATE THE SUITABILITY OF THE PRODUCT FOR THEIR APPLICATION. | <b>DRAWING NO:</b><br><b>BND40</b>   | <b>DRAWING REV:</b><br><b>G</b> | <b>SHT</b><br><b>1</b> |



|          |            |      |            |
|----------|------------|------|------------|
| DRAWN    | K.WINCZURA | DATE | 01/12/2014 |
| CHECKED  |            | DATE | 01/12/2014 |
| APPROVED | K.SHEPPARD | DATE | 08/12/2014 |
| APPROVED | H.SMITH    | DATE | 10/08/2015 |

3RD ANGLE PROJECTION NOT TO SCALE

UNLESS OTHERWISE SPECIFIED ALL DIMENSIONS IN MILLIMETRES

GENERAL TOL  
LINEAR +/-0.25MM  
ANGULAR +/- 1°

**TITLE:**

**BANDING BACKSHELL**

**ASSY USED ON:**

**MIL-DTL-38999 SERIES III & IV**



| REVISIONS |                           |            |          |
|-----------|---------------------------|------------|----------|
| LTR       | DESCRIPTION               | DATE       | APPROVED |
| F         | REVISED PER ECO-15-010973 | 10/08/2015 | H.SMITH  |
| G         | REVISED PER ECO-15-016545 | 17/11/2015 | H.SMITH  |

TE CAGE CODE: 06090  
POLAMCO/TE CAGE CODE: U5792

|  |  |                             |                          |                 |
|--|--|-----------------------------|--------------------------|-----------------|
| TE CONNECTIVITY - POLAMCO LTD RESERVES THE RIGHT TO AMEND THIS DRAWING AND THE INFORMATION SET FORTH HEREON AT ANY TIME. USERS SHOULD INDEPENDENTLY EVALUATE THE SUITABILITY OF THE PRODUCT FOR THEIR APPLICATION. |  | DRAWING NO:<br><b>BND40</b> | DRAWING REV:<br><b>G</b> | SHT<br><b>2</b> |
|--|--|-----------------------------|--------------------------|-----------------|

# MODIFICATION S (SELF-LOCKING COUPLING NUT)

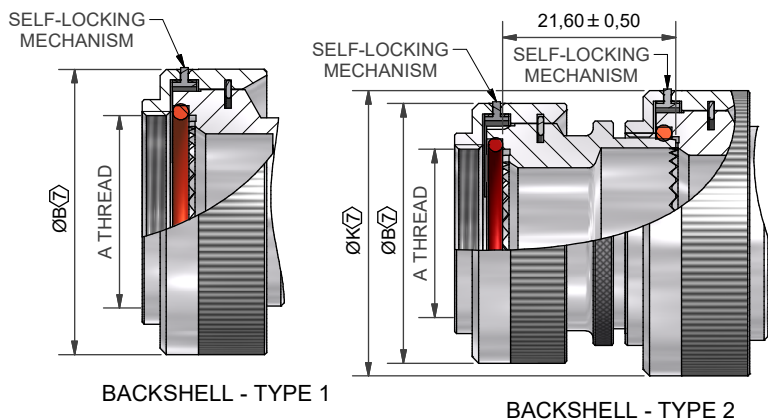


TABLE 1

| ORDER NUMBER | SHELL SIZE COM'L / MIL | A THREAD  | ØB MAX | ØB MAX (7) | MAX ENTRY | C ±0,5 | D ±0,5 | W ±0,5 | T ±0,5 | E ±0,5 | THESE DIMENSIONS APPLY IF BACKSHELL IS STAINLESS STEEL OR NICKEL ALUMINIUM BRONZE |        |        |
|--------------|------------------------|-----------|--------|------------|-----------|--------|--------|--------|--------|--------|---|--------|--------|
|              |                        |           |        |            |           |        |        |        |        |        | W ±0,5  | T ±0,5 | E ±0,5 |
| 08           | 9 / A                  | M12 × 1.0 | 18,0   | 21,5       | 04        | 12,0   | 25,1   | 21,0   | 14,0   | 30,0   | 21,2  | 16,3   | 29,0   |
| 10           | 11 / B                 | M15 × 1.0 | 21,0   | 24,6       | 07        | 12,5   | 26,2   | 24,0   | 15,5   | 32,0   | 24,3  | 17,2   | 31,2   |
| 12           | 13 / C                 | M18 × 1.0 | 24,5   | 28,3       | 09        | 13,1   | 26,6   | 27,0   | 17,0   | 33,5   | 28,3  | 19,4   | 33,0   |
| 14           | 15 / D                 | M22 × 1.0 | 29,0   | 32,4       | 10        | 13,5   | 27,5   | 31,0   | 19,5   | 35,4   | 31,1  | 21,0   | 34,9   |
| 16           | 17 / E                 | M25 × 1.0 | 32,5   | 35,6       | 12        | 14,5   | 28,3   | 34,0   | 21,0   | 36,7   | 34,2  | 22,8   | 35,5   |
| 18           | 19 / F                 | M28 × 1.0 | 35,5   | 38,5       | 14        | 15,5   | 28,8   | 35,0   | 20,0   | 38,3   | 38,5  | 25,3   | 37,2   |
| 20           | 21 / G                 | M31 × 1.0 | 37,0   | 41,7       | 16        | 16,1   | 29,7   | 38,0   | 21,5   | 40,0   | 40,7  | 26,1   | 38,7   |
| 22           | 23 / H                 | M34 × 1.0 | 40,0   | 43,9       | 18        | 16,5   | 30,0   | 42,0   | 24,0   | 41,6   | 43,7  | 27,6   | 40,2   |
| 24           | 25 / J                 | M37 × 1.0 | 43,5   | 47,0       | 20        | 17,0   | 30,9   | 45,0   | 25,5   | 43,0   | 46,4  | 29,1   | 44,9   |

TABLE 2

| ENTRY SIZE | ØZ MIN | ØS MAX | ØY MAX | ØK MAX | ØK MAX (7) | F ±0,5 | G ±0,5 | H ±0,5 | M ±0,5 | J ±0,5 | THESE DIMENSIONS APPLY IF BACKSHELL IS STAINLESS STEEL OR NICKEL ALUMINIUM BRONZE |        |        |
|------------|--------|--------|--------|--------|------------|--------|--------|--------|--------|--------|---|--------|--------|
|            |        |        |        |        |            |        |        |        |        |        | H ±0,5  | M ±0,5 | J ±0,5 |
| 03         | 4,7    | 7,8    | 14,0   | NA     | NA         | NA     | NA     | NA     | NA     | NA     | NA  | NA     | NA     |
| 04         | 6,3    | 9,4    | 14,0   | NA     | NA         | NA     | NA     | NA     | NA     | NA     | NA  | NA     | NA     |
| 05         | 7,9    | 11,0   | 15,5   | 21,0   | 24,6       | 12,5   | 26,2   | 24,0   | 15,5   | 32,0   | 24,3  | 17,2   | 31,2   |
| 06         | 9,5    | 12,5   | 17,2   | 21,0   | 24,6       | 12,5   | 26,2   | 24,0   | 15,5   | 32,0   | 24,3  | 17,2   | 31,2   |
| 07         | 11,1   | 14,1   | 18,7   | 21,0   | 24,6       | 12,5   | 26,2   | 24,0   | 15,5   | 32,0   | 24,3  | 17,2   | 31,2   |
| 08         | 12,7   | 15,7   | 20,3   | 24,5   | 28,3       | 13,1   | 26,6   | 27,0   | 17,0   | 33,5   | 28,3  | 19,4   | 33,0   |
| 09         | 14,2   | 17,3   | 21,9   | 24,5   | 28,3       | 13,1   | 26,6   | 27,0   | 17,0   | 33,5   | 28,3  | 19,4   | 33,0   |
| 10         | 15,8   | 18,8   | 23,5   | 29,0   | 32,4       | 13,5   | 27,5   | 31,0   | 19,5   | 35,4   | 31,1  | 21,0   | 34,9   |
| 11         | 17,4   | 20,5   | 25,1   | 32,5   | 35,6       | 14,5   | 28,3   | 34,0   | 21,0   | 36,7   | 34,2  | 22,8   | 35,5   |
| 12         | 19,0   | 22,0   | 26,7   | 32,5   | 35,6       | 14,5   | 28,3   | 34,0   | 21,0   | 36,7   | 34,2  | 22,8   | 35,5   |
| 13         | 20,6   | 23,6   | 28,3   | 35,5   | 38,5       | 15,5   | 28,8   | 35,0   | 20,0   | 38,3   | 38,5  | 25,3   | 37,2   |
| 14         | 22,2   | 25,2   | 29,9   | 35,5   | 38,5       | 15,5   | 28,8   | 35,0   | 20,0   | 38,3   | 38,5  | 25,3   | 37,2   |
| 15         | 23,8   | 26,8   | 31,5   | 37,0   | 41,7       | 16,1   | 29,7   | 38,0   | 21,5   | 40,0   | 40,7  | 26,1   | 38,7   |
| 16         | 25,4   | 28,4   | 33,1   | 37,0   | 41,7       | 16,1   | 29,7   | 38,0   | 21,5   | 40,0   | 40,7  | 26,1   | 38,7   |
| 18         | 28,6   | 30,0   | 36,3   | 40,0   | 43,9       | 16,5   | 30,0   | 42,0   | 24,0   | 41,6   | 43,7  | 27,6   | 40,2   |
| 20         | 31,8   | 34,8   | 39,5   | 43,5   | 47,0       | 17,0   | 30,9   | 45,0   | 25,5   | 43,0   | 46,4  | 29,1   | 44,9   |
| 22         | 35,0   | 38,0   | 42,7   | 48,5   | 50,0       | 18,5   | 31,3   | 54,5   | 31,0   | 45,1   | 50,0  | 31,0   | 45,1   |
| 24         | 38,1   | 41,1   | 45,9   | 52,1   | 56,0       | 21,9   | 32,8   | 58,0   | 33,0   | 51,1   | 53,5  | 33,0   | 51,1   |
| 26 (8)     | 41,3   | 44,3   | 49,1   | 56,6   | 61,3       | 25,7   | 32,8   | 62,5   | 35,0   | 51,1   | 58,0  | 35,0   | 51,1   |
| 28 (8)     | 44,5   | 47,5   | 52,3   | 63,0   | 64,5       | 26,9   | 33,8   | 65,5   | 34,5   | 54,1   | 61,0  | 34,5   | 54,1   |
| 30 (8)     | 47,6   | 50,7   | 55,6   | 75,5   | 80,2       | 29,2   | 34,4   | 69,0   | 36,0   | 57,4   | 64,5  | 36,0   | 57,4   |
| 32 (8)     | 50,8   | 53,8   | 58,5   | 75,5   | 80,2       | 29,2   | 34,4   | 72,0   | 37,5   | 57,4   | 67,5  | 37,5   | 57,4   |
| 34 (8)     | 54,0   | 57,0   | 61,8   | 75,5   | 80,2       | 29,2   | 34,4   | 75,5   | 39,0   | 57,4   | 71,0  | 39,0   | 57,4   |

|  |                           |                    |   |  |  |   |                 |
|--|---------------------------|--------------------|---|--|--|---|-----------------|
| DRAWN  | K.WINCZURA                | DATE<br>01/12/2014 | <br>3RD ANGLE PROJECTION<br>NOT TO SCALE  | <b>TITLE:</b>  | <h2 style="margin: 0;">BANDING BACKSHELL</h2> <p style="margin: 10px 0 0 0;">ASSY USED ON:</p> <h3 style="margin: 0;">MIL-DTL-38999 SERIES III &amp; IV</h3> | <br><b>Polamco</b><br><br>TE connectivity |                 |
| CHECKED  |                           | 01/12/2014         | UNLESS OTHERWISE SPECIFIED<br>ALL DIMENSIONS IN MILLIMETRES<br><b>GENERAL TOL</b><br>LINEAR +/-0,25MM<br>ANGULAR +/- 1° | <b>TITLE:</b>  |  |   |                 |
| APPROVED   | K.SHEPPARD                | 08/12/2014         |   | <b>TITLE:</b>  |  |   |                 |
| APPROVED   | H.SMITH                   | 10/08/2015         |   | <b>TITLE:</b>  |  |   |                 |
| <b>REVISIONS</b>                                   |                           |                    |   |  |  |   |                 |
| LTR  | DESCRIPTION               | DATE               | APPROVED  |  |  |   |                 |
| F  | REVISED PER ECO-15-010973 | 10/08/2015         | H.SMITH   |  |  |   |                 |
| G  | REVISED PER ECO-15-016545 | 17/11/2015         | H.SMITH   |  |  |   |                 |
| TE CAGE CODE: 06090<br>POLAMCO/TE CAGE CODE: U5792 |                           |                    |   | TE CONNECTIVITY - POLAMCO LTD RESERVES THE RIGHT TO AMEND THIS DRAWING AND THE INFORMATION SET FORTH HEREON AT ANY TIME. USERS SHOULD INDEPENDENTLY EVALUATE THE SUITABILITY OF THE PRODUCT FOR THEIR APPLICATION. | DRAWING NO:<br><b>BND40</b>  | DRAWING REV:<br><b>G</b>                  | SHT<br><b>3</b> |

## X-ON Electronics

Largest Supplier of Electrical and Electronic Components

*Click to view similar products for [Circular MIL Spec Backshells](#) category:*

*Click to view products by [TE Connectivity](#) manufacturer:*

Other Similar products are found below :

[5M2920-3CW](#) [60-036152-022](#) [610HS012M15](#) [M28840/504WA](#) [M28840/805WB](#) [M28840/809WA](#) [M28840/815WA](#) [M28840/816WA](#)  
[627AS017M14](#) [627MA124M14S](#) [655HS002NF11](#) [CW3899-000](#) [M85049/10-134S](#) [M85049/10-17S](#) [M85049/10-33S](#) [M85049/10-94W](#)  
[M85049/11-28N](#) [M85049/11-37N](#) [M85049/11-53N](#) [M85049/11-63N](#) [M85049/120-14W](#) [M85049/124-23W](#) [M85049/1720N04B](#)  
[M85049/1821W05C](#) [M85049/1825W06C](#) [M85049/1919N05](#) [M85049/23-74W](#) [M85049/24-71N](#) [M85049/25-47N](#) [M85049/25-94W](#)  
[M85049/27S12N](#) [M85049/39-11S](#) [M85049/39-17S](#) [M85049/39-9S](#) [M85049/6-10B](#) [M85049/6-19N](#) [M85049/6-20B](#) [M85049/77-20W04](#)  
[M85049/78-11N03](#) [M85049/78-15W02](#) [M85049/78-17N04](#) [M85049/78-19N05](#) [M85049/79-19N07](#) [M85049/79-25N04](#) [M85049/82-18N02](#)  
[M85049/82-22P02](#) [M85049/83-10W03](#) [M85049/84-20N03](#) [M85049/8-48N](#) [M85049/85-24N01](#)