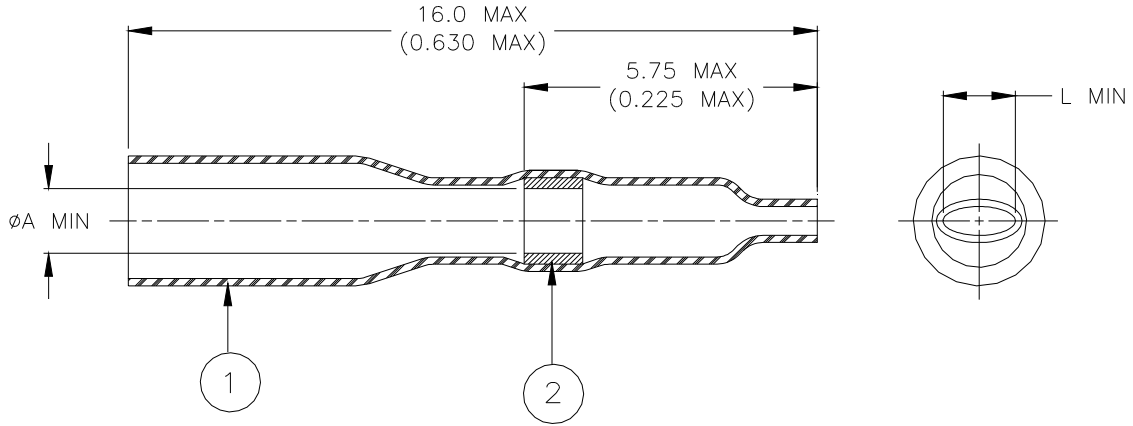


SPECIFICATION CONTROL DRAWING



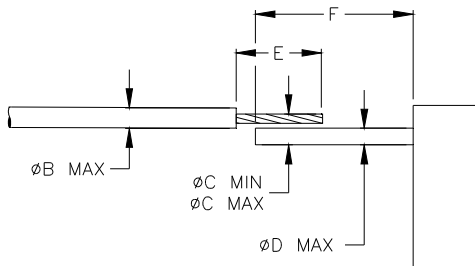
Product Revision		Product Dimensions		Wire and Pin Dimensions			
Product Name		øA min	L min	øB max	øC min	øC max	øD max
CWT-1501	A	1.5 (0.060)	1.5 (0.060)	2.0 (0.080)	0.9 (0.035)	1.5 (0.060)	0.6 (0.025)
CWT-1502	A	2.3 (0.090)	2.3 (0.090)	2.9 (0.115)	1.1 (0.045)	2.3 (0.090)	0.9 (0.035)
CWT-1503	A	2.8 (0.110)	2.8 (0.110)	3.2 (0.125)	1.6 (0.065)	2.8 (0.110)	1.2 (0.045)
CWT-1504	A	3.8 (0.150)	3.8 (0.150)	4.5 (0.180)	1.8 (0.070)	3.8 (0.150)	1.5 (0.060)

MATERIALS

- INSULATION SLEEVE: Heat-shrinkable, transparent clear, radiation cross-linked modified polyolefin.
- SOLDER PREFORM WITH FLUX:
 SOLDER: TYPE Cd18 per ANSI-J-STD-006.
 FLUX: TYPE ROM1 per ANSI-J-STD-004.

APPLICATION

- These controlled soldering devices are designed for termination of a wire to the lead of electrical component or to the terminal of a connector.
- Temperature range: -55°C to +125°C.
- For installation procedure and application equipment, consult RPIP-824-00
 For best results, prepare the cable as shown:



Stripping Dimensions

- Wires smaller than AWG 18:
 E: 6.5±0.5
 F: 8.0±0.5
- Wires AWG 18 and larger:
 E: 9.5±0.5
 F: 11.0±0.5

		Raychem TE Connectivity 300 Constitutional Drive Menlo Park, CA 94025 USA		TITLE : <h2 style="text-align: center;">Solder Sleeve One Step Wire Terminator Low Temperature</h2>			
UNLESS OTHERWISE SPECIFIED DIMENSIONS ARE IN MILLIMETERS. INCHES DIMENSIONS ARE BETWEEN BRACKETS.				DOCUMENT NO.: CWT-150X			
TOLERANCES: 0.00 N/A 0.0 N/A 0 N/A	ANGLES: N/A ROUGHNESS IN MICRON	TE Connectivity reserves the right to amend this drawing at any time. Users should evaluate the suitability of the product for their application.		DATE: <h3 style="text-align: center;">15-Apr-11</h3>	DOC ISSUE: <h3 style="text-align: center;">7</h3>		
DRAWN BY: M. FORONDA	CAGE CODE: 06090	REPLACES: D980899	DCR NUMBER: D010038	PROD. REV.: SEE TABLE	SCALE: None	SIZE: A	SHEET: 1 of 1

X-ON Electronics

Largest Supplier of Electrical and Electronic Components

Click to view similar products for [Solder Sleeves & Shield Tubing](#) category:

Click to view products by [TE Connectivity](#) manufacturer:

Other Similar products are found below :

[899170-000](#) [620040N001](#) [620069N003](#) [CTA-0050-01](#) [629624-000](#) [6500750004](#) [6501390002](#) [CX0781-000](#) [696396-000](#) [697080-000](#) [D-150-0331CS2902](#) [D-181-1222-90/9CS2800](#) [D-300-01CS1108](#) [715325N001](#) [908357N001](#) [982127-1](#) [D-436-0182CS246](#) [D-436-37CS2651](#) [D-436-61CS246](#) [D-436-82-CS2621](#) [D-659-0087](#) [E53797N001](#) [CB0213-000](#) [CB0219-000](#) [S200-2-01](#) [S200-4-00CS2904](#) [LSS-81-16AA-CS5575](#) [ST18-2-00](#) [FLX40-020-04-CS8651](#) [325534-000](#) [CTA-0025](#) [D-108-07CS436](#) [D-128-0010](#) [D-141-0108CS404](#) [D-144-41CS1371](#) [D-150-0231-NRCS2896](#) [D-150-1011](#) [395947-000](#) [427243N001](#) [B-801-18-01](#) [515-9](#) [C67137-000](#) [CB0220-000](#) [D-436-0185CS1102](#) [D-436-36CS2908](#) [D-436-37CS2908](#) [D-436-52CS246](#) [D44133N001](#) [LSS-26-8A](#) [626168-000](#)