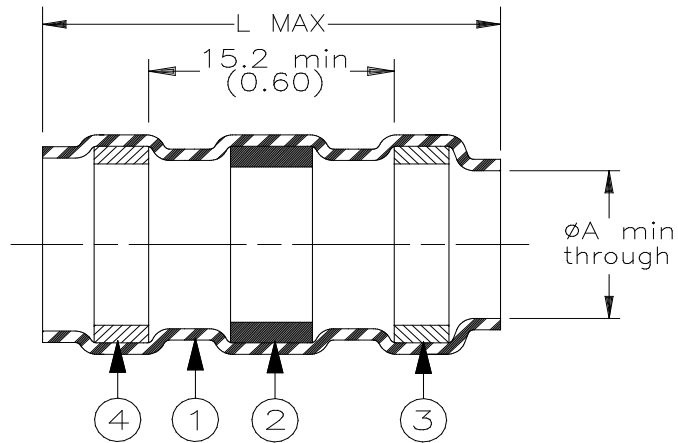


CUSTOMER DRAWING



Product Name	Product Dimensions		Cable Dimensions		
	L max	A min	B max	C min	D min
CWT-3801	26 (1.025)	1.7 (0.065)	1.7 (0.065)	0.9 (0.035)	0.4 (0.015)
CWT-3802	26 (1.025)	1.95 (0.075)	1.95 (0.075)	1.1 (0.045)	0.6 (0.025)
CWT-3803	42.0 (1.655)	2.7 (0.105)	2.7 (0.105)	1.8 (0.070)	1.3 (0.050)
CWT-3805	42.0 (1.655)	4.5 (0.180)	4.5 (0.180)	2.3 (0.090)	1.8 (0.070)
CWT-3806	42.0 (1.655)	6.0 (0.235)	6.0 (0.235)	3.3 (0.130)	2.8 (0.110)
CWT-3807	42.0 (1.655)	7.0 (0.275)	7.0 (0.275)	3.7 (0.145)	3.2 (0.125)
CWT-3809	42.0 (1.655)	8.7 (0.340)	8.7 (0.340)	4.2 (0.165)	3.7 (0.145)
CWT-3810	42.0 (1.655)	9.7 (0.382)	9.7 (0.382)	6.8 (0.268)	6.0 (0.236)
CWT-3811	42.0 (1.655)	10.7 (0.420)	10.7 (0.420)	7.1 (0.280)	6.6 (0.260)
CWT-3813	42.0 (1.655)	13.0 (0.510)	13.0 (0.510)	8.9 (0.350)	8.4 (0.330)

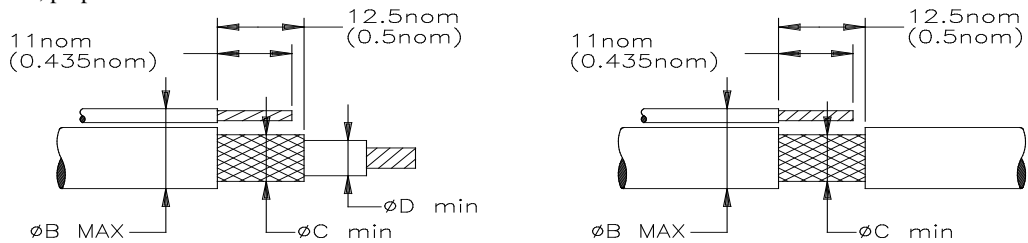
MATERIAL

- INSULATION SLEEVE: Heat-shrinkable, radiation cross-linked modified polyolefin. Transparent clear.
- SOLDER PREFORM WITH FLUX:
SOLDER: TYPE CD18 per ANSI J-STD-006.
FLUX: TYPE ROM1 per ANSI J-STD-004.
- MELTABLE RING: Thermally stabilized thermoplastic. Color: True Grey of Natural.
- MELTABLE RING: Thermally stabilized thermoplastic. Color: Blue.

APPLICATION

- These controlled soldering devices are designed for termination of a bare or tin plated copper shield on a cable, having an insulation rated for at least +85°C minimum.
- Temperature range: -55°C to +125°C.
- For installation procedure and application equipment consult RPIP-824-00 or H54286.

For best results, prepare the cable as shown:



TE Connectivity, TE connectivity (logo), Raychem, and SolderSleeve are trademarks

		Raychem Devices	TITLE: SOLDERSLEEVE ONE STEP SHIELD TERMINATOR		
UNLESS OTHERWISE SPECIFIED DIMENSIONS ARE IN MILLIMETERS. INCHES DIMENSIONS ARE BETWEEN BRACKETS.			DOCUMENT NO.: CWT-38XX		
TOLERANCES: 0.00 N/A 0.0 N/A 0 N/A	ANGLES: N/A ROUGHNESS IN MICRON	TE Connectivity reserves the right to amend this drawing at any time. Users should evaluate the suitability of the product for their application.	Revision: M		Issue Date: April 2020
DRAWN BY: M. FORONDA	CAGE CODE: 06090	DATE: 15-Nov-2017	ECO: ECO-20-004961	SCALE: None	SIZE: A
				SHEET: 1 of 1	

X-ON Electronics

Largest Supplier of Electrical and Electronic Components

Click to view similar products for [Solder Sleeves & Shield Tubing](#) category:

Click to view products by [TE Connectivity](#) manufacturer:

Other Similar products are found below :

[899170-000](#) [620040N001](#) [620263N004](#) [CTA-0050-01](#) [629624-000](#) [6500750004](#) [6501390002](#) [696396-000](#) [697080-000](#) [D-150-0331CS2902](#)
[D-300-01CS1108](#) [982127-1](#) [D-436-0182CS246](#) [D-436-37CS2651](#) [D-436-61CS246](#) [D-436-82-CS2621](#) [D-659-0087](#) [E53797N001](#) [CB0213-](#)
[000](#) [S200-2-01](#) [S200-4-00CS2904](#) [ST18-2-00](#) [FLX40-020-04-CS8651](#) [325534-000](#) [CTA-0025](#) [D-108-02CS227](#) [D-108-07CS436](#) [D-128-](#)
[0010](#) [D-141-0108CS404](#) [D-144-41CS1371](#) [D-150-0231-NRCS2896](#) [B-801-18-01](#) [515-9](#) [C67137-000](#) [C76473N001](#) [CB0220-000](#) [D-436-](#)
[0185CS1102](#) [D-436-36CS2908](#) [D-436-37CS2908](#) [D-436-52CS246](#) [D44133N001](#) [LSS-26-8A](#) [626168-000](#) [D-106-2012](#) [D-108-00CS227](#) [D-](#)
[300-08CS1108](#) [UWCS-2U/7.6-1C/5.8](#) [610001N004](#) [620026-000](#) [B-004-00](#)